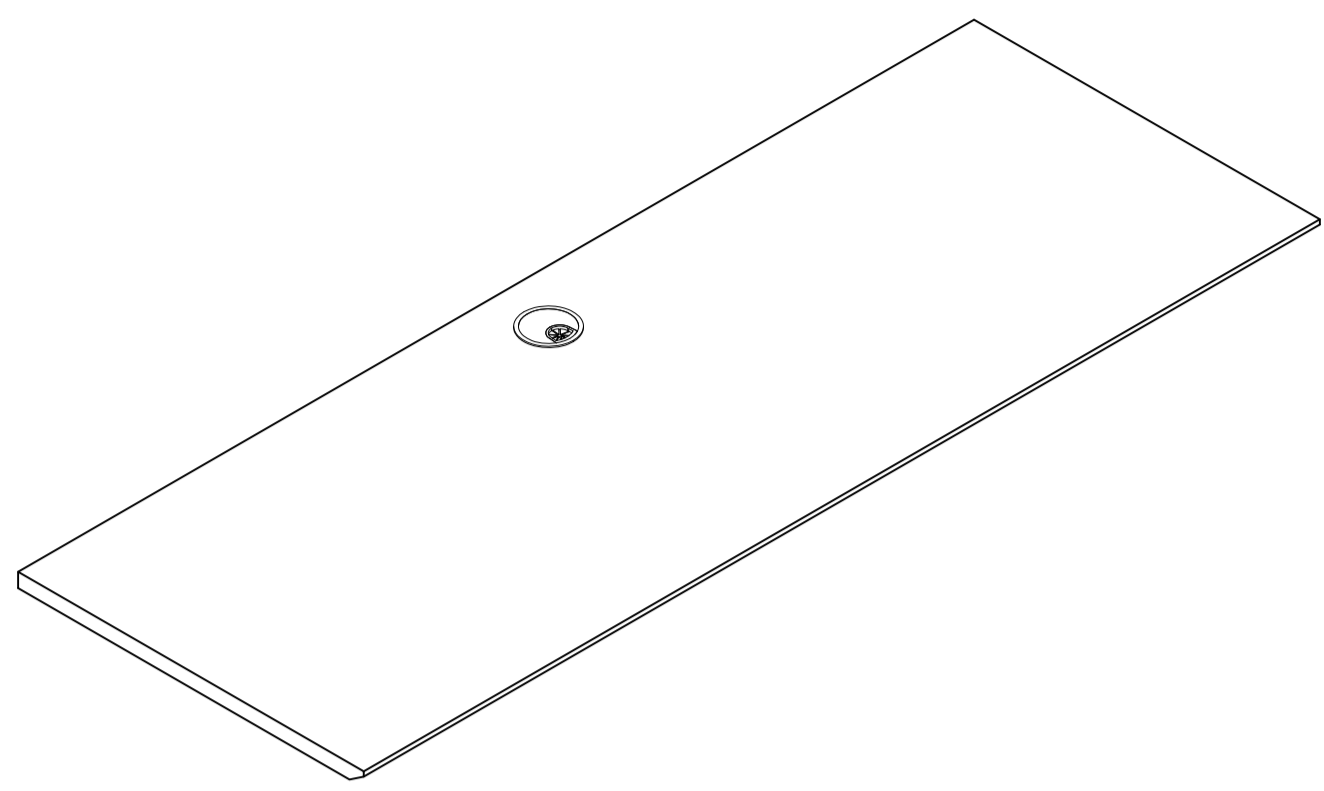
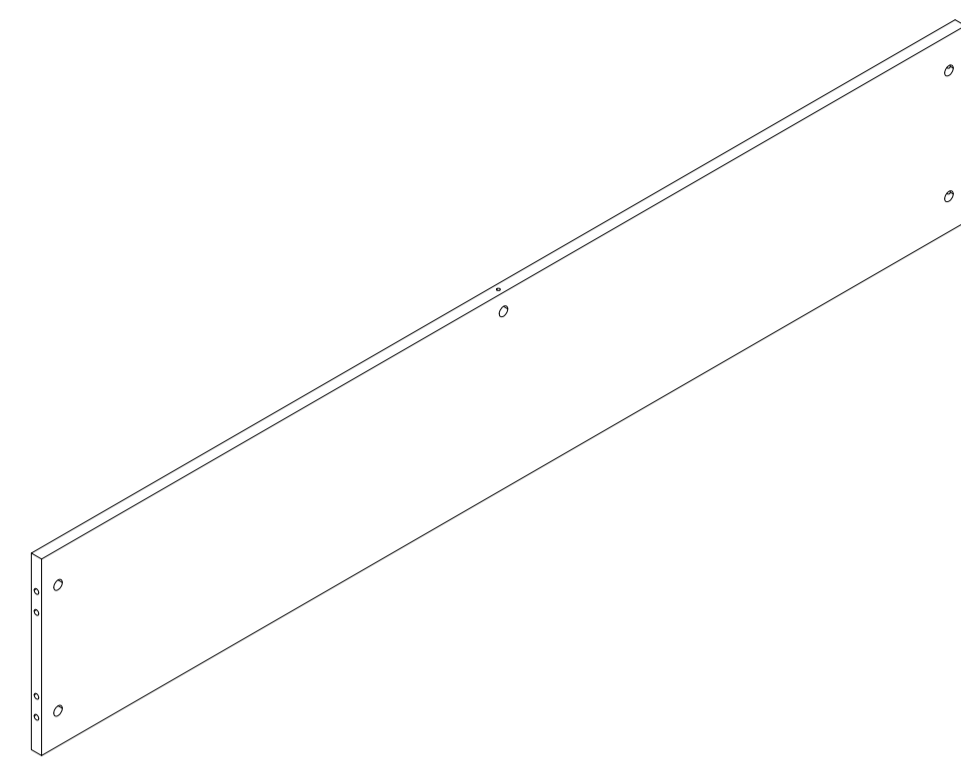


## COMPONENTS

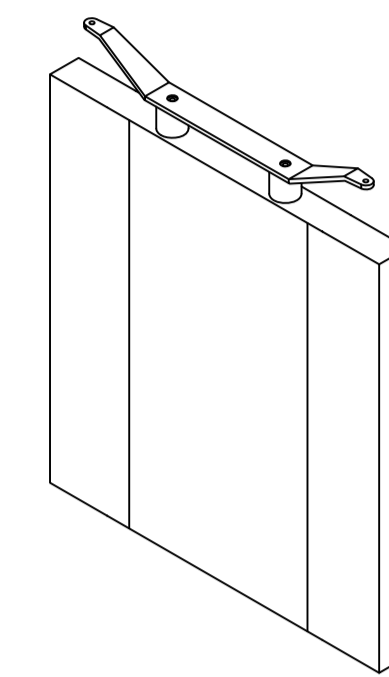
(A) Top Panel-1pc



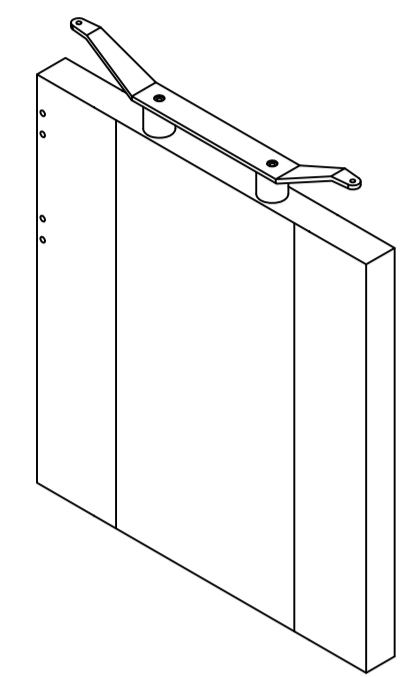
(B) Modesty Panel-1pc



(C) Left Base Leg-1pc

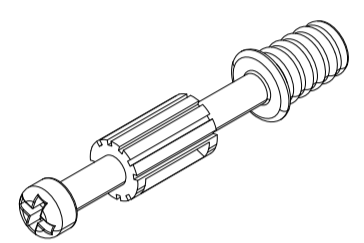


(D) Right Base Leg-1pc

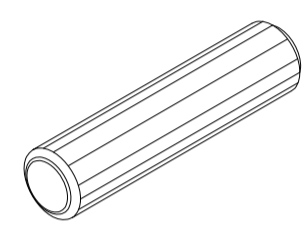


## HARDWARE & TOOLS

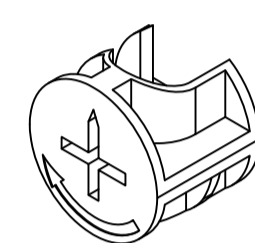
(E) Cam Post-6pcs



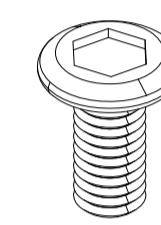
(F) Wood Dowel  
Ø8\*30mm-5pcs



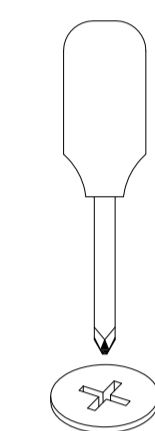
(G) Cam Lock-6pcs



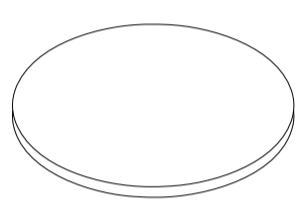
(H) Allen Screw  
M6X15mm-5pcs



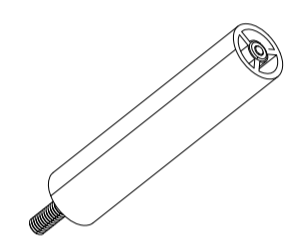
Tools Required for Assembly



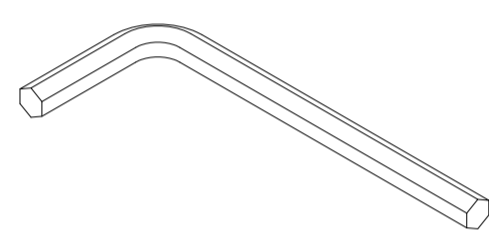
(I) Cam Sticker-6pcs



(J) Stand-off  
Ø20\*90mm-1pc



(K) Allen Wrench 4mm-1pc

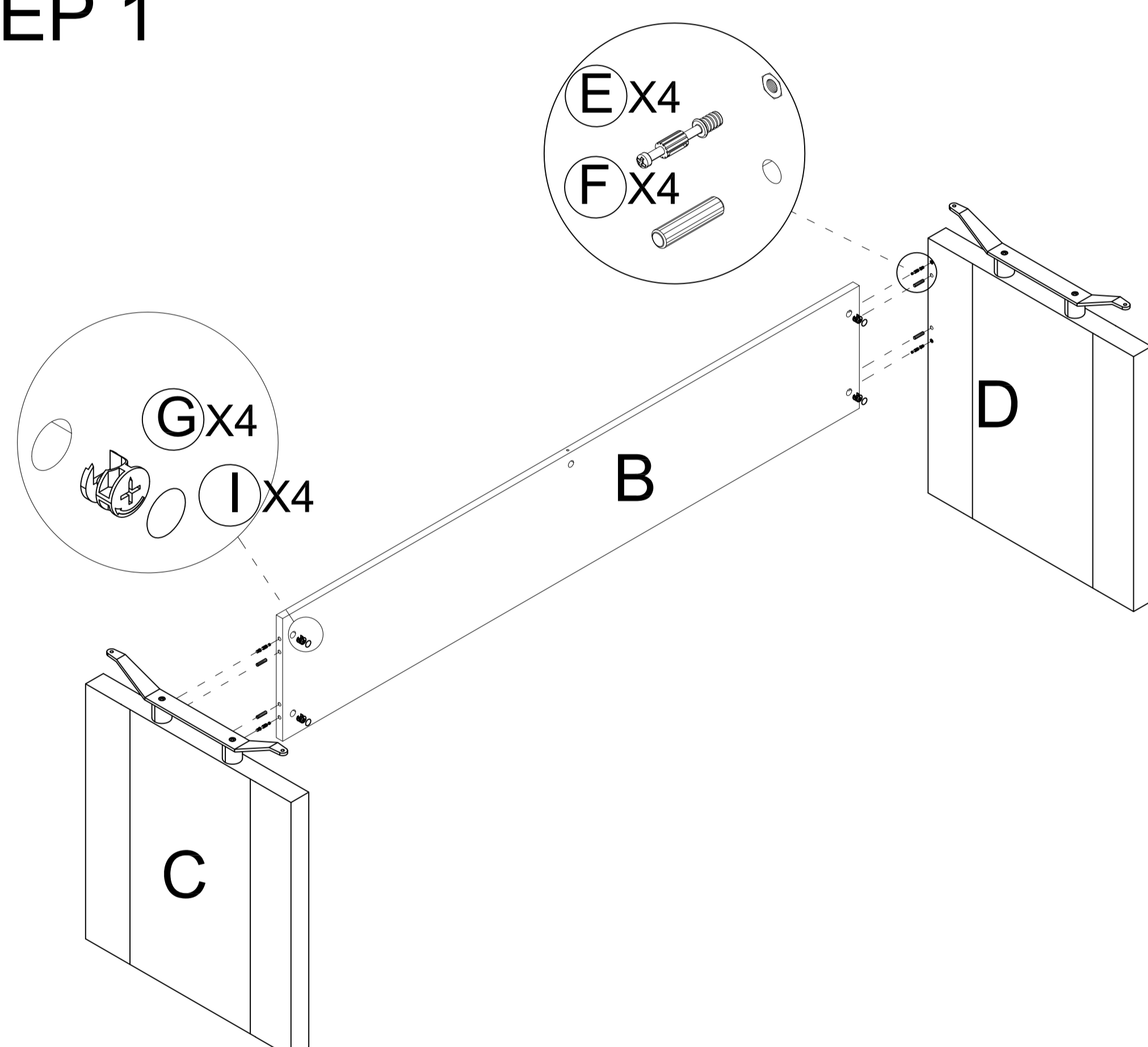


**NOTE:**  
Hardware is packed  
with carton **ALCDB**

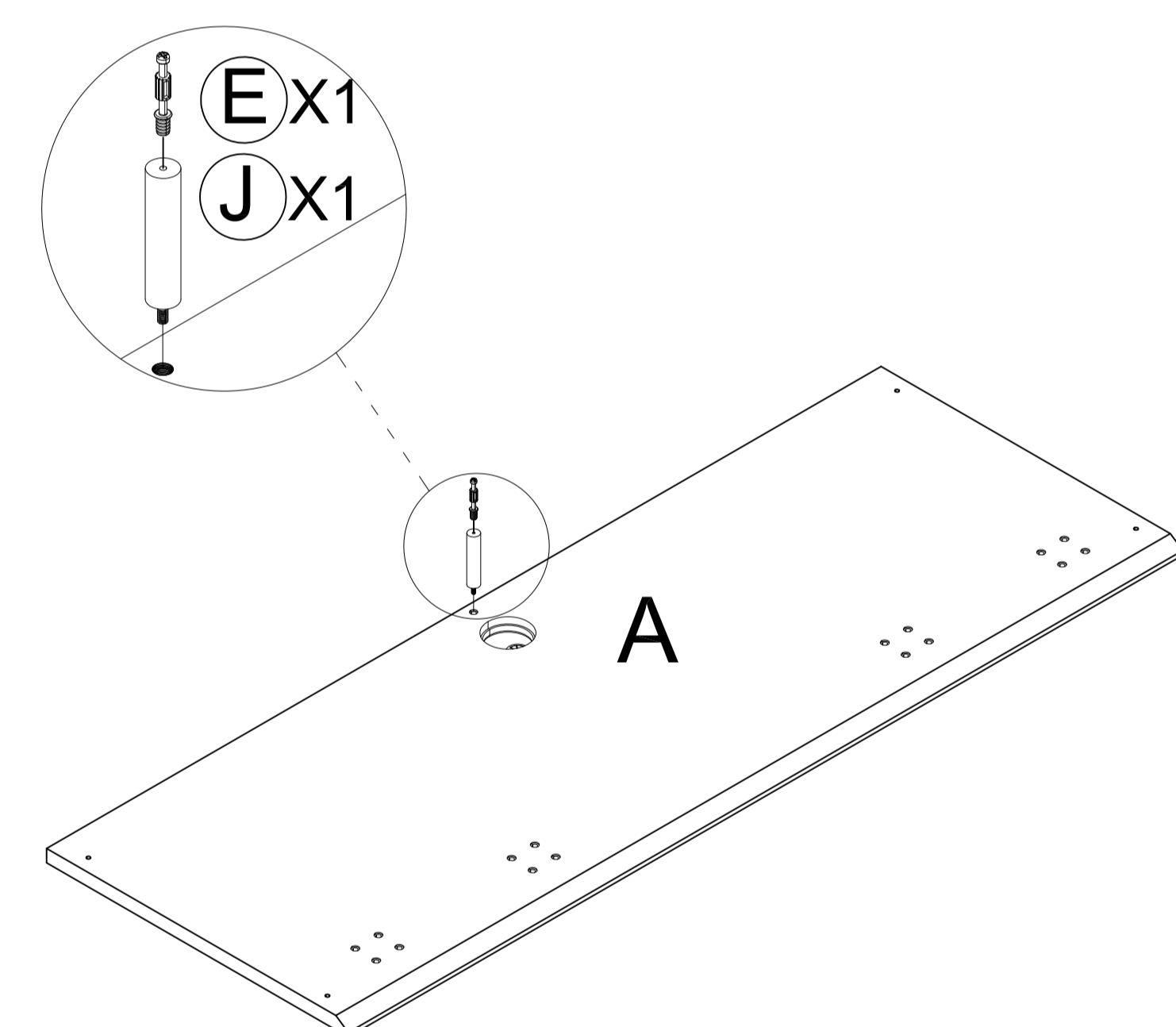
Phillips Screw Driver for  
(E) Cam Post (G) Cam Lock

## INSTRUCTIONS - Do not use power tools to assemble

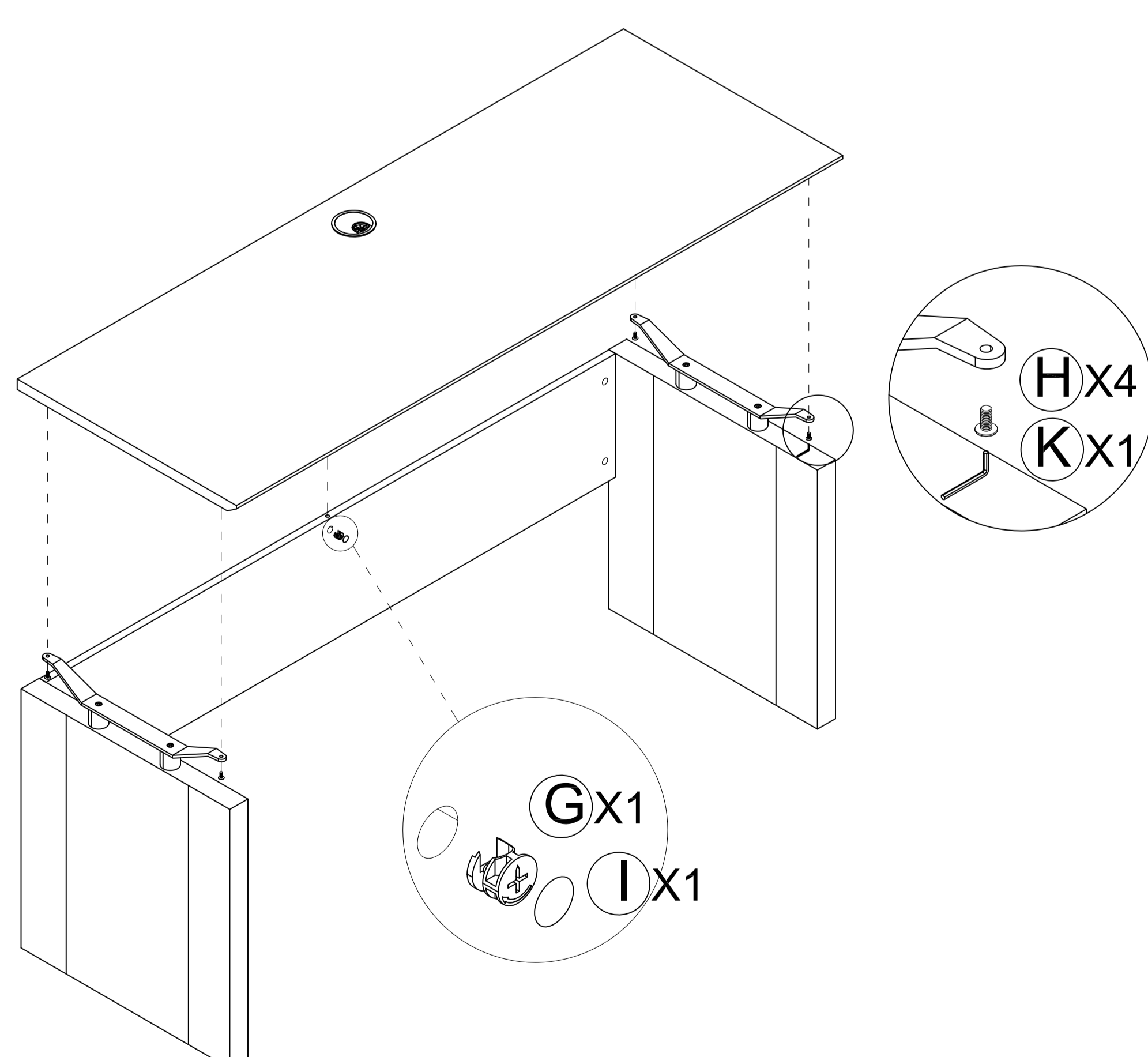
### STEP 1



### STEP 2



### STEP 3



### COMPLETED

