

WHAT TO CONSIDER WHEN SELECTING A MONITOR ARM

NUMBER OF MONITORS

ESI offers solutions for as few as one to as many as six monitors. Should the needs of the user change, the EVOLVE series can easily be modified in the field to accommodate additional monitors and changing work environments.

HEIGHT ADJUSTMENT

Monitor arms offer various types of height adjustability. The most user-friendly option is dynamic height adjustment which allows the user to adjust the monitor height quickly and easily without the need for tools.

WEIGHT OF MONITOR(S)

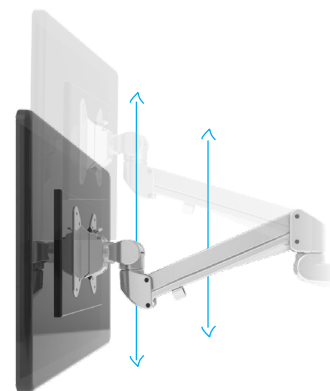
ESI's standard monitor arm configurations support the average monitor which weighs between 8-16 lbs. For heavier monitors such as Apple Cinema Displays®, iMacs® and the new VESA-compatible all-in-one PC's, ESI recommends the EDGE-MAX series.

SIZE OF MONITOR(S)

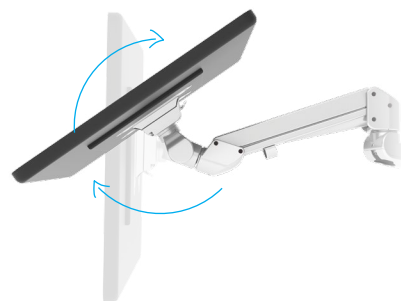
Most users prefer to have their monitors side-by-side as close as possible with no gap between them. The versatility of the ESI EVOLVE series allows up to 32" monitors to fit side-by-side. Configurations that include a SLIDER will provide additional horizontal adjustability, allowing monitors of varying sizes to fit together seamlessly.

SIZE AND SHAPE OF THE WORK SURFACE

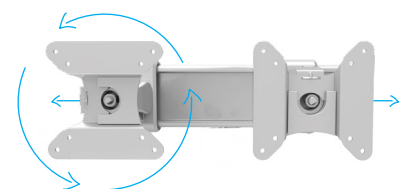
Shallow work surface depths 24" or less are best suited for monitor arm configurations with fewer limbs. For applications that require extended reach, ESI recommends an EVOLVE configuration with the maximum number of limbs. When positioning two or more monitors side-by-side in a 90° corner, the maximum monitor size will be reduced. Customer Service representatives are available to discuss your specific application and requirements.



Motion arms move your monitor straight up and down.



VESA mounts tilt up and down, providing a flat writing surface for touch screen monitors.

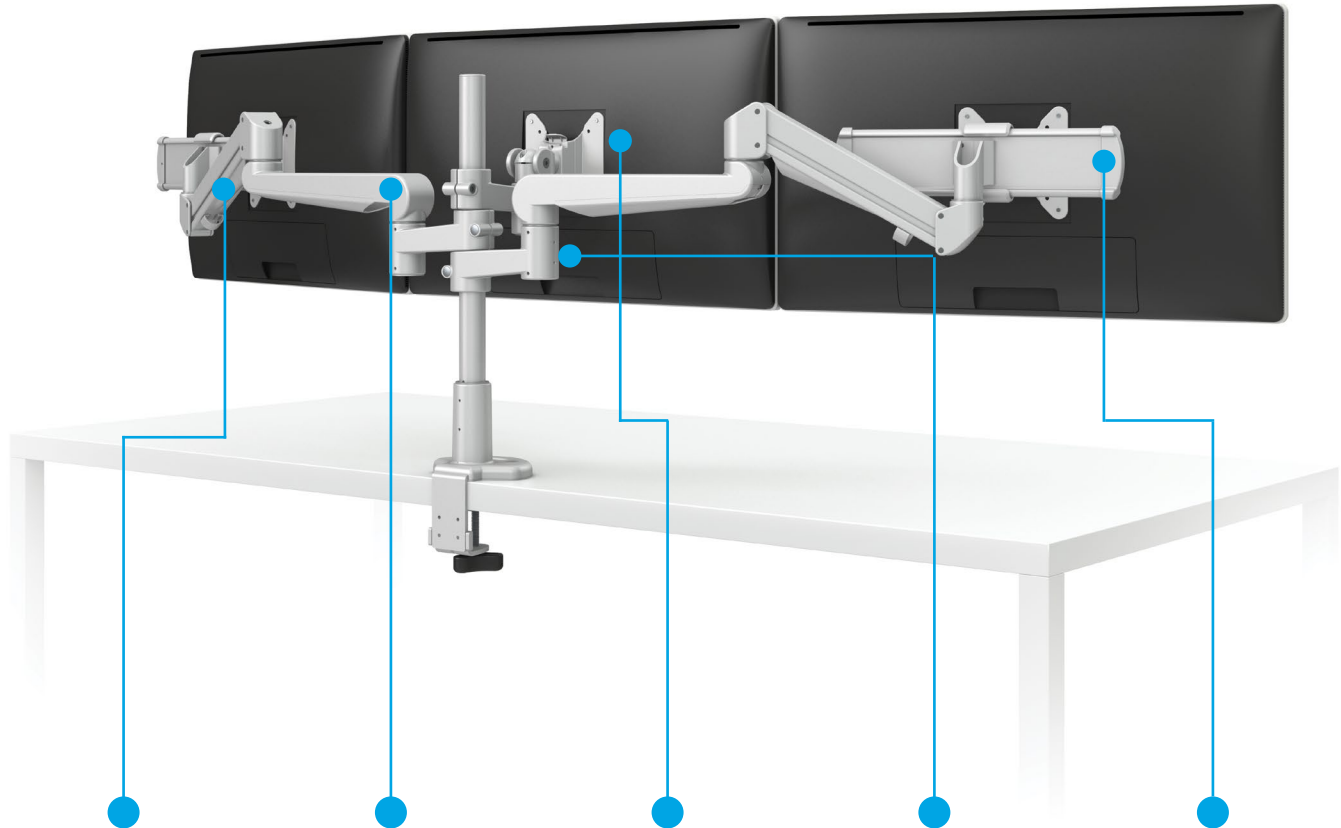


Sliders move your monitor left and right while retaining monitor tilt and +90°/-90° monitor rotation.



GROW. ADAPT. EVOLVE.

As technology advances and monitors are becoming lighter and wider, challenges are created in workstation design. The EVOLVE allows the merger of form and function with one product that will easily adapt to the fluidly changing needs of today's workplace. Whether you have a shallow or deep work surface, 1, 2, 3 or more monitors, the EVOLVE can adapt to fit your needs.



(M) MOTION
MOTION ARM

Motion arms provide 13" of dynamic height adjustment.



(F) FIXED
STRAIGHT ARM

Fixed arms provide extra reach.



VESA MOUNT
MONITOR ATTACHMENT

A VESA Mount attaches your monitor to the arm.



ARM STEM
STRAIGHT ARM

Arm Stems are included in every configuration.



(S) SLIDER MOUNT
VESA SLIDER

Sliders provide extended lateral adjustment - ideal for positioning monitors of varying sizes side-by-side.