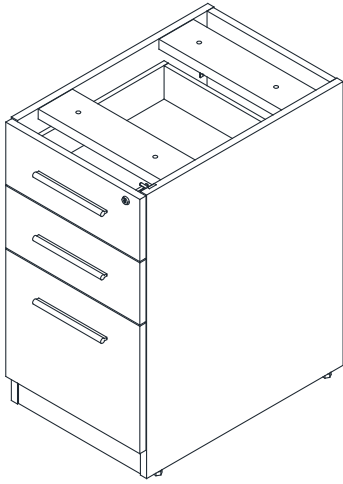
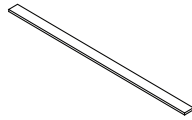
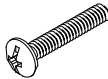
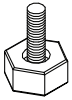


**Congratulations on the purchase of your new *Signature Series* product!**

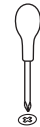


### HARDWARE & TOOLS

- Ⓐ Adjustable glide - 4pcs Ⓑ Screw M6\*40 - 4pcs Ⓒ File clip - 2pcs Ⓓ Metal bar 300\*15\*3- 1pc Ⓔ Key- 1set



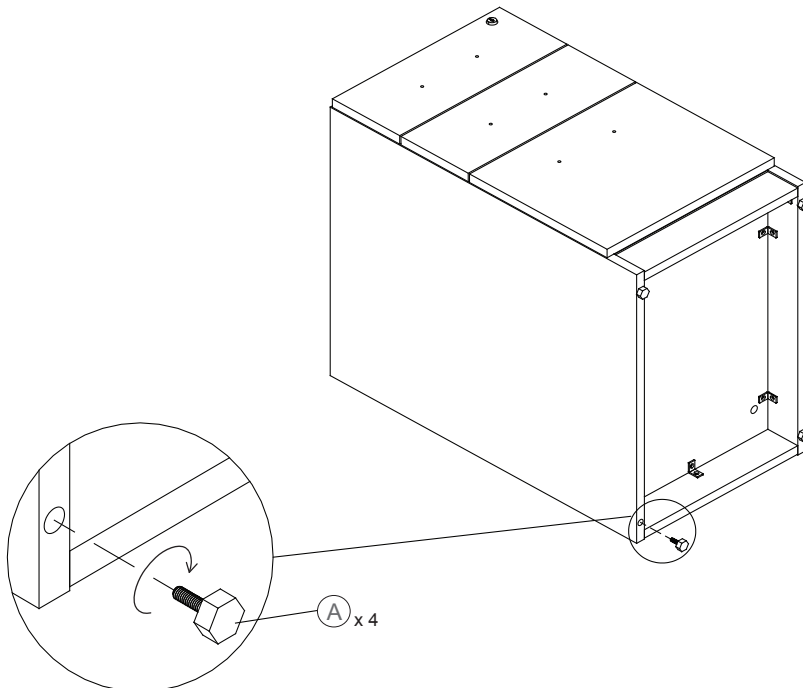
#### Tools Required for Assembly



Philips Screw Driver

### INSTRUCTIONS

#### STEP 1

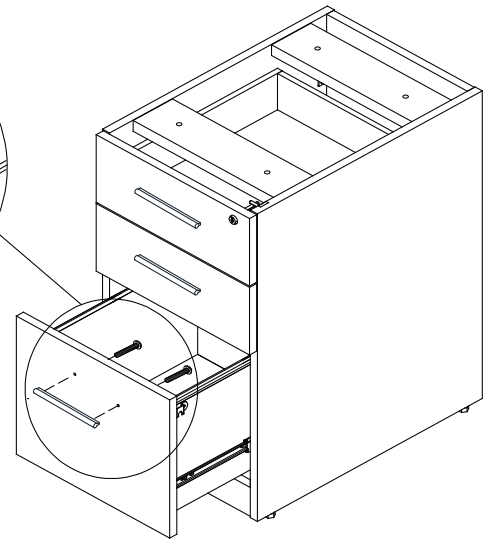
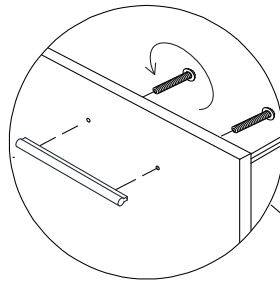
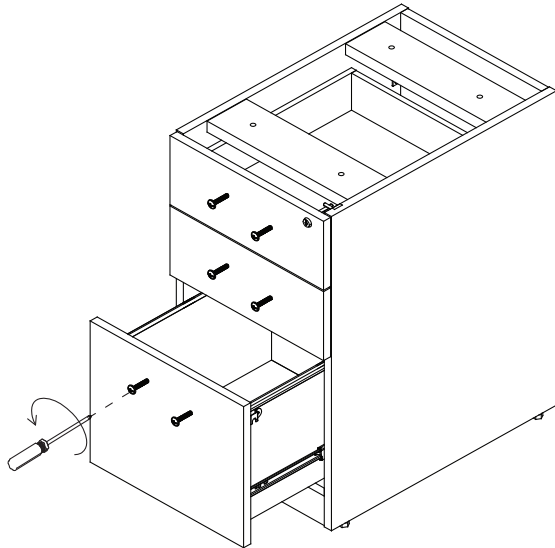


**Congratulations on the purchase of your new *Signature Series* product!**

INSTRUCTIONS

STEP 2

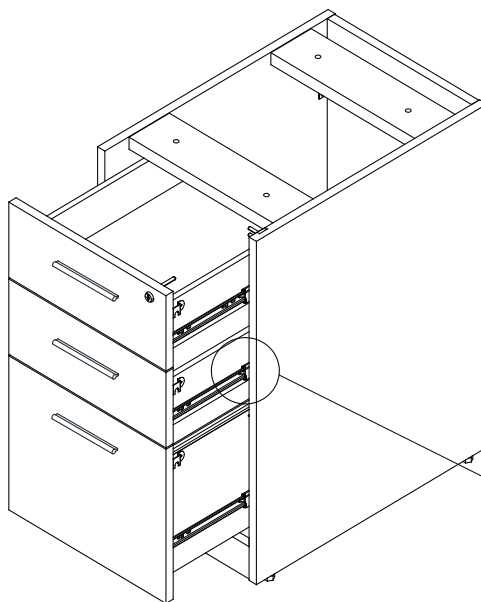
Install the handles on the front panel of drawers with screws.



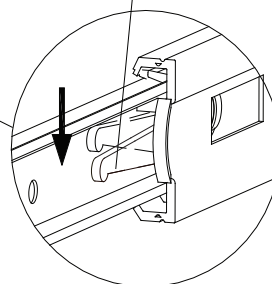
Take off the handles from back panel of drawers.

STEP 3

Press the right lever down and left lever up to take off 3 drawers



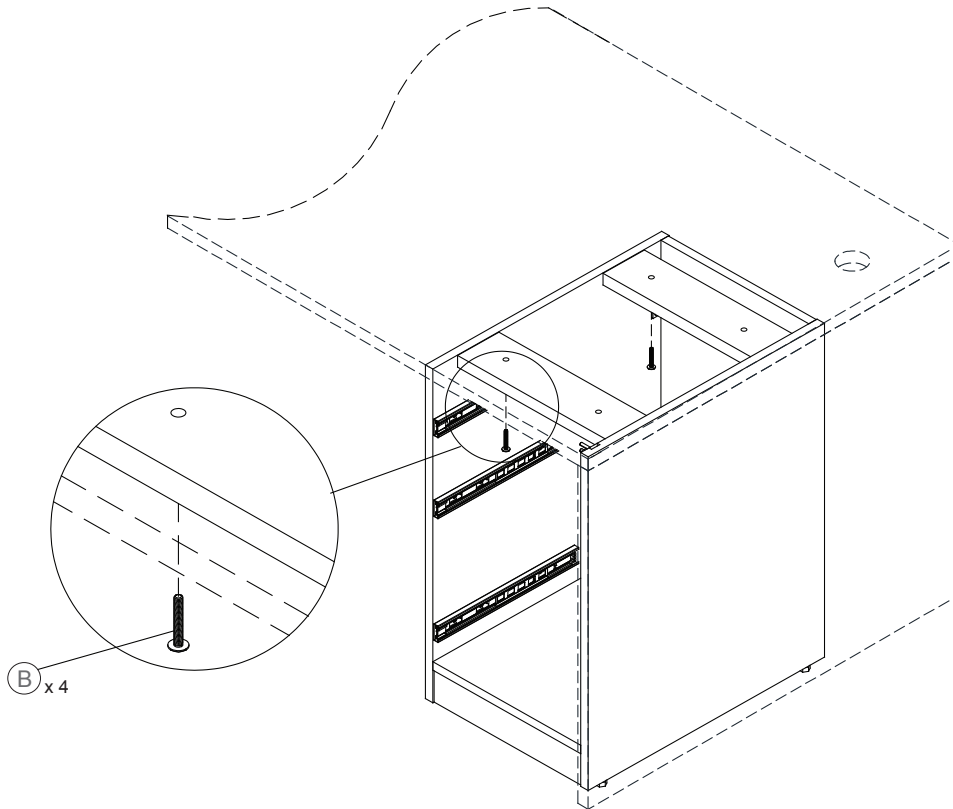
Lock Lever



**Congratulations on the purchase of your new *Signature Series* product!**

INSTRUCTIONS

STEP 4



STEP 5

