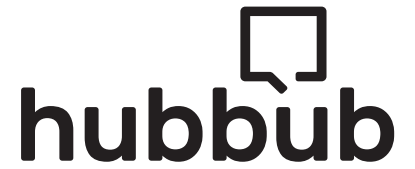
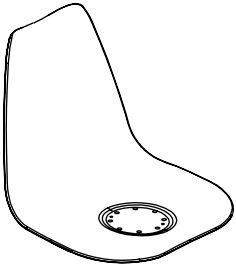


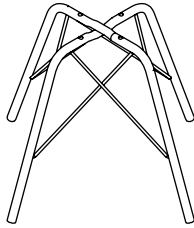
Assembly Instructions  
**Designer Chair**



**Components**



**A** Back (1)

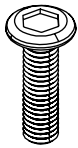


**B** Metal Base (1)

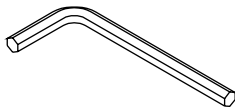


**C** Cushion (1)

**Hardware/Tools**

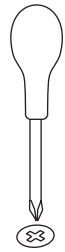


**D** Allen Screw M6x30mm (7)



**E** Allen Wrench 4mm (1)

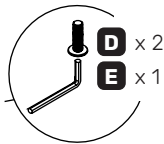
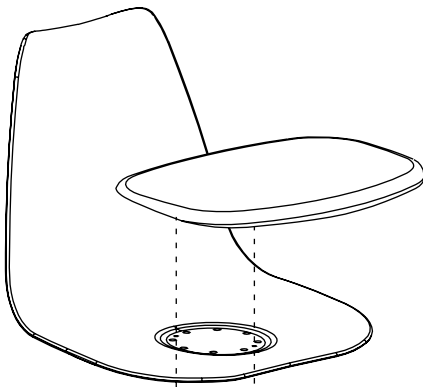
**!** Tools Required  
for Assembly



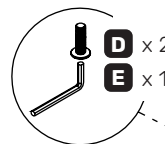
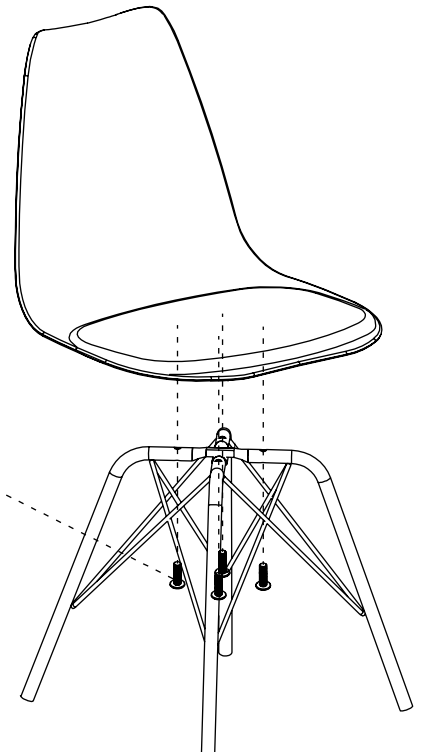
**Phillips Screwdriver**

**Do not use power tools to assemble**

**1**



**2**



**Completed**