

UR720R
SETUP INSTRUCTIONS

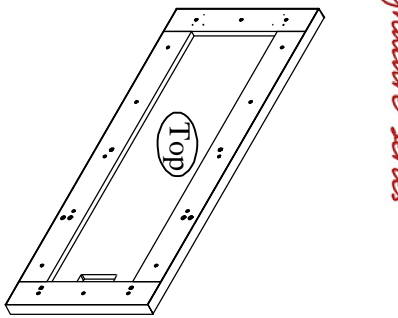
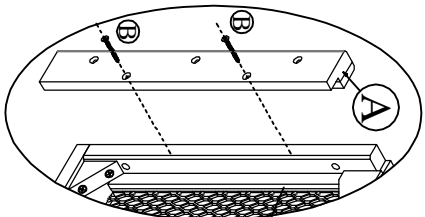


FIGURE 1



RIGHT HANDED

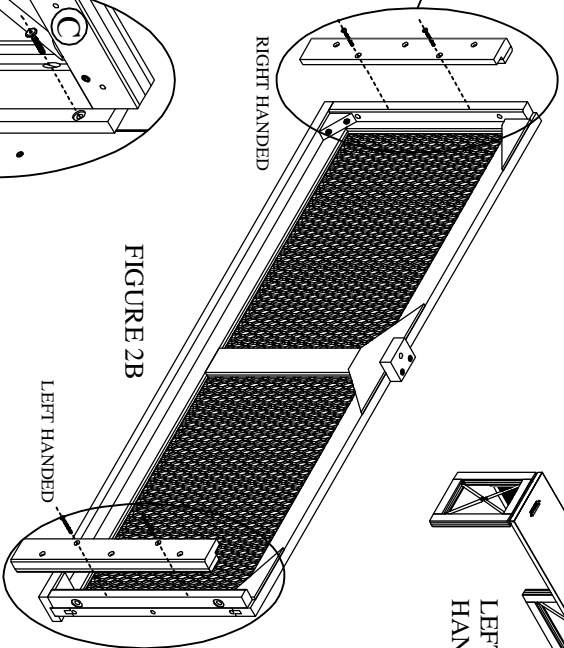
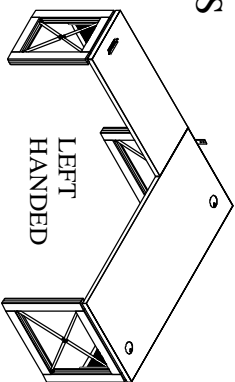
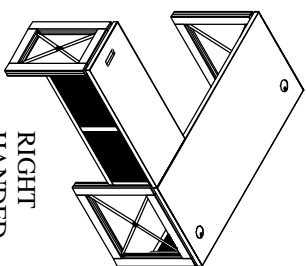


FIGURE 2B



LEFT HANDED

FIGURE 2A



RIGHT HANDED

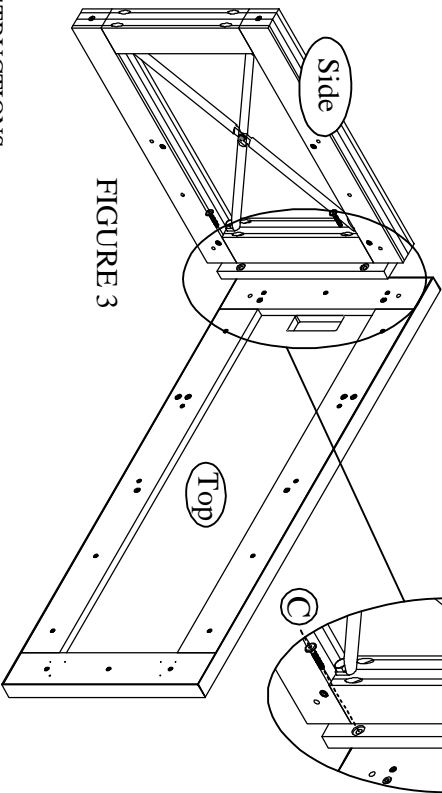


FIGURE 3

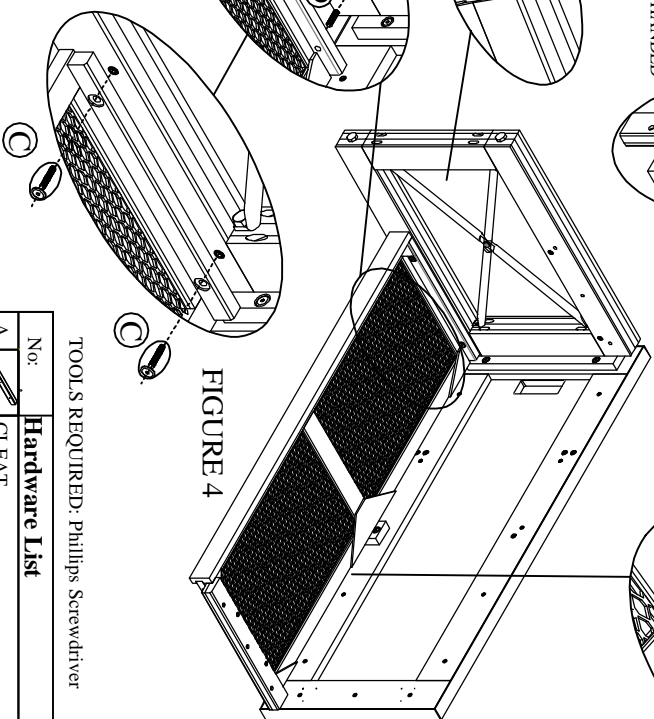
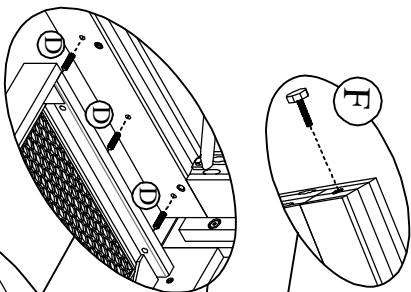
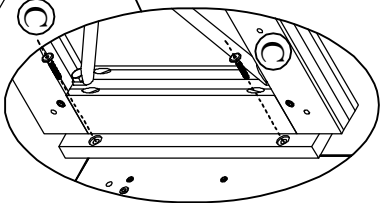


FIGURE 4



TOOLS REQUIRED: Phillips Screwdriver

1

INSTRUCTIONS:

1. Unpack all components from the box, lying them on a soft surface to avoid scratching FIG.1.
2. Determine the orientation of the return to the desk, LEFT HANDED or RIGHT HANDED. FIG. 2A
3. Attach cleat (A) on the side of modesty selected in STEP 2, with two SCREWS (B), FIG. 2B
4. Install the SIDE PANE to the TOP by hand tightening with two BOLT 40mm (C) FIG. 3
5. Attach the SCREEN PANEL to the LEG /TOP by inserting the three alignment DOWELS (D) and secure with three BOLTS 40mm (C) FIG 4.
6. Tighten the five BOLTS 40mm (C) from the previous steps with the 4mm ALLEN WRENCH (E)
7. Add two LEVELERS (F) to the LEG.
8. Place the Wire Management Clips (G) where convenient.

No:	Hardware List	Qty
A	CLEAT	1
B	SCREW 1 1/2"	2
C	BOLT 40mm	5
D	DOWEL	3
E	4mm ALLEN WRENCH	1
F	LEVELER	2
G	WIRE MANAGEMENT CLIP	2

**UR720R
SETUP INSTRUCTIONS**

FIGURE 6

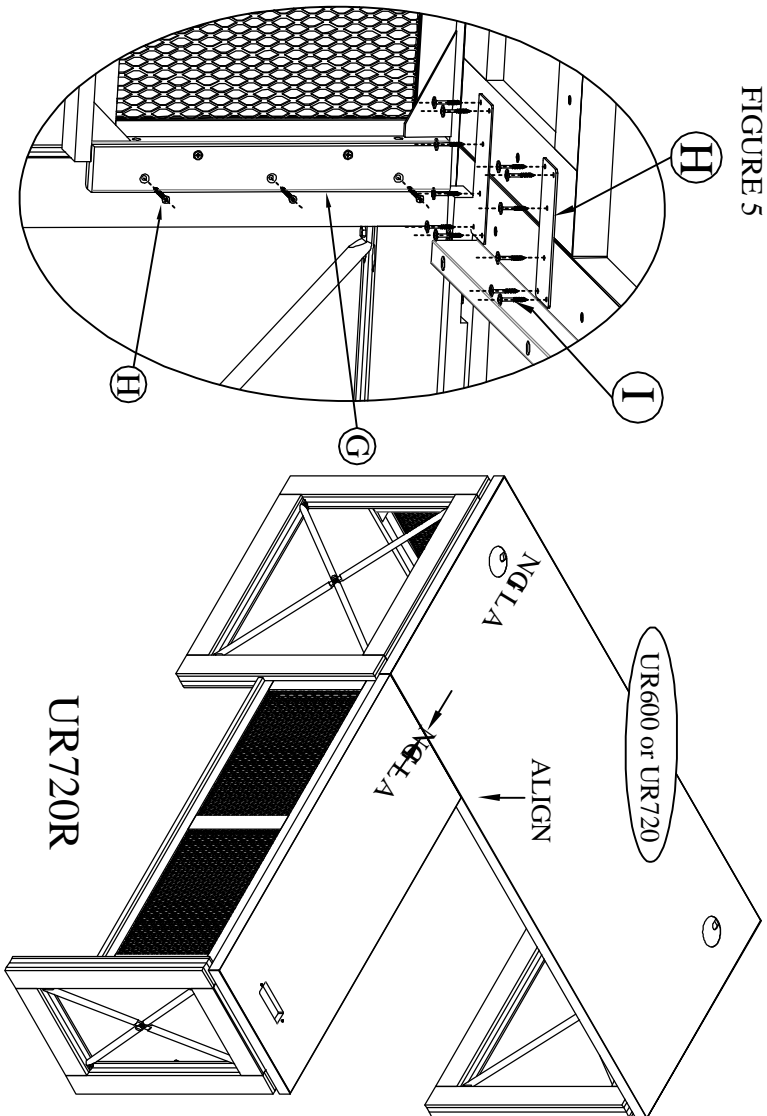


FIGURE 5

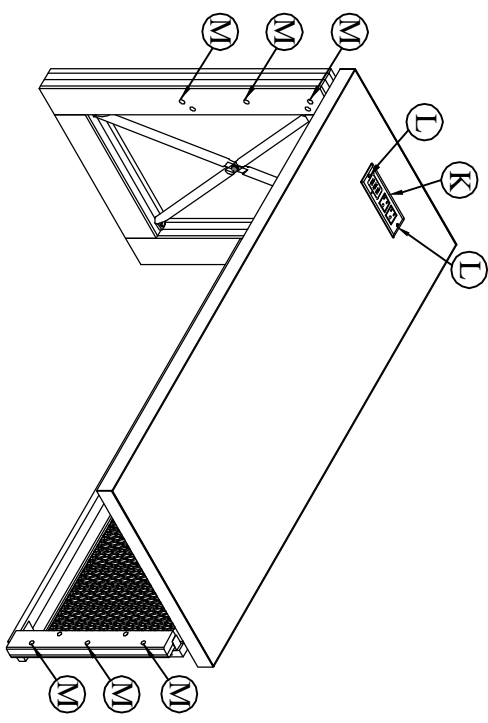


FIGURE 7

- INSTRUCTIONS:**
9. Attach two **BRACKETS (H)** to the appropriate side of the desk top with six **SCREWS (I)** using the pilot holes on the underside of the desk as guides FIG. 5.
 10. With an assistant **FLIP** and **ALIGN** the return onto the **BRACKETS** FIG.6
 11. Secure the **BRACKET (J)** with six **SCREWS (I)** as shown FIG. 5
 12. Secure **MODESTY PANEL** to **DESK** leg with three **SCREWS (J)**, FIG.5
 12. add **POWER STRIP (K)** with two **SCREWS (L)** FIG 7.
 13. Apply the ten **BLACK CAPS (M)** to any **Visible Fastener Locations** FIG 7.

No:	Hardware List	Qty
H	BRACKET	2
I	SCREW 1 1/4"	12
J	SCREW 2"	3
K	POWER STRIP	1
L	SCREW 5/8"	2
M	BLACK CAP	10