

SETUP INSTRUCTIONS

FIGURE 1A

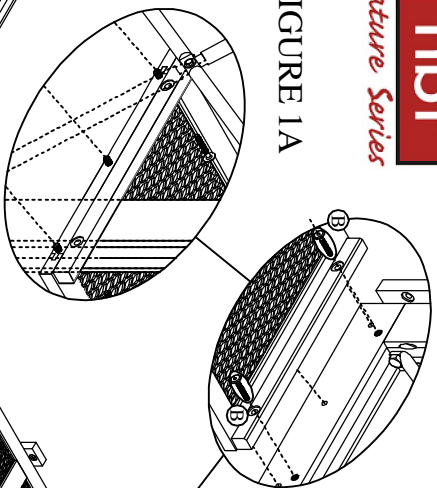


FIGURE 1

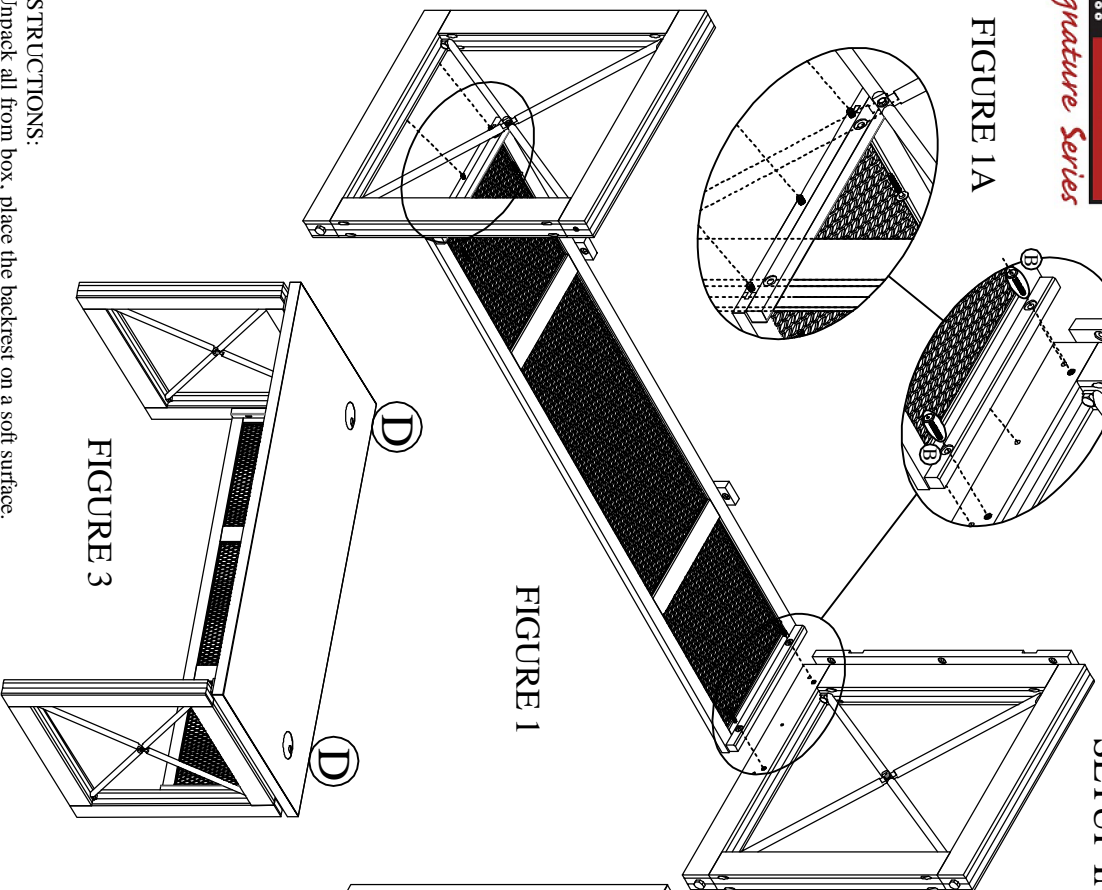


FIGURE 3

- INSTRUCTIONS:**
1. Unpack all from box, place the backrest on a soft surface.
 2. Attach Meshed Panel to the Legs by aligning Dowels into the holes on the legs left and right FIG. 1A.
 3. Using 4mm Allen Wrench (A) fasten with two Bolt 40 mm (B) on each side.

NOTE: IF PRIVACY SCREENS ARE TO BE INSTALLED, REFER TO "PS" INSTRUCTIONS TO PRE-MOUNT BRACKETS PRIOR TO INSTALLING DESK TOP.

4. Position the Left and Right Legs onto the Top FIG. 2A and fasten them with three Allen Bolt 40 mm (B) on each side fig. 2A.
5. Fasten two BOLTS (B) through the Blocks on the Meshed Panel FIG. 2B.
6. Install four LEVELERS (C) FIG. 2C.
7. With an assistant Flip desk upright and Install the two GROMMET (D) FIG. 3
8. Place Wire Management Clips where convenient. (E).

FIGURE 2A

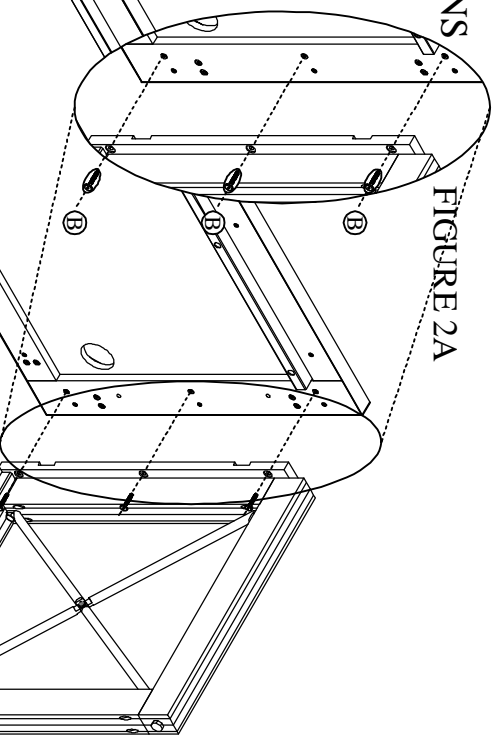


FIGURE 2C

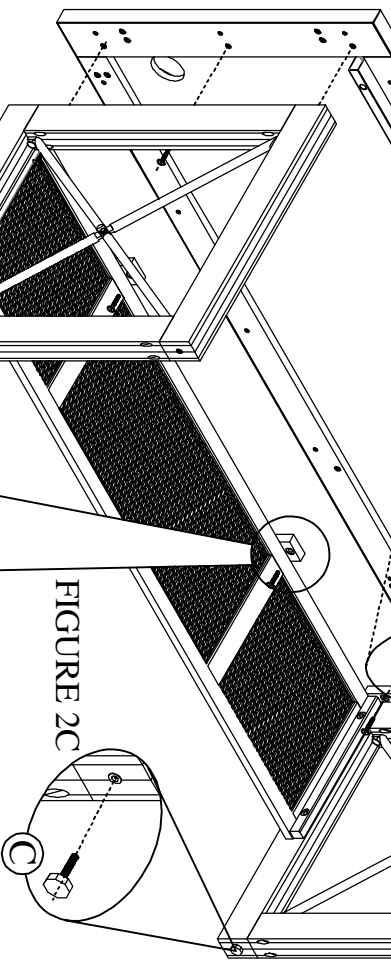
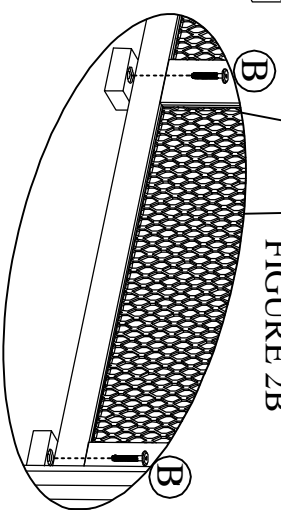


FIGURE 2B



No.	Hardware List	Qty
A	4mm ALLEN WRENCH	1
B	BOLT 40mm	12
C	LEVELER	4
D	GROMMET	2
E	WIRE MANAGEMENT CLIP	3