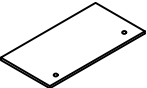
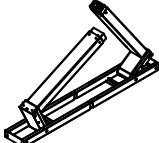
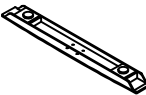
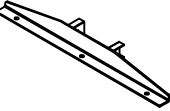
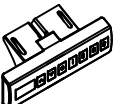
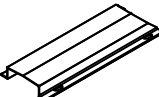
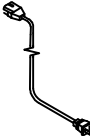
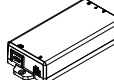













Congratulations on the purchase of your new *Signature Series* product!

COMPONENTS

<p>(A) Desktop x 1</p>  <p>(SKU#:TOP7230/TOP6030/TOP4824 Separately Packed)</p>	<p>(B) Adj Table Frame with Lifting Columns x 1</p> 	<p>(C) Foot with Leveling Glides x 2</p> 	<p>(D) Top Support Bracket x 2</p> 
<p>(E) Programmable Handset x 1</p> 	<p>(F) Cable Management Tray x 2</p> 	<p>(G) Power Cord x 1</p> 	<p>AT-CB2</p>  <p>(Separately Packed)</p>

HARDWARE & TOOLS

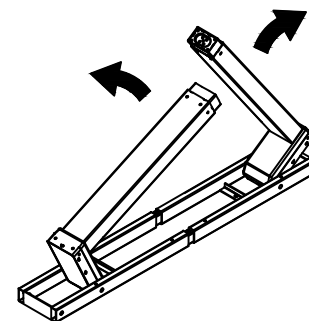
<p>(H)</p>  <p>M6 x 15mm Machine Screw with Lock Washer and Flat Washer x16</p>	<p>(I)</p>  <p>M6 x 33mm Machine Screw x4</p>	<p>(J)</p>  <p>5mm x 20mm Wood Screw x10</p>	<p>(K)</p>  <p>5mm x 45mm Wood Screw x2</p>
<p>(L)</p>  <p>4mm x 20mm Wood Screw x5</p>	<p>(M)</p>  <p>5mm Hex Wrench x1</p>	<p>(N)</p>  <p>4mm Hex Wrench x1</p>	

-  NOTE: Count and inspect all pieces before disposing of any carton or packing materials.
-  NOTE: Two-person assembly is recommended.
-  CAUTION ! Adjustable frame is heavy and care should be used when moving it during assembly.
-  NOTE: Lifting columns are pre-installed to adjustable frame and are folded down toward center of adjustable frame for shipping.

Congratulations on the purchase of your new *Signature Series* product!

INSTRUCTIONS - Do not use power tools to assemble

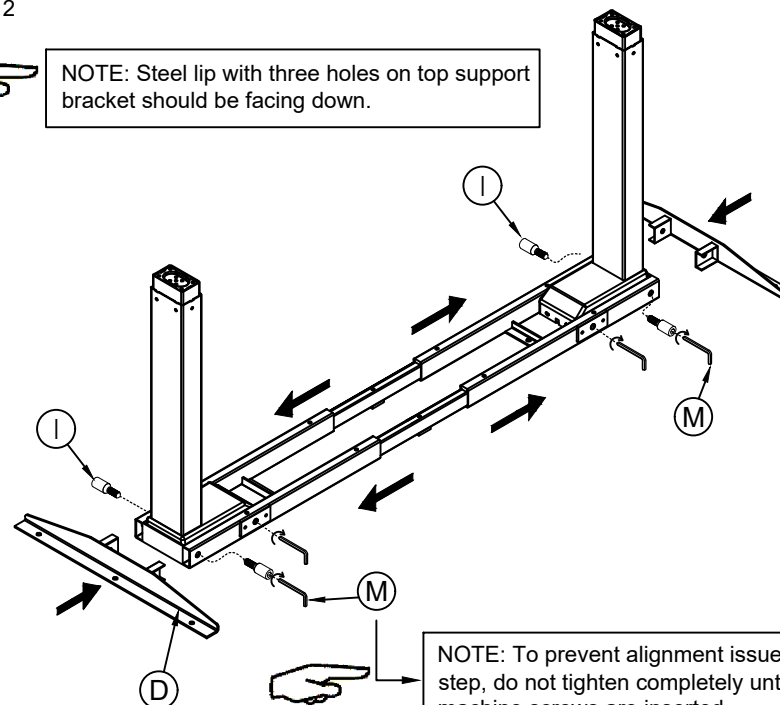
STEP 1



STEP 2



NOTE: Steel lip with three holes on top support bracket should be facing down.



NOTE: To prevent alignment issues during this step, do not tighten completely until all four machine screws are inserted.

Congratulations on the purchase of your new *Signature Series* product!

INSTRUCTIONS - Do not use power tools to assemble



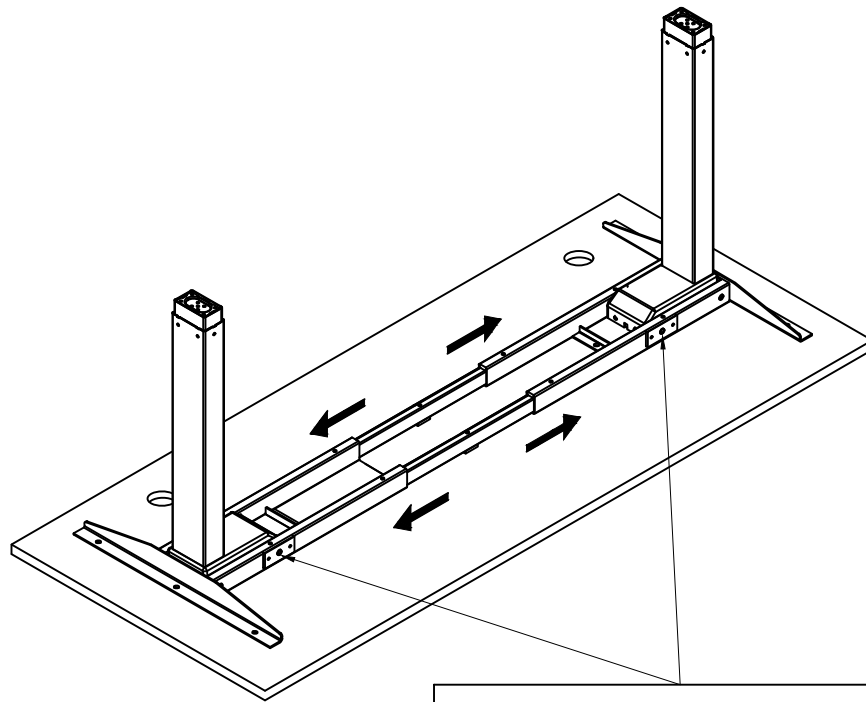
NOTE: Adjustable frame is designed to fit desktops that are 48-72" long and 24-30" wide. Extend adjustable frame as needed to position desktop.

For 48 x 24" desks, top support brackets should be approximately 1½" from side edges of desktop and approximately 2½" from front and back edges of desktop.

For 60 x 30" desks, top support brackets should be approximately 1½" from side edges of desktop and approximately 5½" from front and back edges of desktop.

For 72 x 30" desks, top support brackets should be approximately 6" from side edges of desktop and approximately 5½" from front and back edges of desktop.

STEP 3



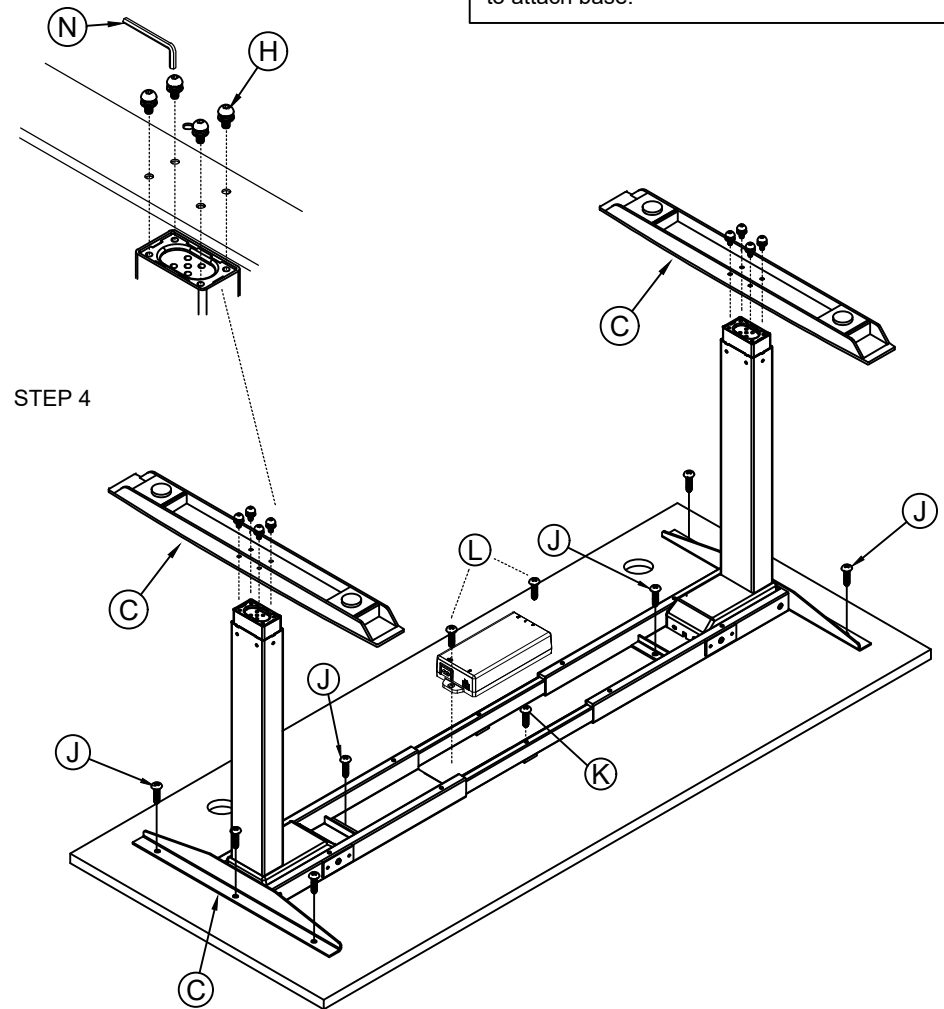
NOTE: Return mounting points to be on opposite side as grommets.

Congratulations on the purchase of your new *Signature Series* product!

INSTRUCTIONS - Do not use power tools to assemble



NOTE: Desktop does not include pre-drilled holes. Drill wood screws directly into desktop to attach base.



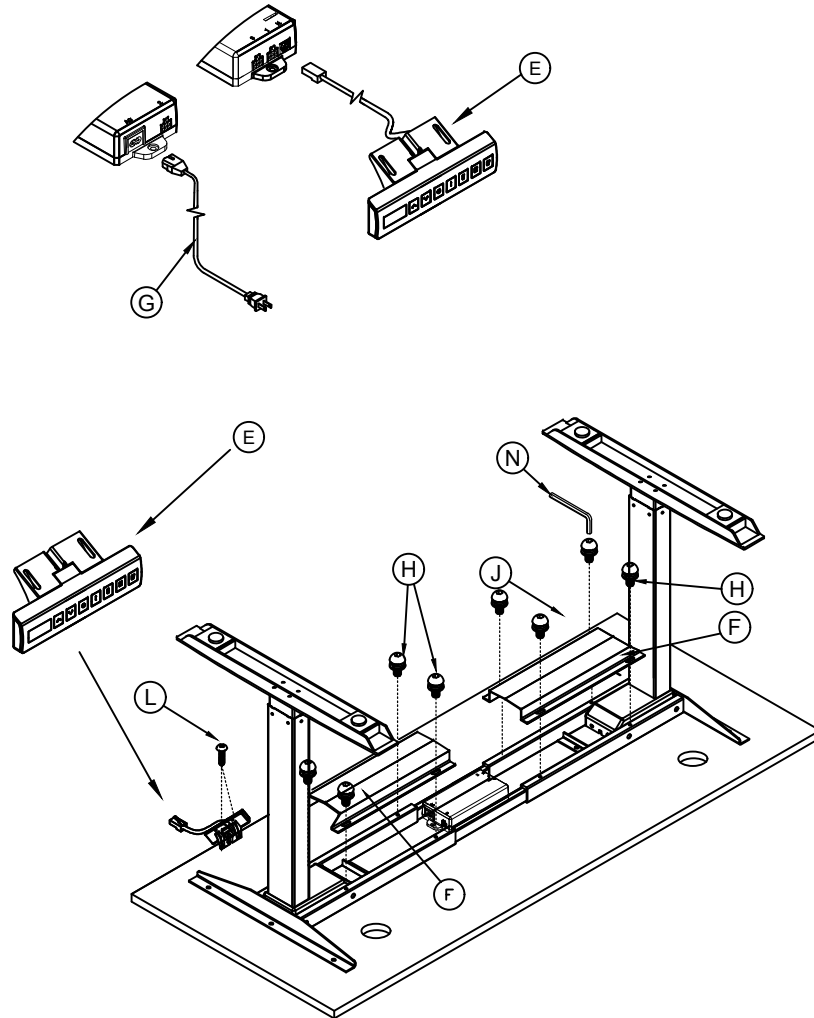
STEP 4

Congratulations on the purchase of your new *Signature Series* product!

INSTRUCTIONS - Do not use power tools to assemble

COMPLETED

NOTE: Back of desktop has two grommet holes.
Front of desktop is the opposite side.



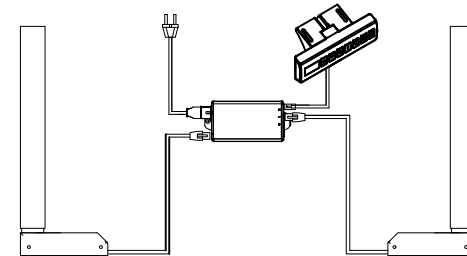
Congratulations on the purchase of your new *Signature Series* product!

INSTRUCTIONS

! Make sure no obstacles are in the desk's path. **!**
Make sure the desktop is not touching any walls.
Make sure all cords are appropriate length to accommodate
the change in height.

IMPORTANT: You must INITIALIZE the desk prior to first use.

Controller Initialization- Press and hold the Down button on the controller until the desk reaches its lowest height, slightly raises, and stops. Release the down button, your desk is now ready for use. (Follow the "USER MANUALS" to use your desk)



TROUBLESHOOTING

If the table is not functioning properly it may need to be reset.

Unplug the power cord for 20 seconds.

Plug the power cord back in and follow the RESET procedures.

If the error message persists after the reset procedure, please contact your dealer.

If the height between the legs exceeds 1.5 inches, stop the reset procedure, please contact your dealer.