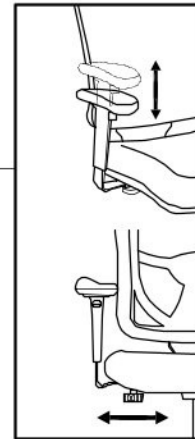
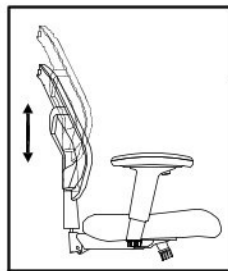


ADJUSTMENTS

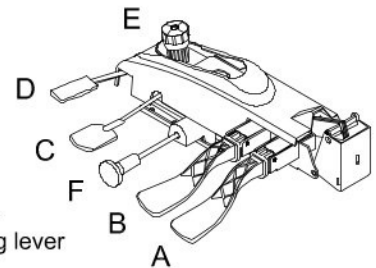
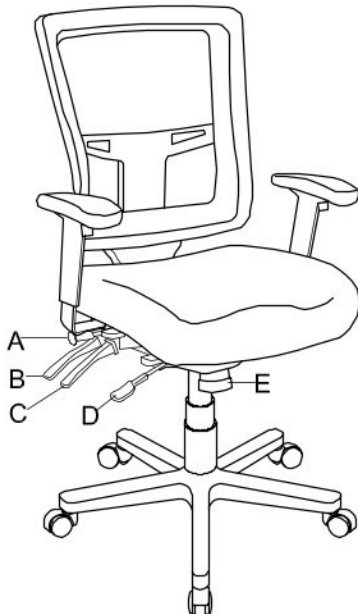
Ratchet Back Height Adjustment

To raise the back, slowly lift the back up until you hear a series of 4 to 5 clicks. Each click represents a position where the back will lock into place. To lower the back, raise the back all the way up until tension is released - the back will then return to the lowest position without stopping. Raise back up to desired position.



ARM HEIGHT ADJUSTMENT
- Push the button under the arm pad and move the arm up or down. Release button to set the height.

ARM WIDTH ADJUSTMENT
- Loosen the knob under the arm bracket and move the arm inward or outward. Tighten knob after reaching desired position.



MECHANISM ADJUSTMENTS:

- (A) Adjust back angle by pushing lever upward or downward.
- (B) For combination seat / back angle adjustment with infinite lock, push upward or downward.
- (C) For seat height adjustment, push lever upward or downward.
- (D) Forward tilt lever
*While seated, lift lever B and then lean back to activate locking mechanism;
*Pull lever D backward to allow seat to tilt forward - or - push lever D forward to straighten seat;
*To lock in desired position, push lever B downward.
- (E) Turn tension control knob clockwise to increase tension and counter-clockwise to decrease tension.
- (F) Pull lever out to allow seat to slide forward or backward. Release lever to lock in position.

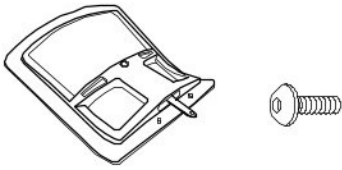
Warnings

1. This product should be used by only one person at a time.
2. Do not use this chair unless all bolts, screws and knobs are securely tightened.
3. Dispose of packing material properly. Do not use the plastic cover as a head covering. It may cause suffocation.
4. Do not use the chair as a stepladder.
5. Use this chair for its intended purpose only.
6. Save Allen Wrench. Check and tighten all bolts, screws and knobs every 3-6 months; ensure they are fully tightened to ensure stability.

CUSTOMER SERVICE HOTLINE
800-626-6060



PARTS



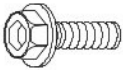
Back / QTY:1
Back Post Screw (8x10mm) / QTY:1



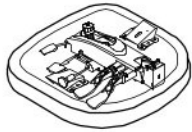
Back Post / QTY:1
Back Bolt (10x25mm) + Washers :
QTY / 1 SET



Back Post Cover / QTY : 1
Back Post Cover Screw (4x20mm) /
QTY : 2



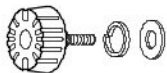
Mechanism Screw(6x24mm) / QTY:6



Seat + Mechanism + Arm Bracket / QTY:1



Armrests / QTY: 2



Width Adjustment Knob + Washers
QTY: 2 SETS



Base / QTY:1



Seat Post Cover / QTY:1



Seat Lift / QTY:1



Casters / QTY: 5

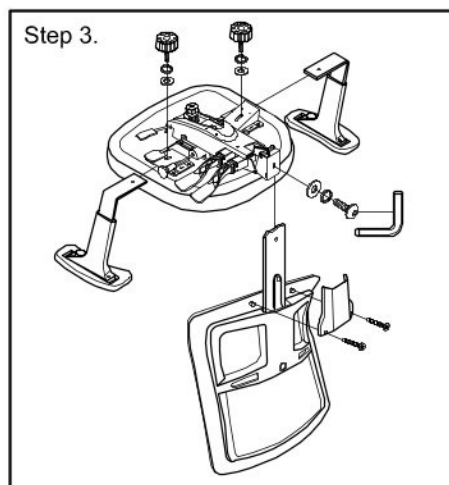
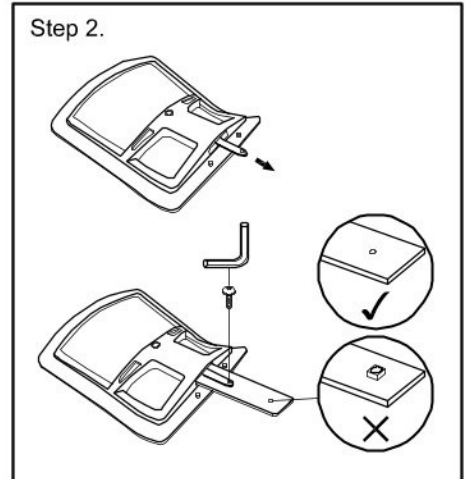
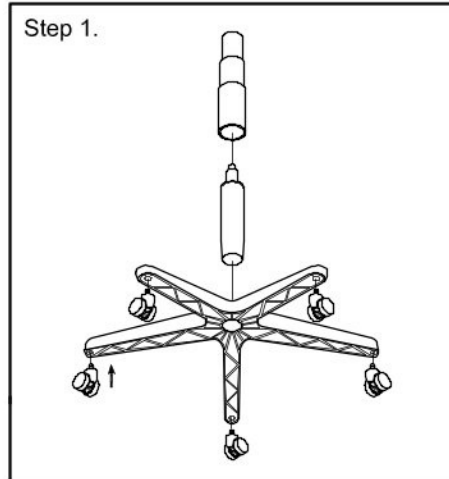
Congratulations on the purchase of your new Signature Series chair!

INSTRUCTIONS

Remove all parts from carton and verify part quantities as indicated on parts lists.

- Step 1. Insert the casters into the hole at the bottom of the five prong base. Insert the bottom end of the seat lift into center hole of the base. Slide seat post cover over seat lift.
- Step 2. Attach backrest post to back using one short backrest post screw.
- Step 3-1. Insert backrest post into rear of mechanism and secure using one long backrest bolt, one split lock washer and one flat washer.
- Step 3-2. Attach backrest post cover using two backrest post cover screws.
- Step 3-3. Insert armrests into the brackets located at both sides of the seat. Insert the width adjustment knobs into the holes of brackets. Adjust the width of the armrest to your preference and tighten securely.
- Step 4. Place the chair body onto the small end of the seat lift.

Attention: MAKE SURE ALL SCREWS ARE FULLY TIGHTENED BEFORE USING CHAIR.



CUSTOMER SERVICE HOTLINE
800-626-6060

WWW.NBF.COM

