
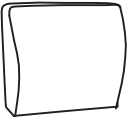


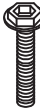



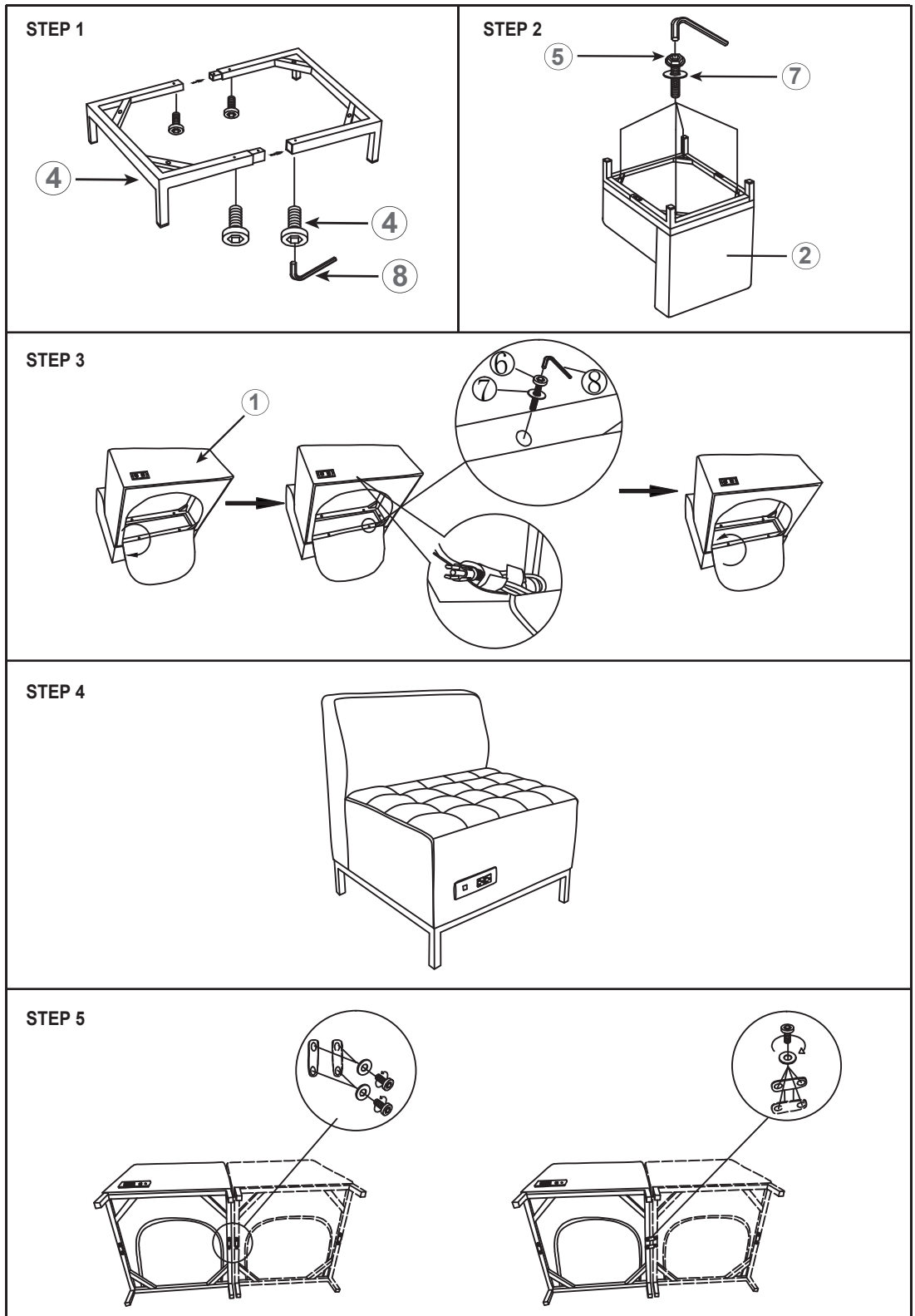




**PARTS** – remove all the parts from the carton and verify part quantities as indicated on this parts list.

|   |
|---|
| <p>①</p>  <p>SEAT CUSHION – QTY: 1</p>           |
| <p>②</p>  <p>BACK CUSHION – QTY: 1</p>           |
| <p>③</p>  <p>STEEL BASE – QTY: 1</p>             |
| <p>④</p>  <p>1/4" x 3/4" SCREW – QTY: 4</p>    |
| <p>⑤</p>  <p>1/4" x 2" SCREW – QTY: 4</p>      |
| <p>⑥</p>  <p>5/16" x 2-3/4" SCREW – QTY: 4</p> |
| <p>⑦</p>  <p>WASHER – QTY: 8</p>               |
| <p>⑧</p>  <p>ALLEN KEY – QTY: 1</p>            |



Important: Use this chair for its intended purpose only. This chair is to be used by one person at a time. Do not lean back on 2 wheels or use the chair as a step ladder. Be sure all screws are properly tightened. Save the Allen wrench to periodically tighten the screws in the future, if they become loose.