
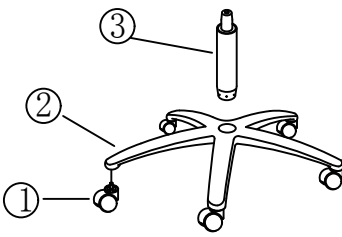
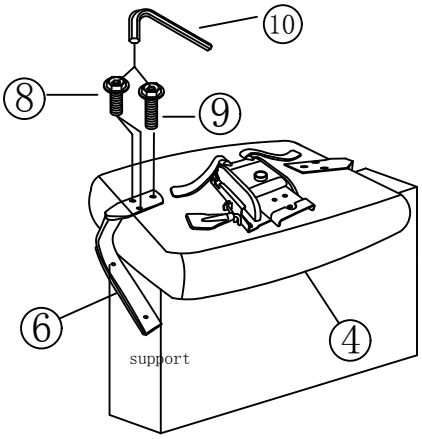

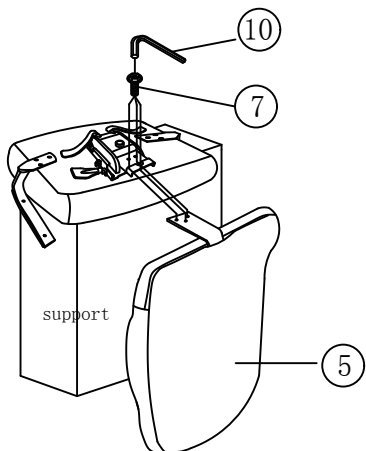
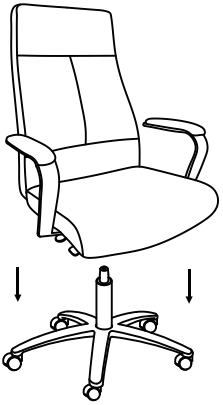




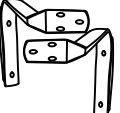








**PARTS** – remove all the parts from the carton and verify part quantities as indicated on this parts list.

<p>①</p>  <p>CASTOR - QTY: 5</p>	<p>STEP 1</p> 	<p>STEP 2</p> 
<p>②</p>  <p>5-STAR BASE - QTY: 1</p>	<p>STEP 3</p> 	<p>STEP 4</p> 
<p>③</p>  <p>GAS LIFT - QTY: 1</p>	<p>STEP 5</p> 	
<p>④</p>  <p>SEAT CUSHION - QTY: 1</p>		
<p>⑤</p>  <p>BACK CUSHION - QTY: 1</p>		
<p>⑥</p>  <p>ARMREST - QTY: 2</p>		
<p>⑦</p>  <p>5/16"×3/4" - QTY: 3</p>		
<p>⑧</p>  <p>1/4"×1-1/4" - QTY: 4</p>		
<p>⑨</p>  <p>1/4"×1-1/2" - QTY: 2</p>		
<p>⑩</p>  <p>ALLEN KEY - QTY: 1</p>		

Important: Use this chair for its intended purpose only. This chair is to be used by one person at a time. Do not lean back on 2 wheels or use the chair as a step ladder. Be sure all screws are properly tightened. Save the Allen wrench to periodically tighten the screws in the future, if they become loose.