





PARTS – remove all the parts from the carton and verify part quantities as indicated on this parts list.

(A)




14-1/4" STOOL LEG – QTY: 2

(B)




14-1/4" STOOL LEG – QTY: 2

(1)




SEAT CUSHION – QTY: 1

(2)

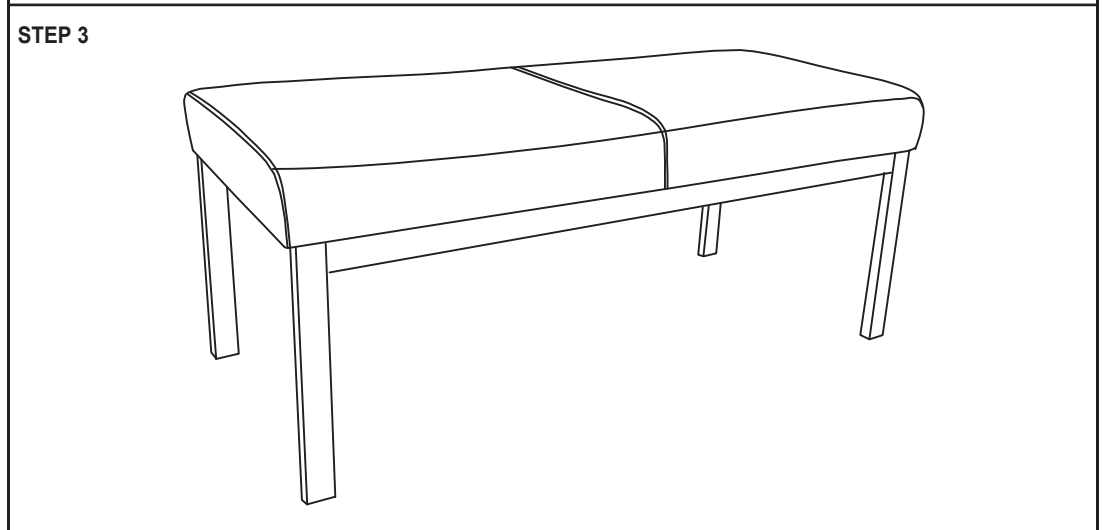
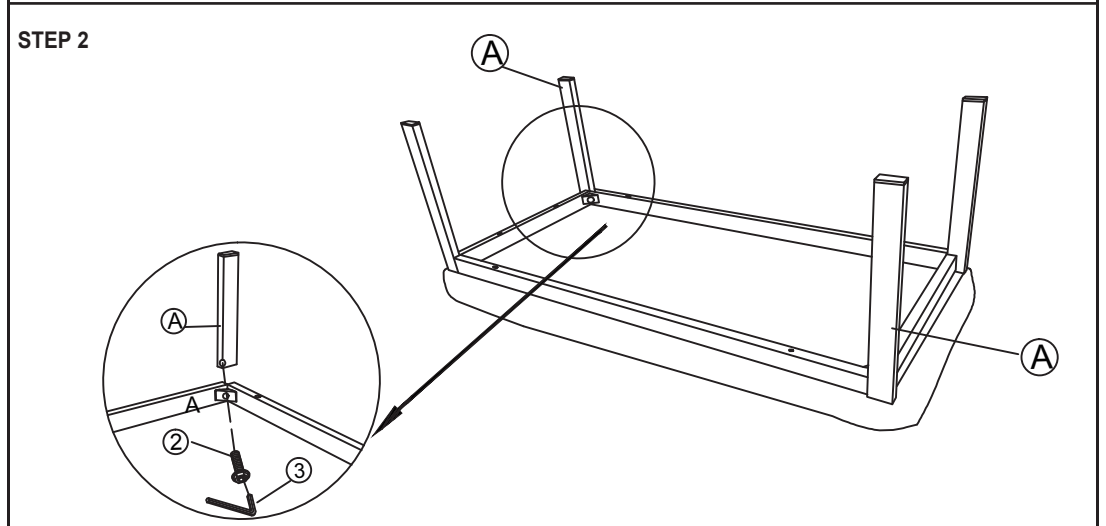
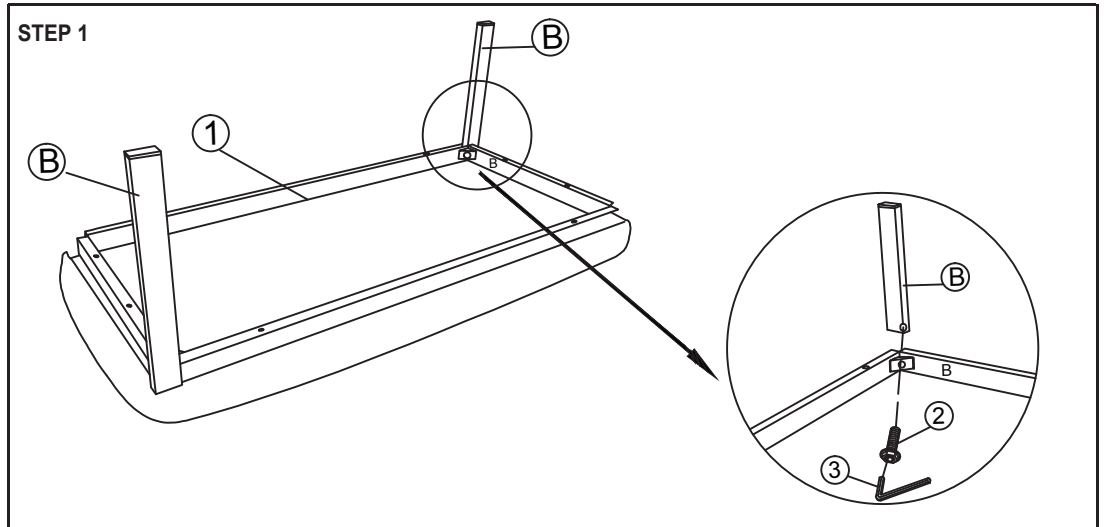


5/16x1-1/2" SCREW – QTY: 4

(3)



ALLEN KEY – QTY: 1



Important: Use this chair for its intended purpose only. This chair is to be used by one person at a time. Do not lean back on 2 wheels or use the chair as a step ladder. Be sure all screws are properly tightened. Save the Allen wrench to periodically tighten the screws in the future, if they become loose.