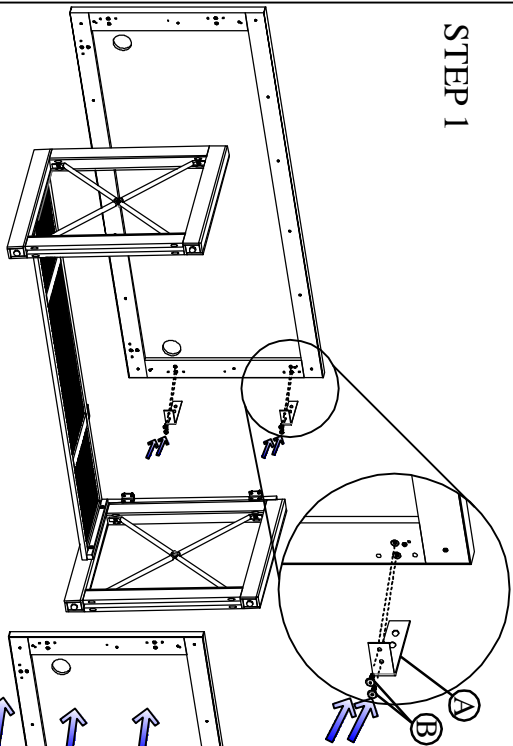
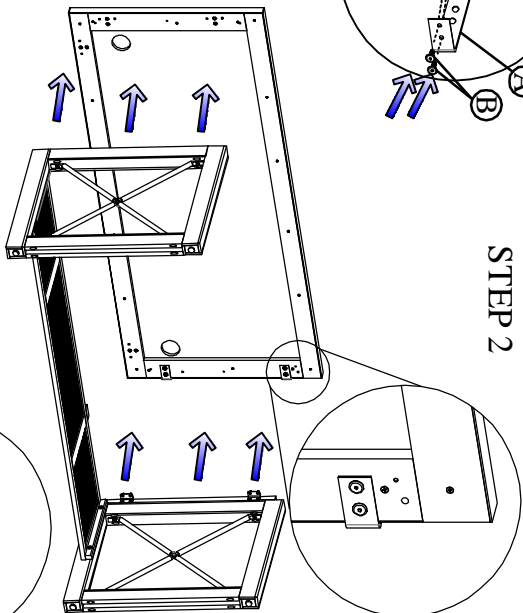


UR30WB / UR58WB / UR70WB SETUP INSTRUCTIONS

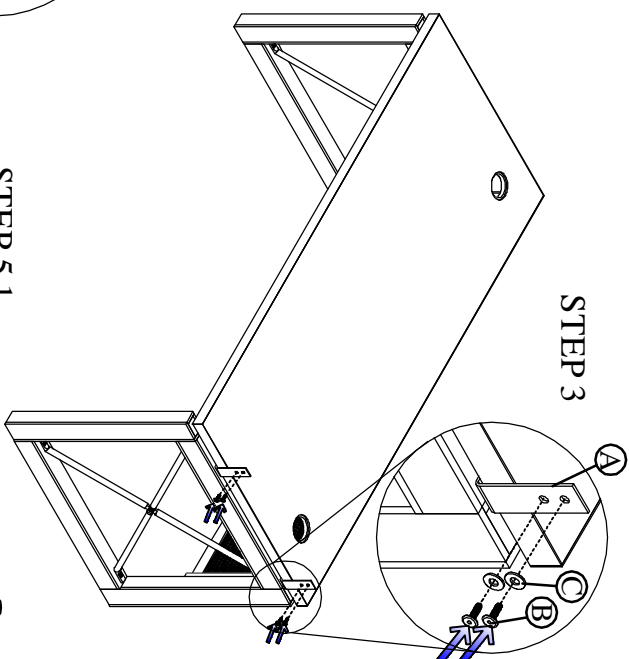
STEP 1



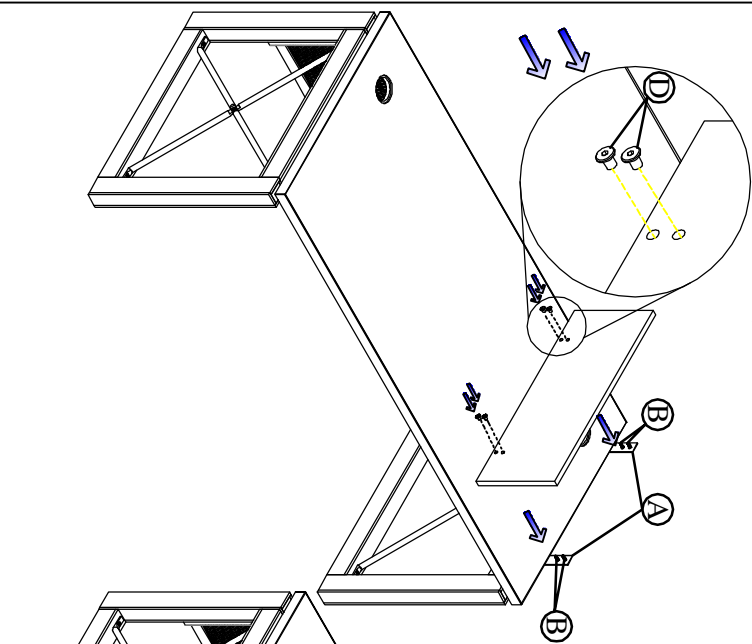
STEP 2



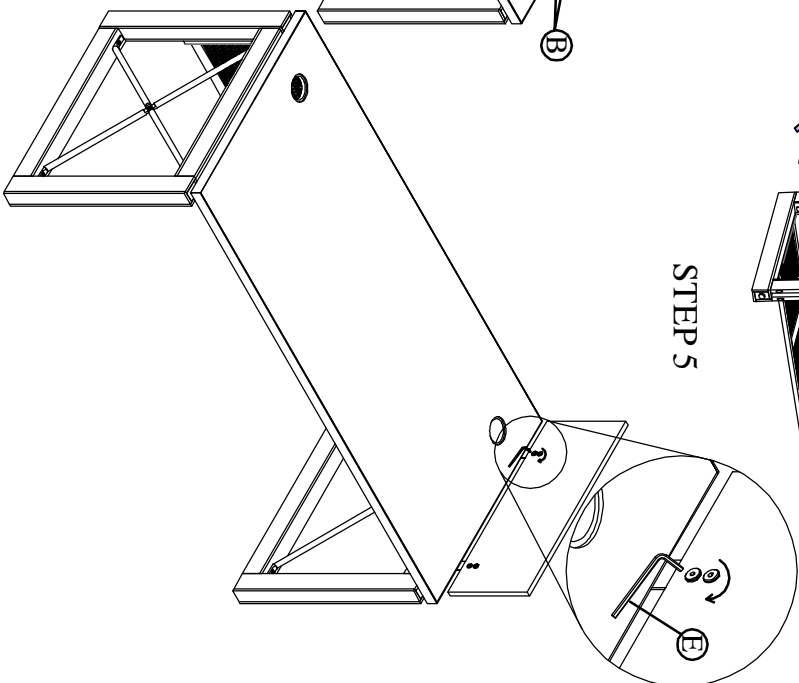
STEP 3



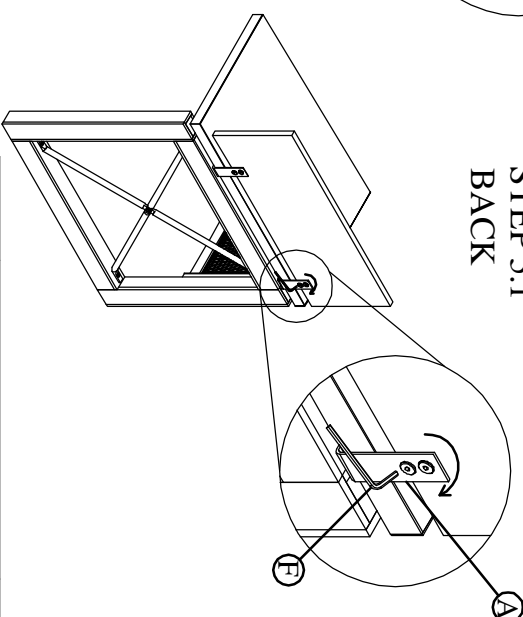
STEP 4



STEP 5



STEP 5.1
 BACK



Hardware List

No.	Hardware List	Qty
A	METAL BRACKET	2
B	1/4 - 20 X 23mm KD BOLT BLACK	8
C	FLAT WASHER 1/4	4
D	9mm X 23mm CAP FOR CONNECTOR	4
E	5mm HEX WRENCH	1
F	4mm HEX WRENCH	1