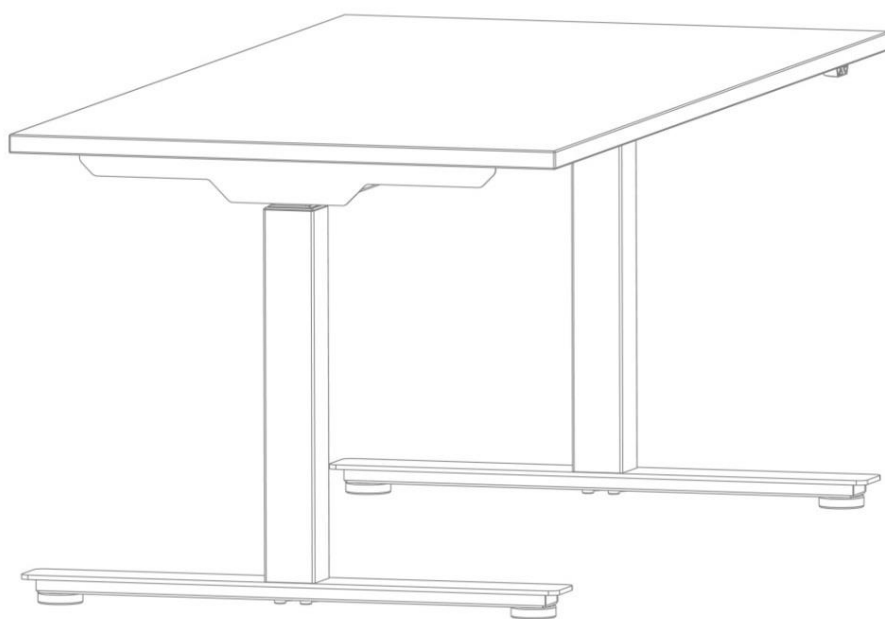
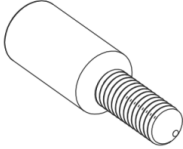
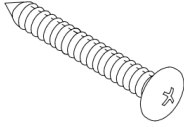
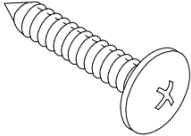
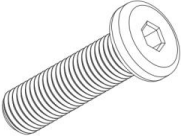
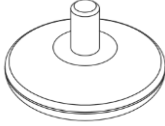


Electric Table Base

Installer | User Guide



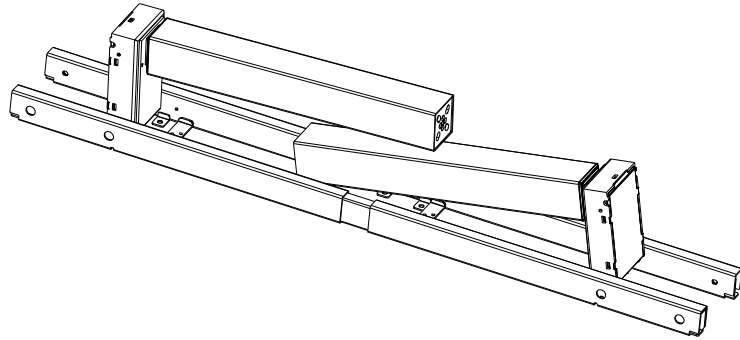
HARDWARE LISTS AND TOOLS REQUIRED

Item	Number	Drawing	QTY	Tool
M6 X 15	A		4 PCS	5mm Allen Wrench
4 x 25 (Handset)	B		2 PCS	Cross-Head screw driver
5 x 20 (Wood Top)	C		18 PCS	Cross-Head screw driver
M10 x 35 (For Foot)	D		8 PCS	5mm Allen Wrench
Leveler	E		4 PCS	N/A

INSTALLATION INSTRUCTION

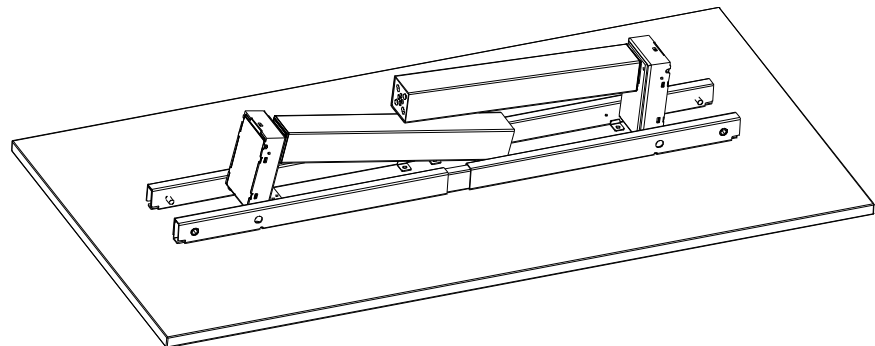
Step 1

Take the main frame out of the box



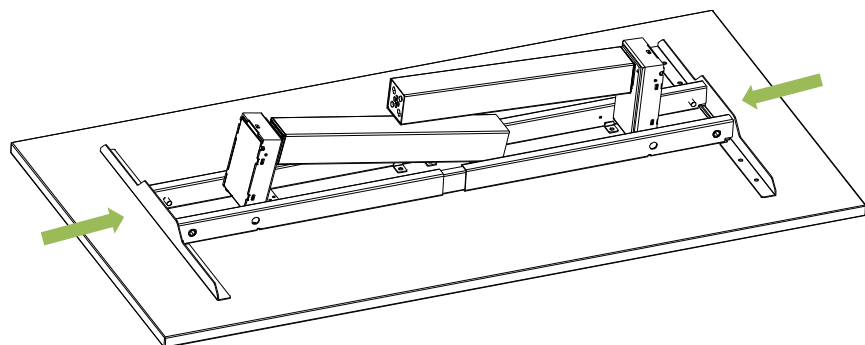
Step 2

Put the main frame on the back side of the wood top



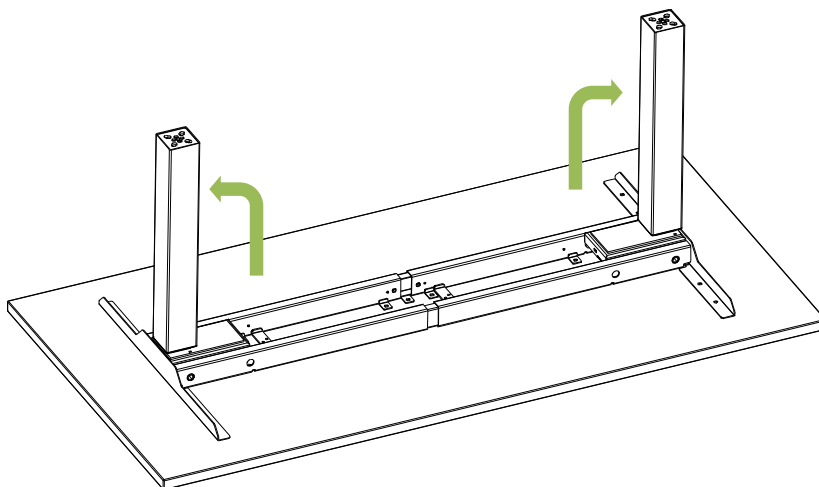
Step 3

Install the top side frame to the main frame



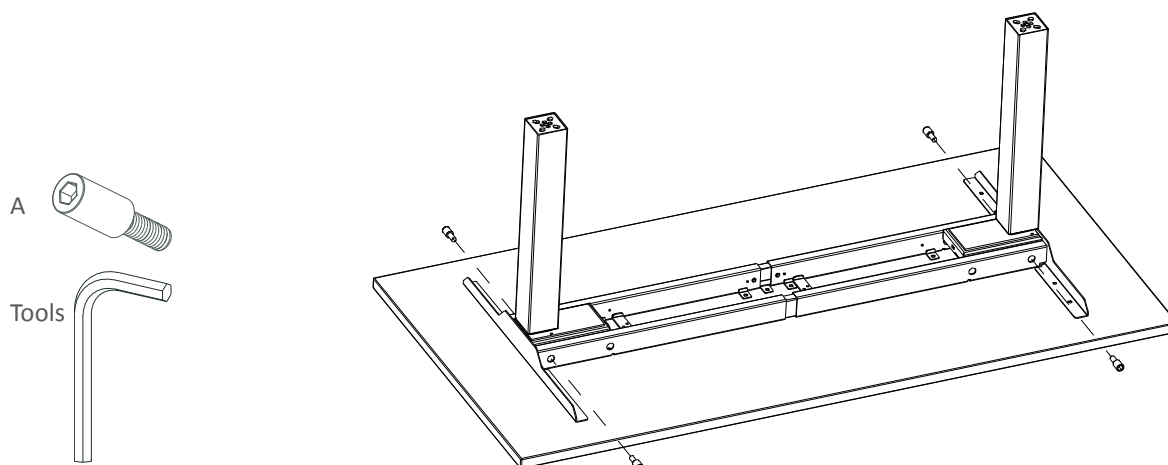
Step 4

Set the column straight



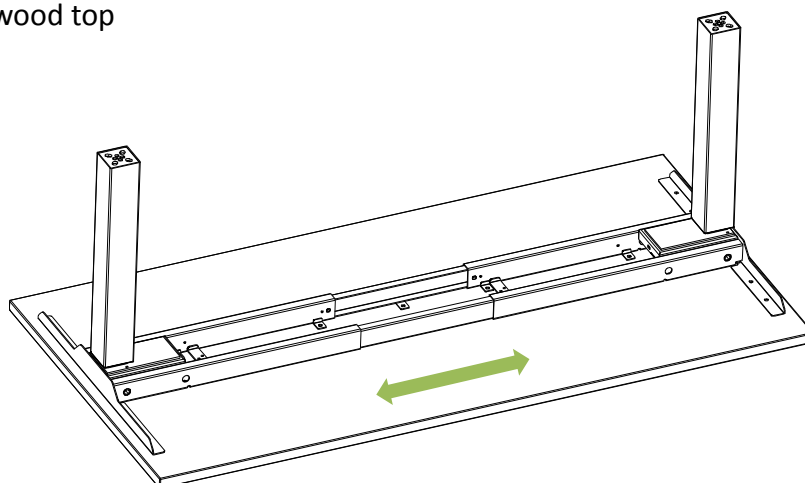
Step 5

Install "Screw A" , 4 PCS in total



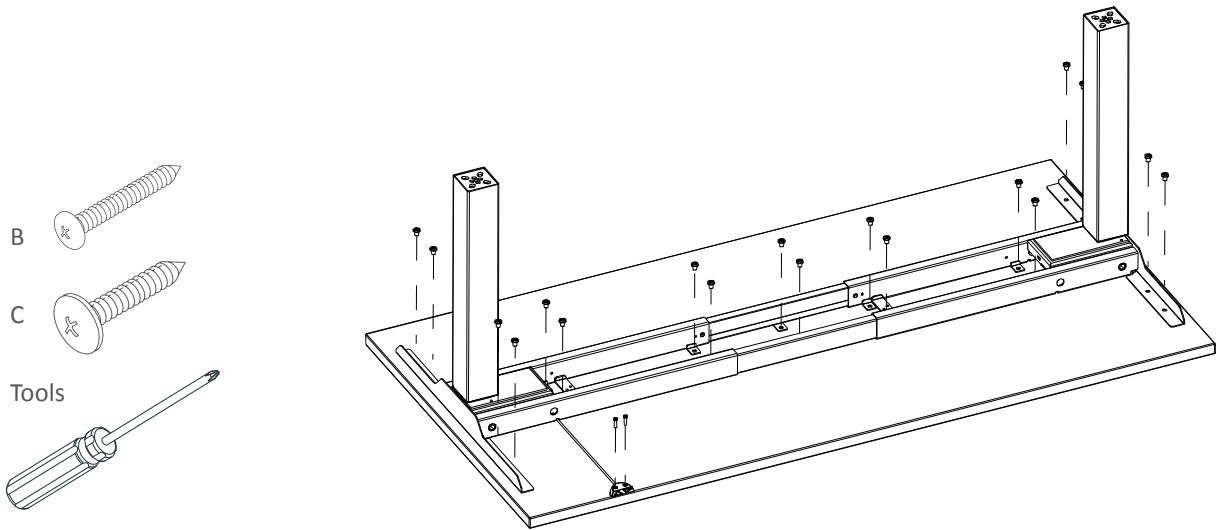
Step 6

Adjust the width to fit the wood top



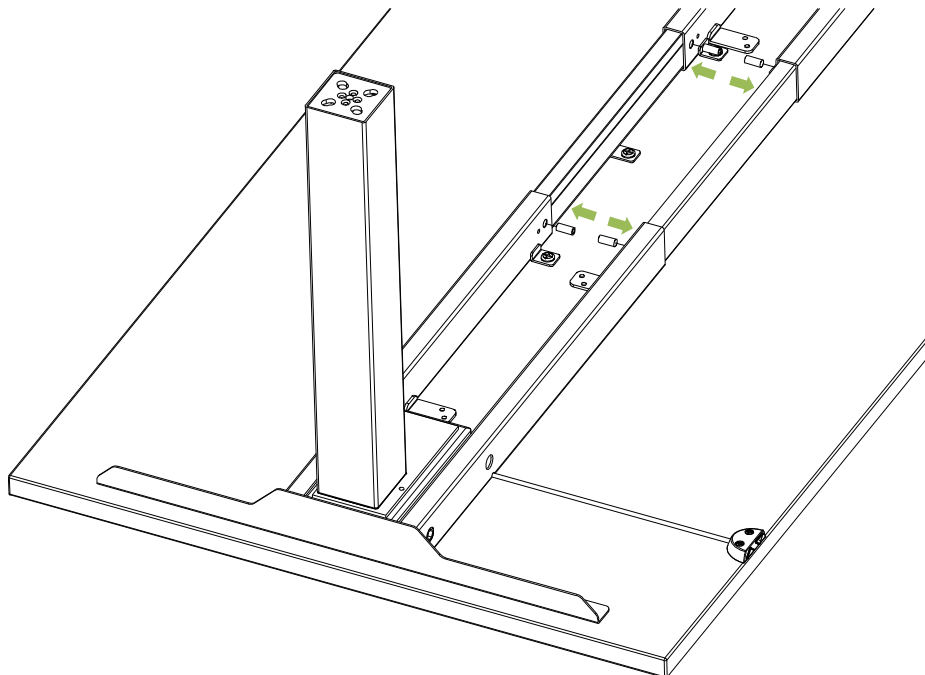
Step 7

Install the handset with (Screw B, 2PCS), then install (Screw C, 18 PCS) to secure the wood top



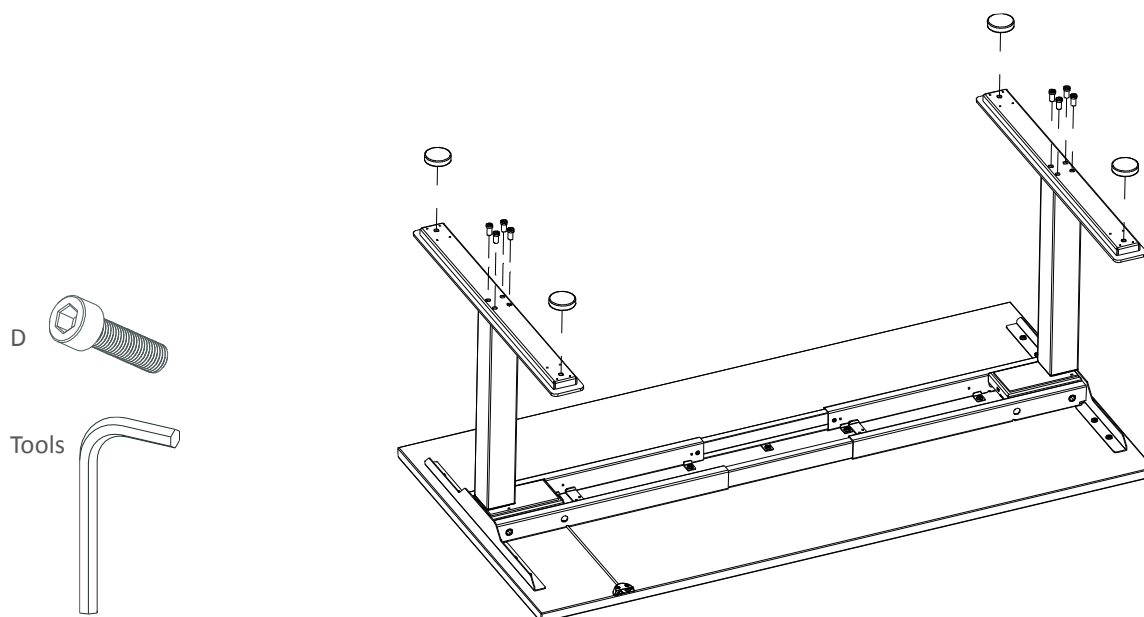
Step 8

Tie up the Tailstock screws (4 PCS) at the inner side of the main frame



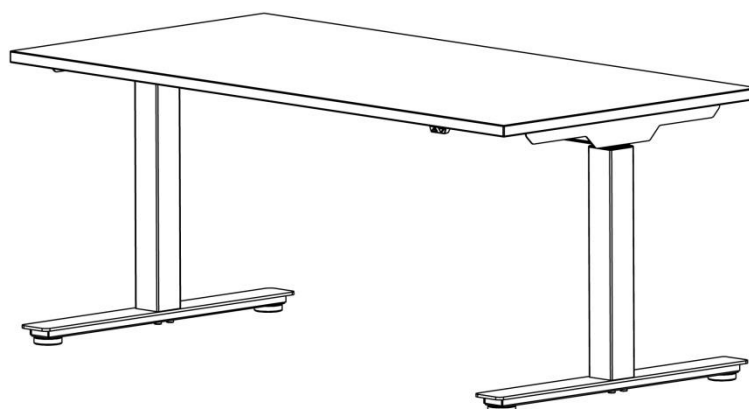
Step 9

Install the foots with (Screw D, 8 PCS) then install the glides (Part E, 4 PCS)




Step 10

Flip over the table and it's done



CAUTION **RESET THE DESK BEFORE USE**

1. Press both  buttons at the same time for 3 seconds.
2. Continue pressing the buttons until both columns are in lowest position.
3. When finish reset, the control box makes a sound and the buttons can be released.
4. Now the system is operational.