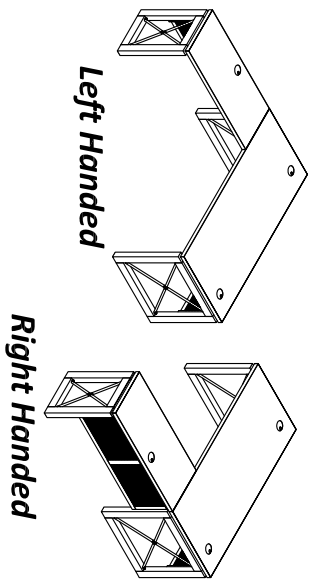
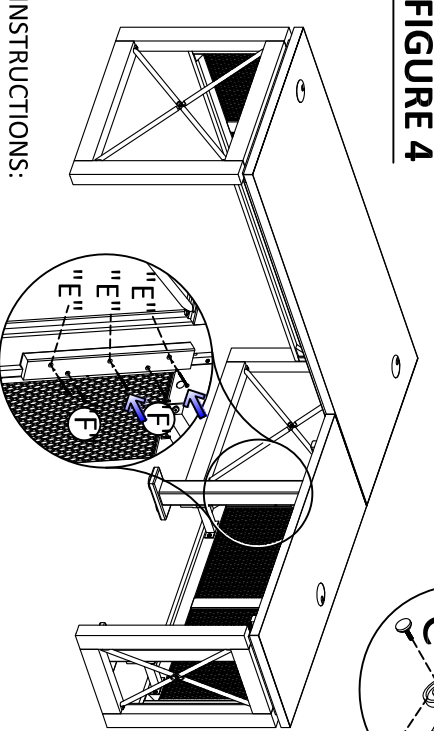
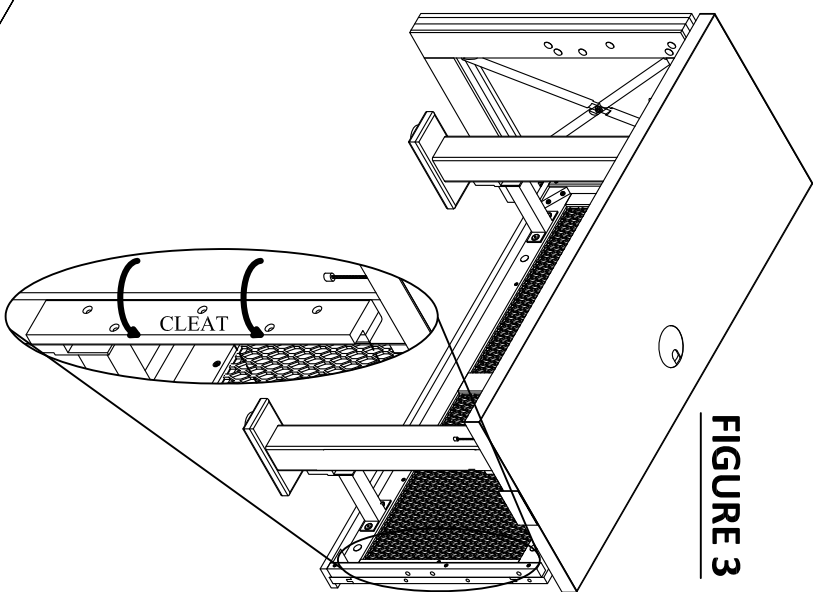
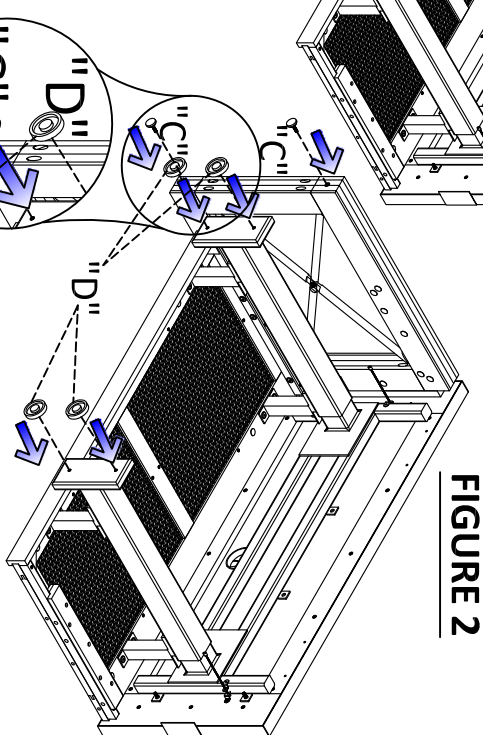
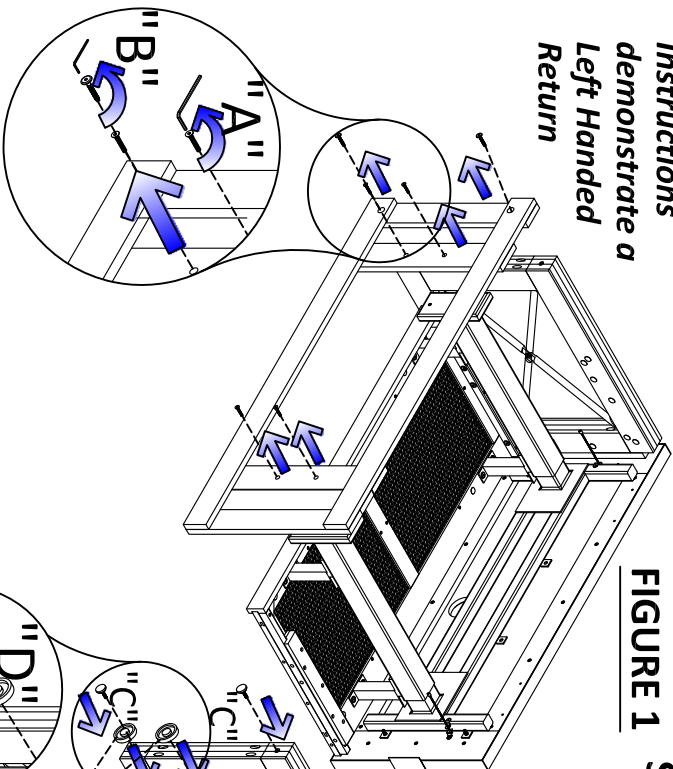


UNIVERSAL LIFT RETURN DESK

FIGURE 1 SETUP INSTRUCTIONS

NOTE:
Instructions demonstrate a Left Handed Return



- INSTRUCTIONS:**
1. Unpack all components from the box, protect your unit by placing it on a soft surface to avoid scratching.
 2. Remove the frame using ALLEN WRENCH BIG ("A") and SMALL ("B") [FIGURE 1]
 3. Install two small levelers ("C") and four big levelers ("D") as shown. [FIGURE 2]
 4. Remove the cleat and FLIP from packing orientation [FIGURE 3] reusing screws or supplies ("E")
 5. Connect unit to desk by attaching with three with two SCREW 1 1/2" ("F") [FIGURE 4]
 6. Move the Control Panel to the right or left side, per your preference, guided with the pre-drilled pilot holes.
 7. Use Wire Management Straps where convenient. ("G").
 8. Add grommet. ("H").
- NOTE:** WRENCH ("I") is supplied if connecting rod loosens in use or shipment.

TOOLS REQUIRED: Phillips Screwdriver

No:	Hardware List	Qty
A	ALLEN WRENCH BIG	1
B	ALLEN WRENCH SMALL	1
C	SMALL LEVELER	2
D	BIG LEVELER	4
E	SCREW 2"	3
F	SCREW 1 1/2"	2
G	WIRE MANAGEMENT STRAP	2
H	GROMMET	1
I	WRENCH	1