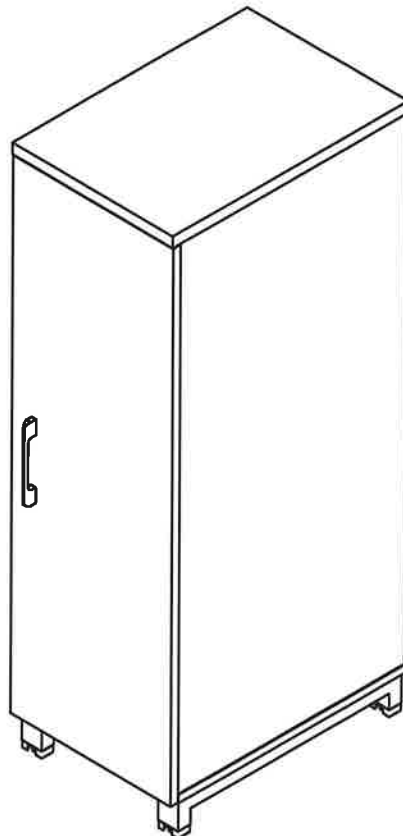


NBF



16" Wardrobe Assembly Instructions







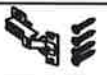



O-EWB-4060D

1.

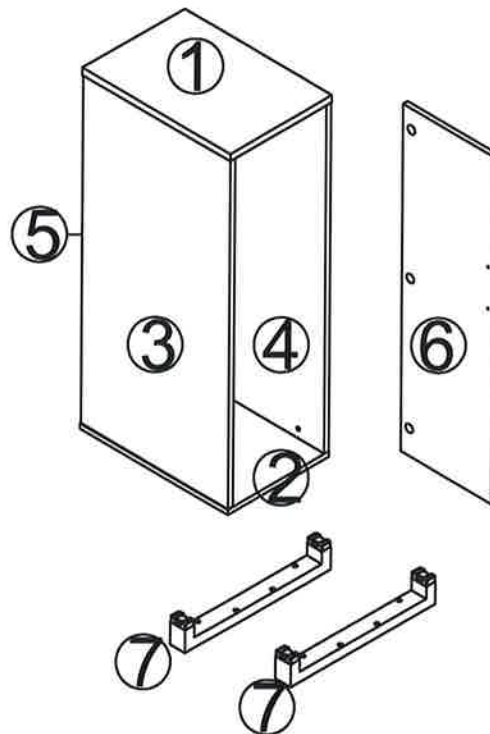


Assembly HARDWARE

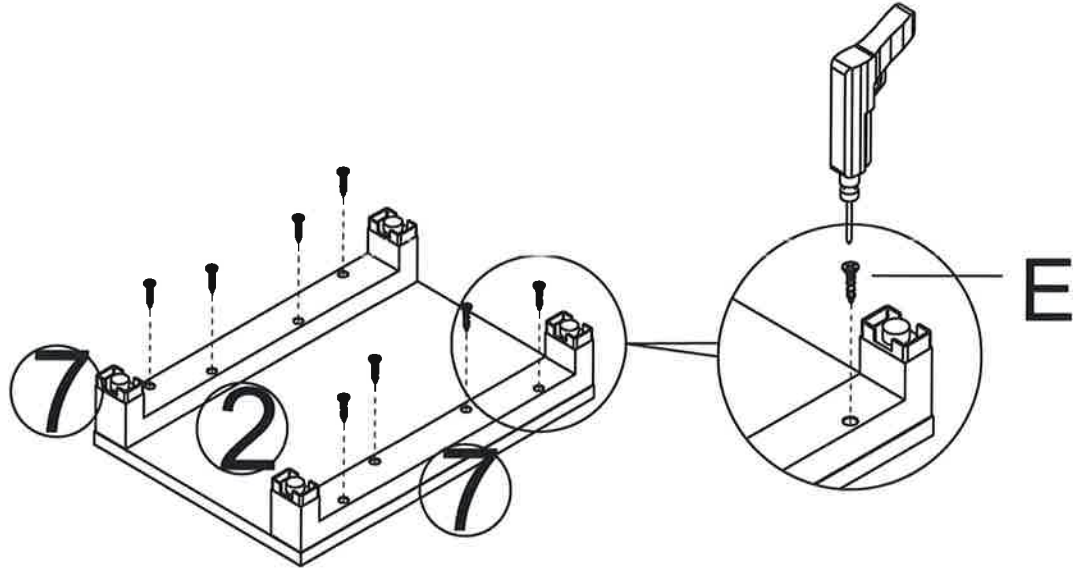
S/N	PICTURE	NAME	TOTAL QTY	REMARK
A		Cam lock	16+1PCS	
B		Klix Cam	16+1PCS	
C		Cam cover	16+1PCS	
D		Dowel	8+1PCS	
E		Screw $\phi 6 \times 19$	8+1PCS	
F		Handle With Screws	1PCS	
G		Hinges with screws	3PCS	
H		hanging rail with bracket	1SET	

PART LIST

- ① TOP PANEL
- ② BOTTOM PANEL
- ③ LEFT SIDE PANEL
- ④ RIGHT SIDE PANEL
- ⑤ BACK PANEL
- ⑥ DOOR
- ⑦ LEG(2X)

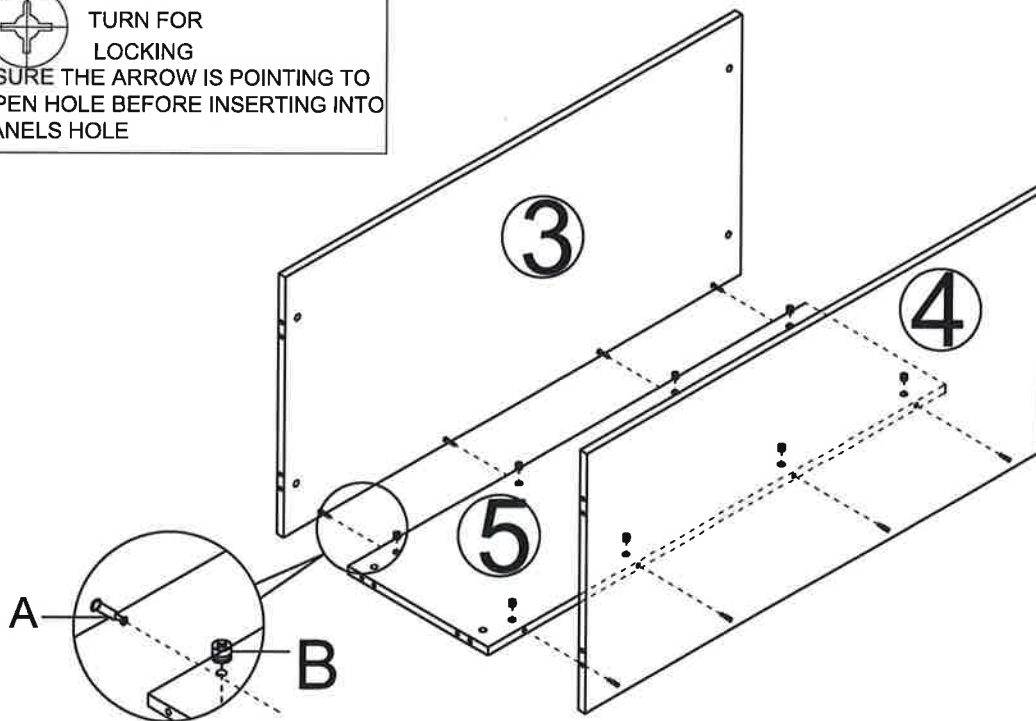
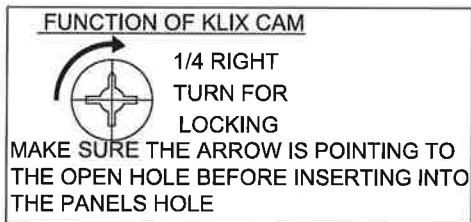


1. INSTALL LEGS ⑦ ON THE UNDERSIDE OF BOTTOM PANEL ② WITH "E" SCREWS ,USE POWER DRILL TO ATTACH.
E(8X)



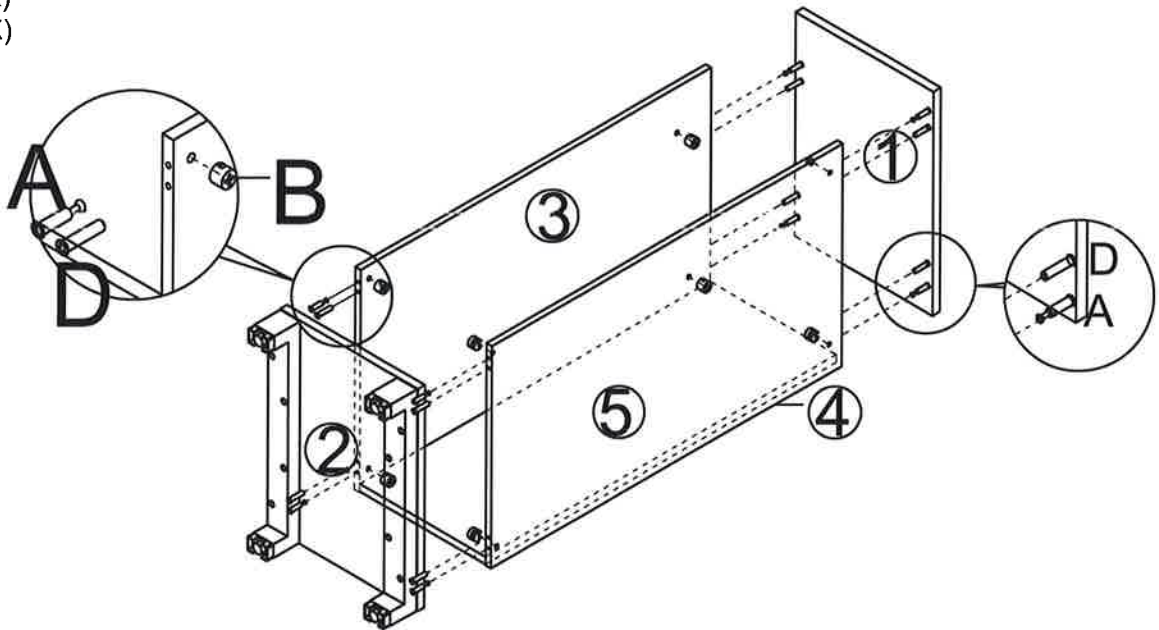
2. INSTALL "A" CAM SCREWS TO SIDE PANELS ③ & ④, THEN INSTALL "B" KLIX CAMS INTO BACK PANEL ⑤. CONNECT ③ AND ④ TO ⑤. TIGHTEN.
A(8X)
B(8X)

IMPORTANT:



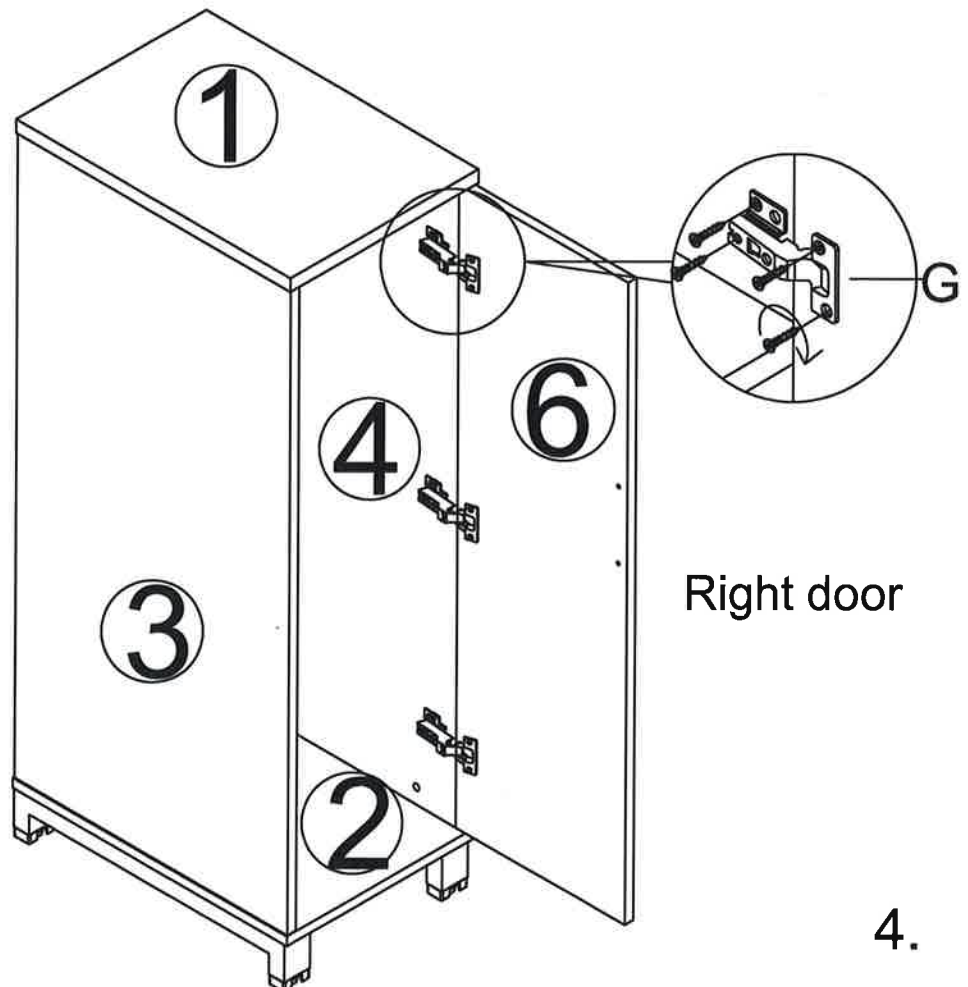
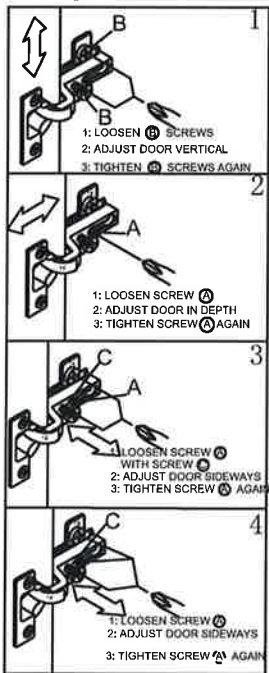
3.

3. INSTALL "A" CAM SCREWS AND "D" DOWELS ON TOP AND BOTTOM PANELS ① & ②, THEN INSTALL "B" KLIX CAMS INTO PANELS ③④ & ⑤ CONNECT ① & ② TO ③ ④ & ⑤. TIGHTEN.
 A(8X)
 B(8X)
 D(8X)

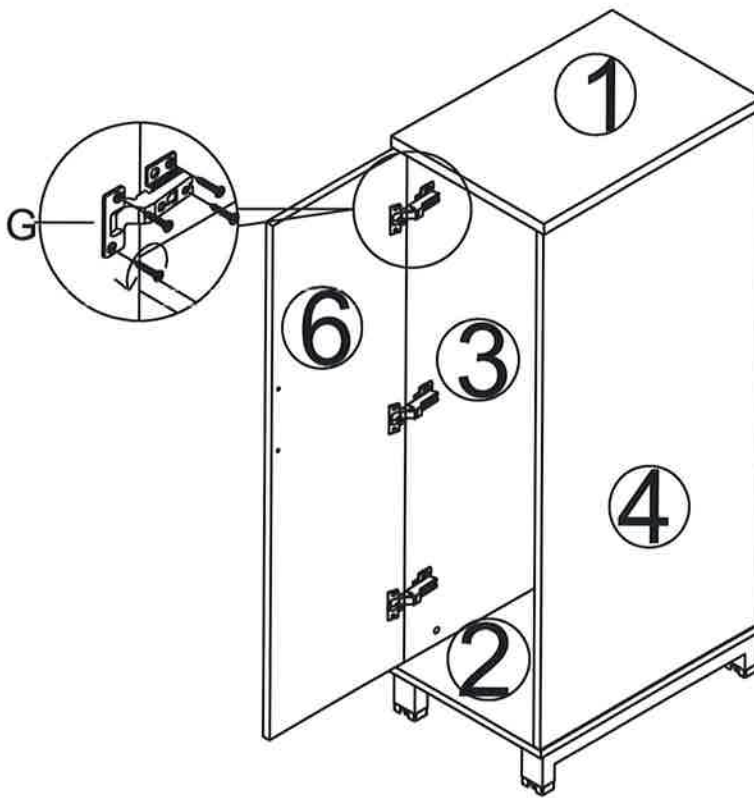


4. INSTALL "G" HINGES ON INSIDE OF DOOR ⑥, ATTACH HINGE TO INSIDE OF SIDE PANEL ④. FOR DOOR OPENING TO THE RIGHT. ATTACH HINGE TO INSIDE OF SIDE PANEL ③ FOR DOOR OPENING TO THE LEFT. ADJUST AS NEEDED, SEE BOX.
 G(3X)

To adjust doors

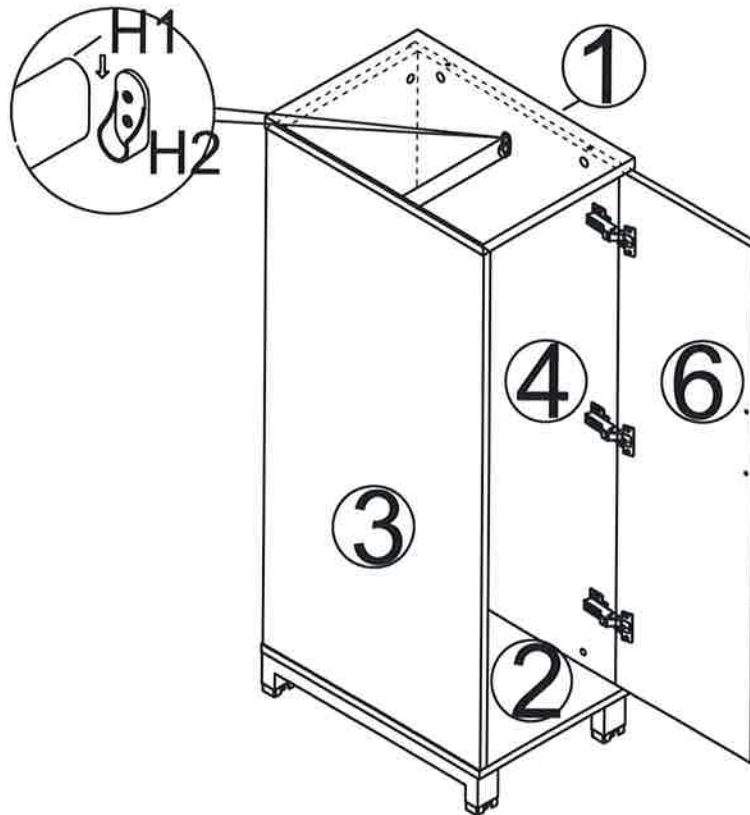


4.

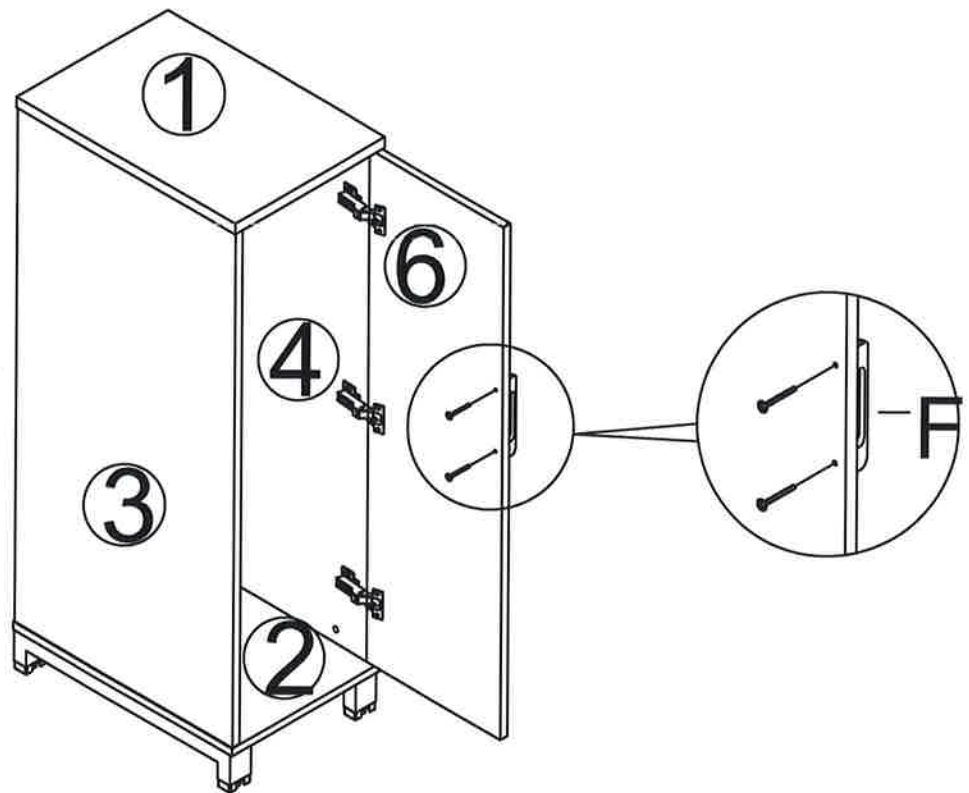


Left door.

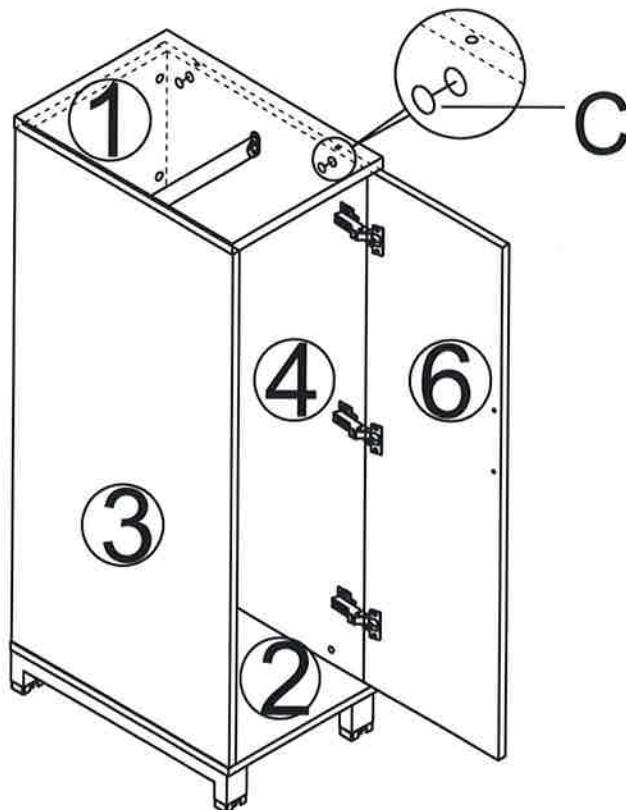
5. INSTALL "H" HANGING RAIL BETWEEN PANELS ③ & ④ USING "H2" CONNECTORS.
 H1(1X)
 H2(2X)



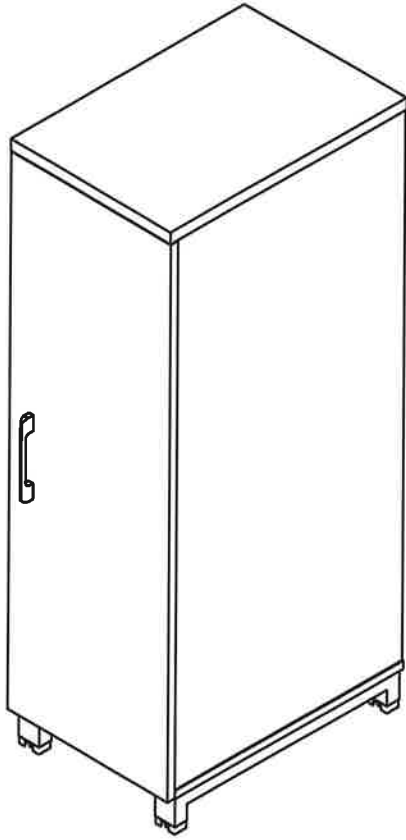
6. INSTALL "F" HANDLE ON OUTSIDE OF DOOR ⑥.
F(1X)



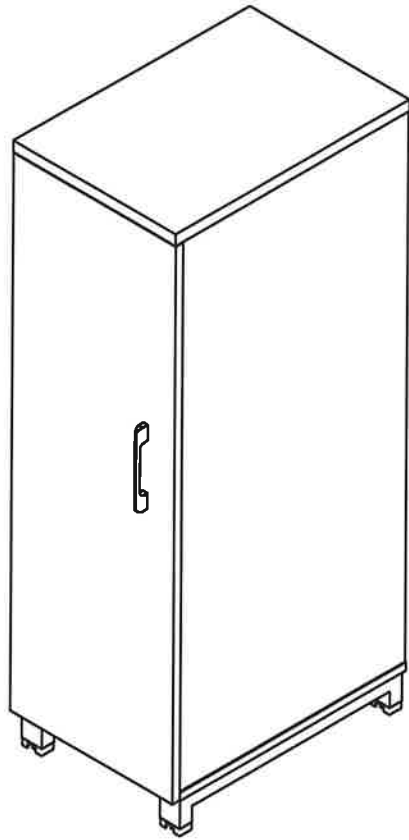
7. USE "C" COVER STICKERS TO COVER ALL EXPOSED KLIX CAMS.
C(16X)



8. COMPLETE.



Right door.



Left door.