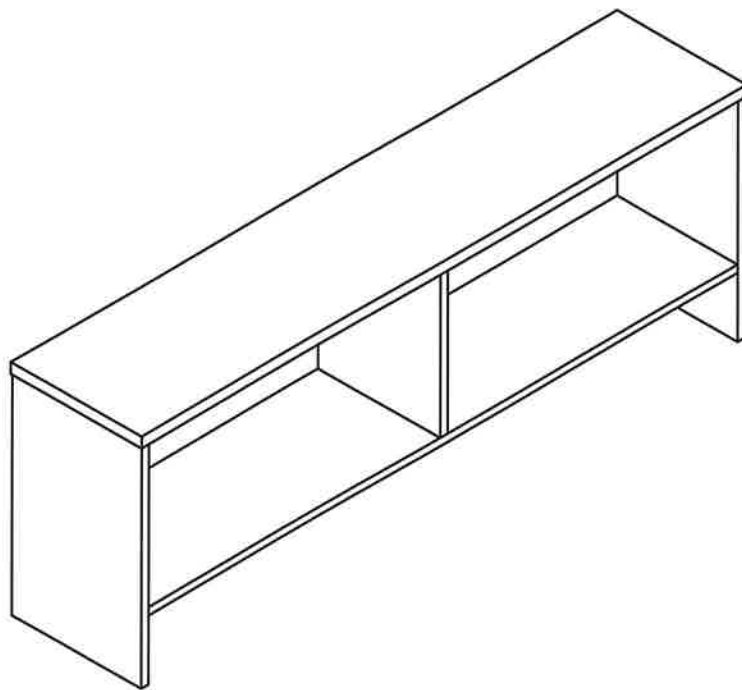


NBF



71" Hutch Assembly Instructions







O-EHC-1832D

1.

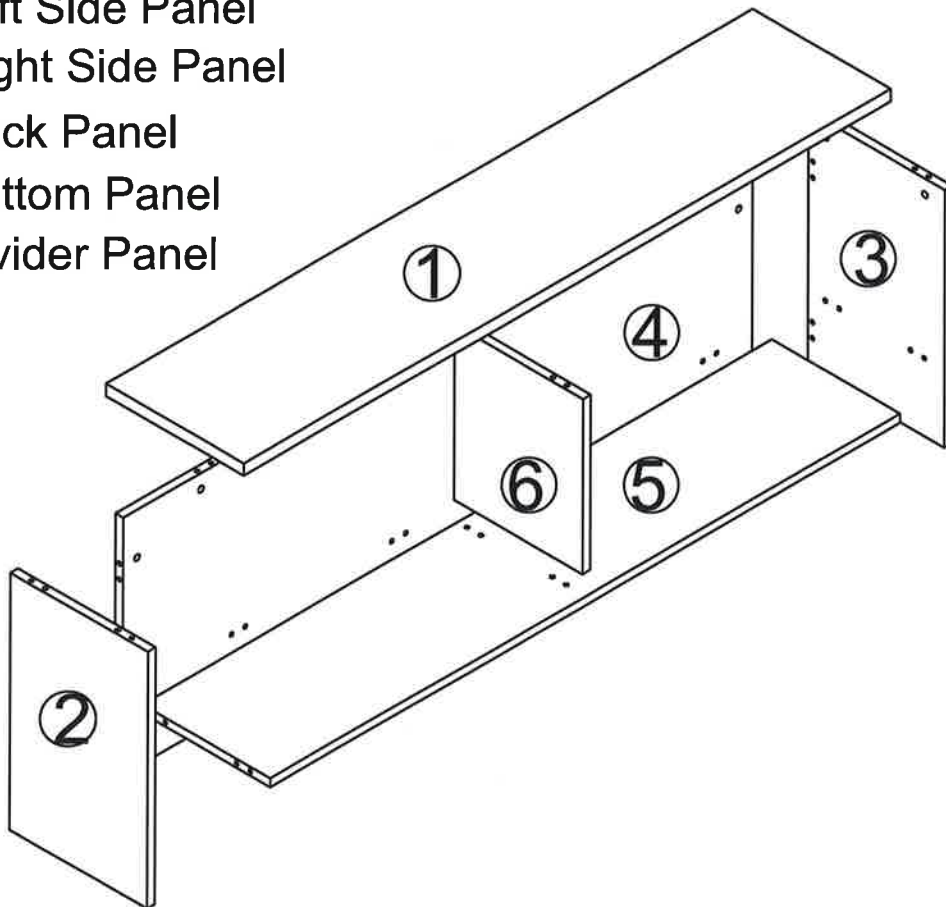


Assembly HARDWARE

S/N	PICTURE	NAME	TOTAL QTY	REMARK
A		Cam lock	24+1PCS	
B		Klix Cam	24+1PCS	
C		Cam cover	24+1PCS	
D		Dowel	24+1PCS	

PART LIST

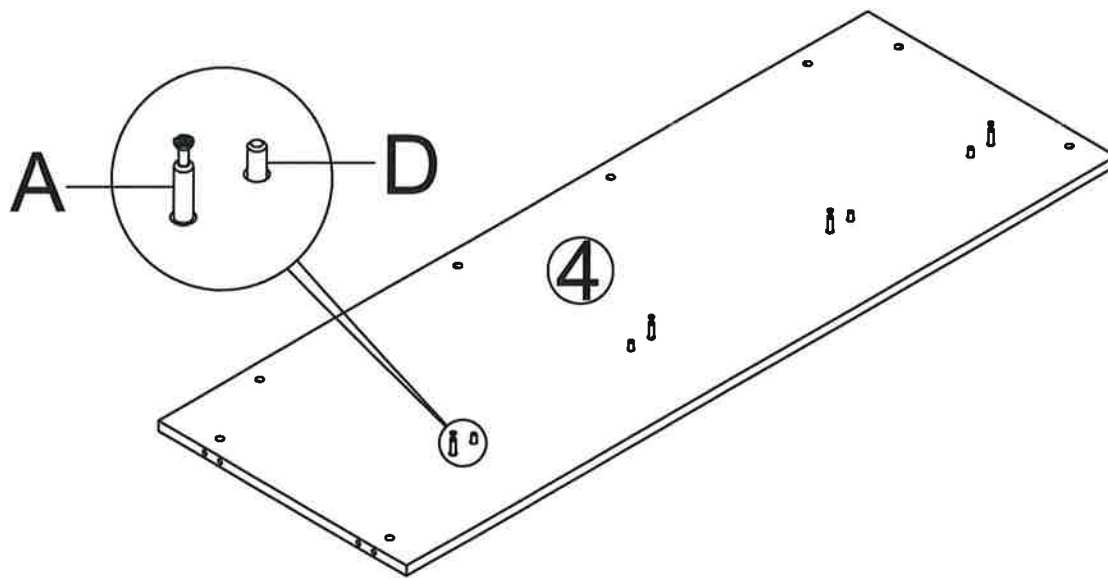
- ① Top Panel
- ② Left Side Panel
- ③ Right Side Panel
- ④ Back Panel
- ⑤ Bottom Panel
- ⑥ Divider Panel



1. INSTALL "A" CAM SCREWS AND "D" DOWELS ON BACK PANEL ④.

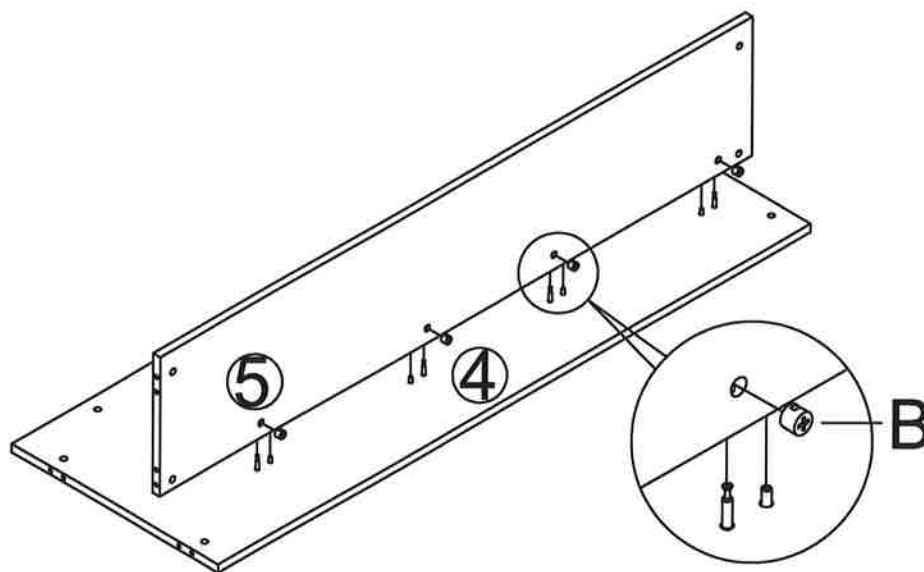
A(4x)

D(4X)

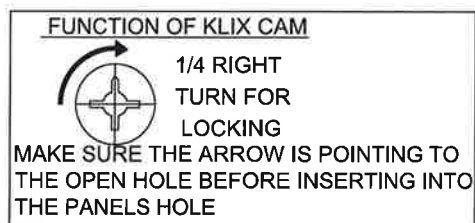


2. INSTALL "B" KLIX CAMS INTO BOTTOM PANEL ⑤. CONNECT PANEL ⑤ TO ④ USING "A" CAM SCREWS AND "D" DOWELS. TIGHTEN.

B(4X)



IMPORTANT:



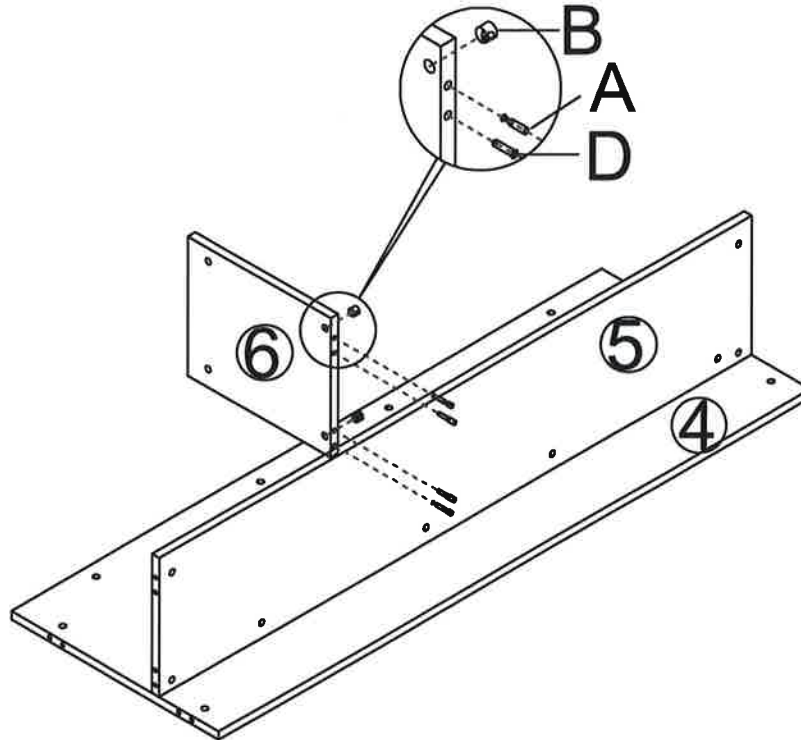
3.

3. INSTALL "A" CAM SCREWS & "D" DOWELS ON PANEL ⑤. INSTALL "B" KLIX CAMS ON PANEL ⑥. THEN CONNECT PANEL ⑥ TO ⑤. TIGHTEN.

A(2X)

B(2x)

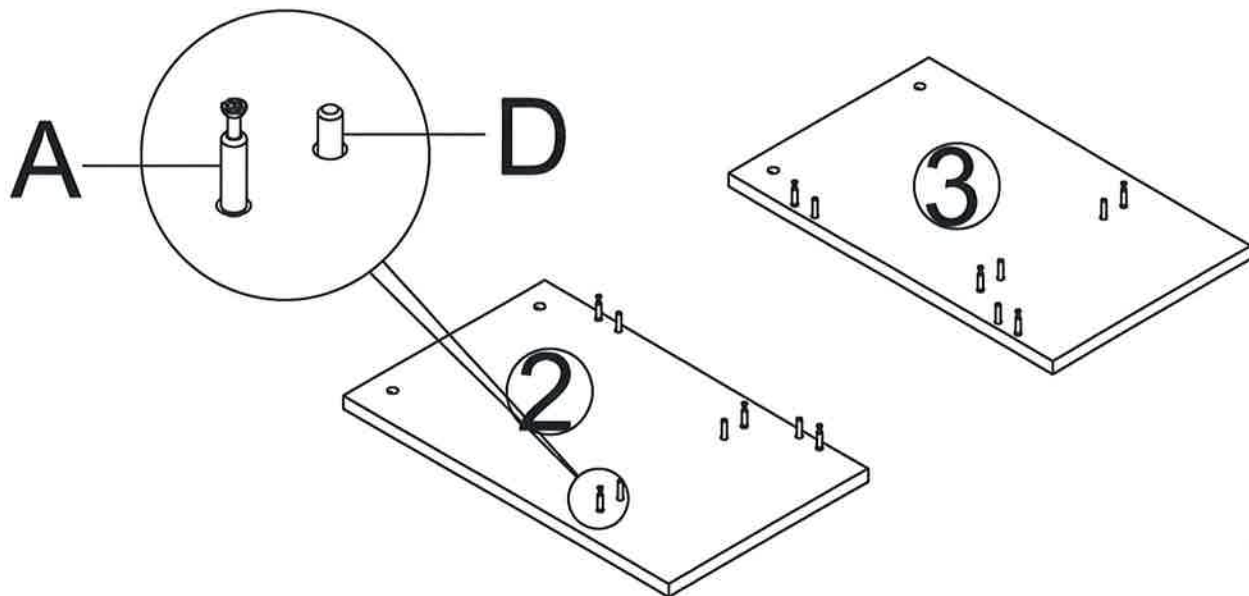
D(2X)



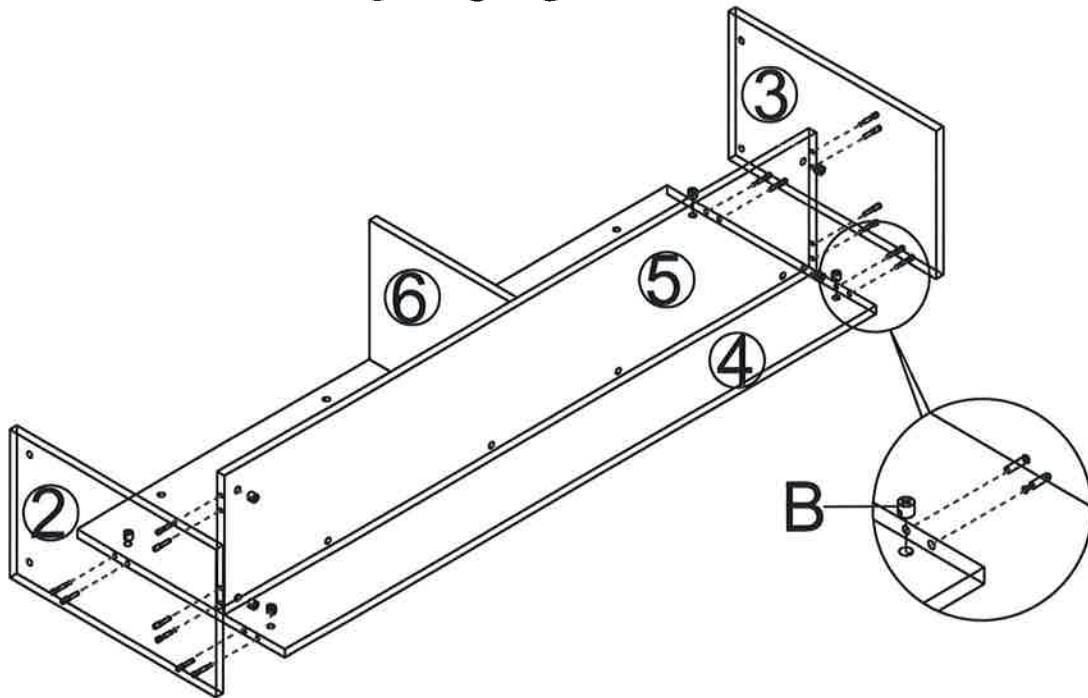
4. INSTALL "A" CAM SCREWS AND "D" DOWELS ON SIDE PANELS ② & ③ .

A(8x)

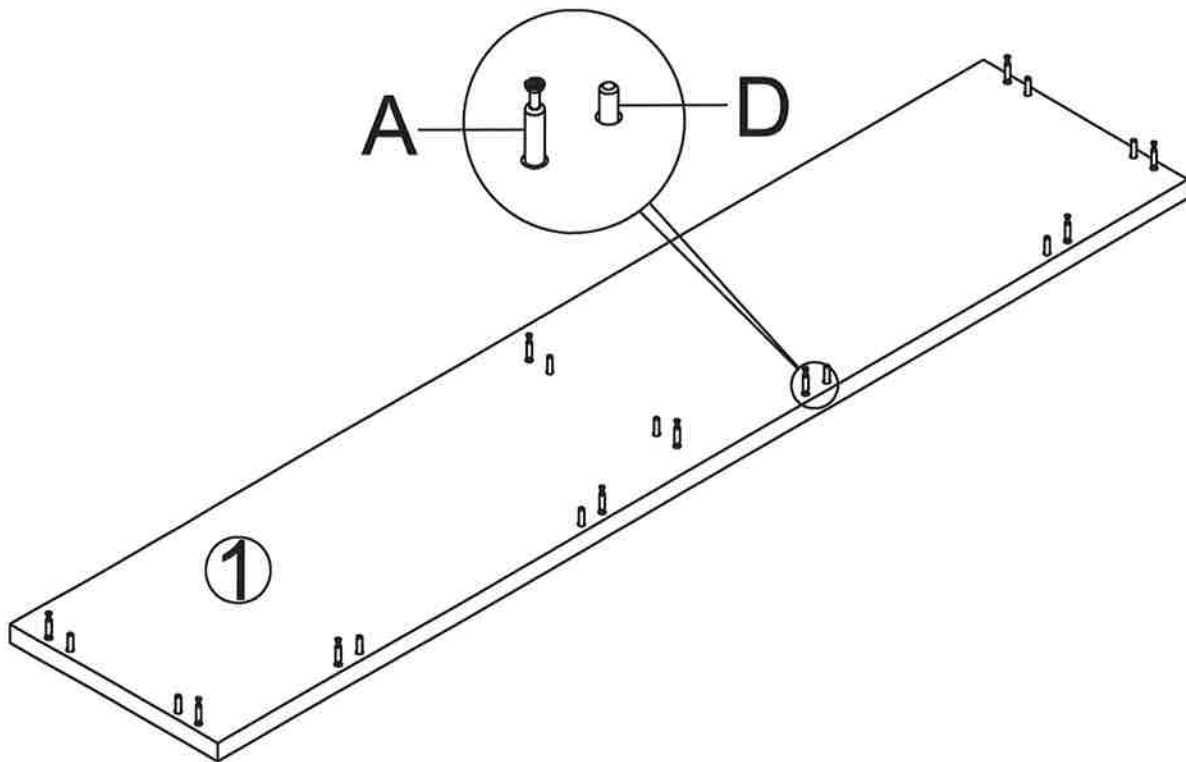
D(8X)



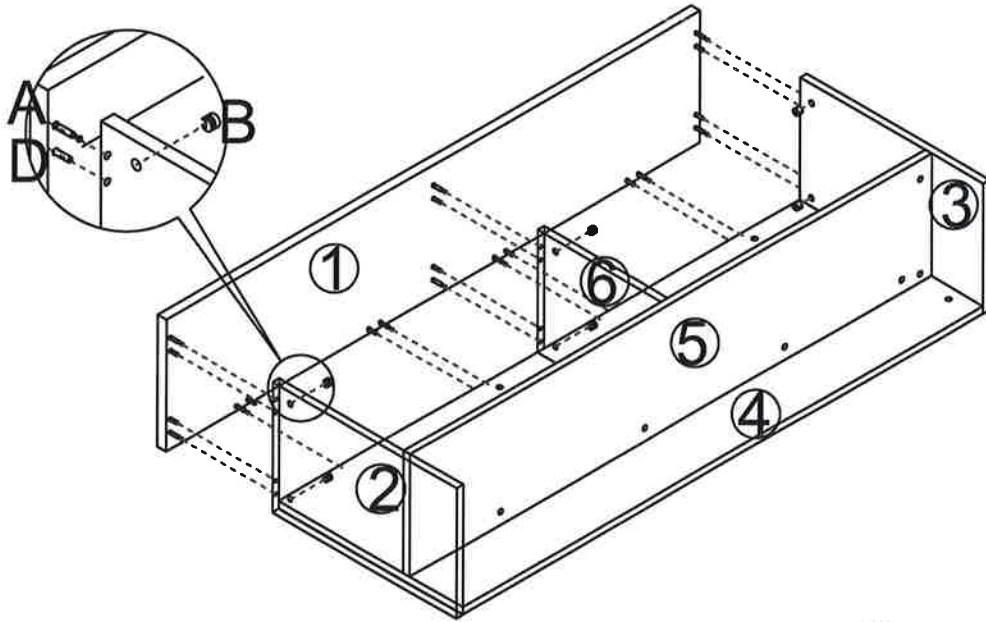
5. INSTALL "B" KLIX CAMS INTO PANELS ④ & ⑤ .CONNECT SIDE PANELS ② TO ④ & ⑤ USING INSTALLED "A" CAM SCREWS AND "D" DOWELS, TIGHTEN. REPEAT TO CONNECT PANEL ③ TO ④ & ⑤ .
B(8X)



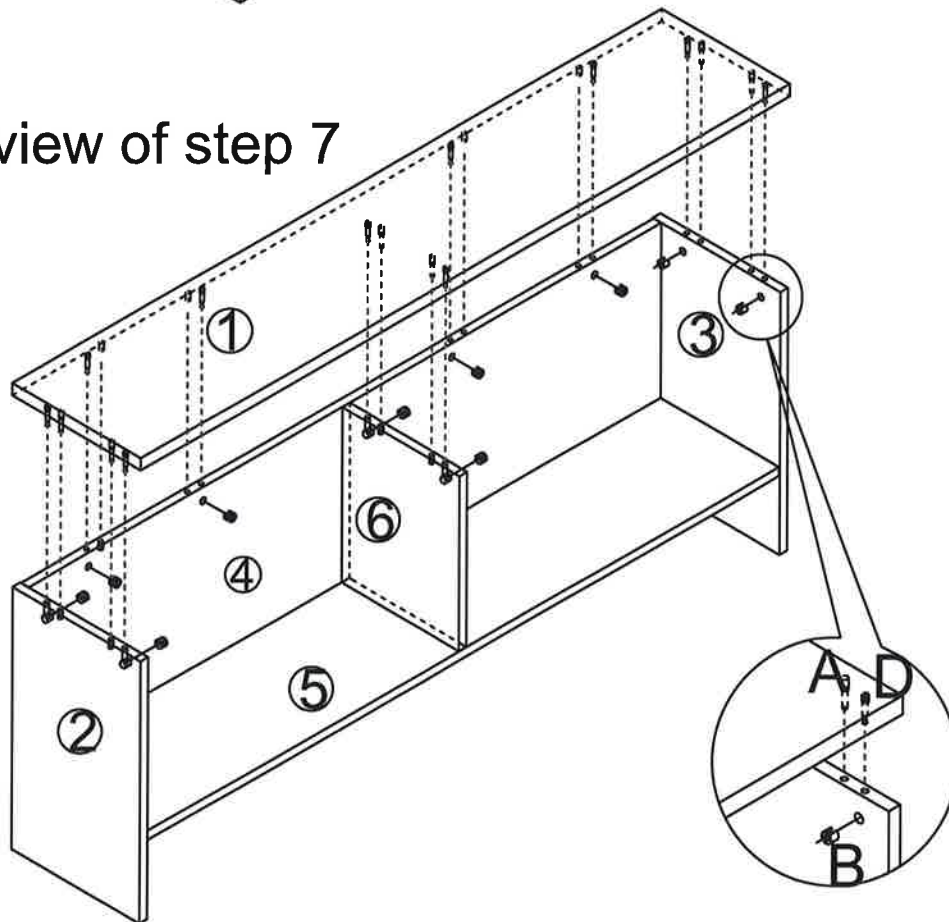
6. INSTALL "A" CAM SCREWS AND "D" DOWELS ON UNDERSIDE OF PANEL ① .
A(10x)
D(10X)



7. INSTALL "B" KLIX CAMS INTO PANELS ②③④ & ⑥ .CONNECT TOP PANEL ① TO ② ③ ④ & ⑥ USING INSTALLED "A" CAM SCREWS AND "D" DOWLS, TIGHTEN.
B(10X)

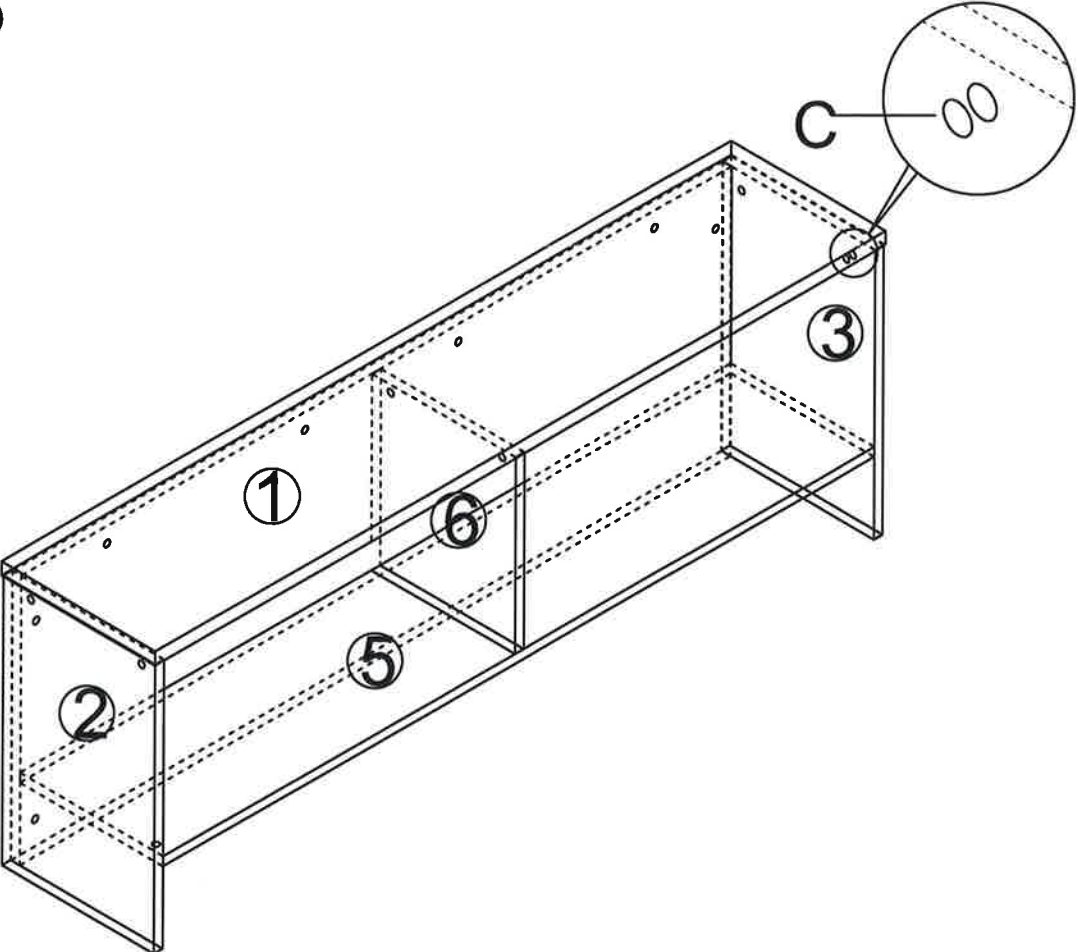


Another view of step 7



8. USE "C" CAM COVER STICKERS TO COVER ALL EXPOSED KLIX CAMS.

C(24X)



9. COMPLETE.

