








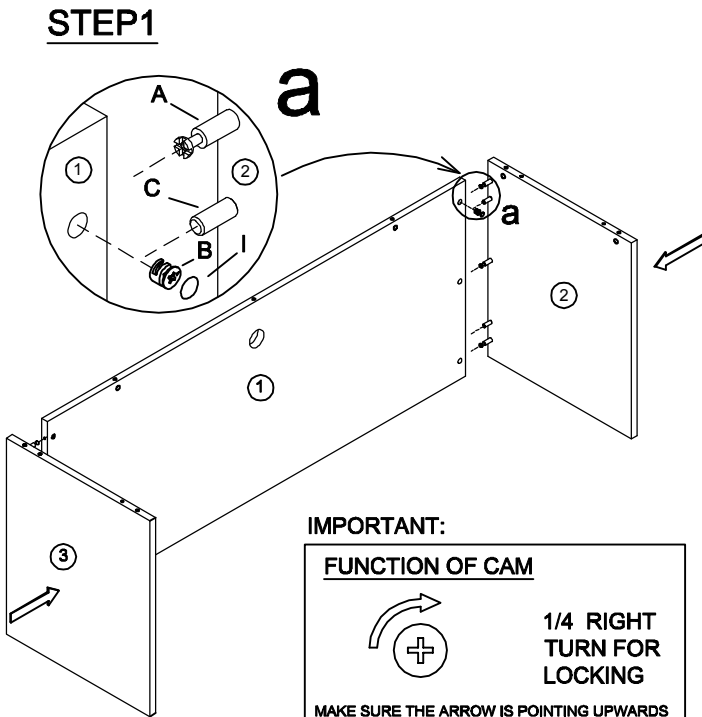


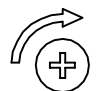
Credenza Shells

LO2/08-22

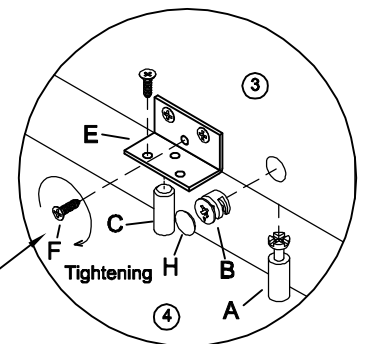
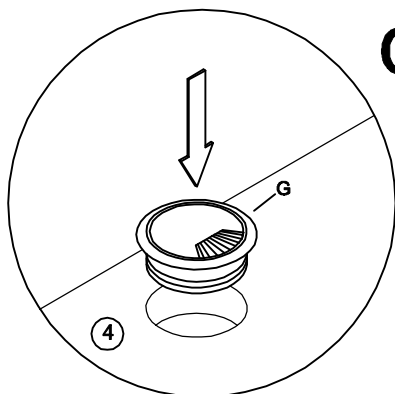
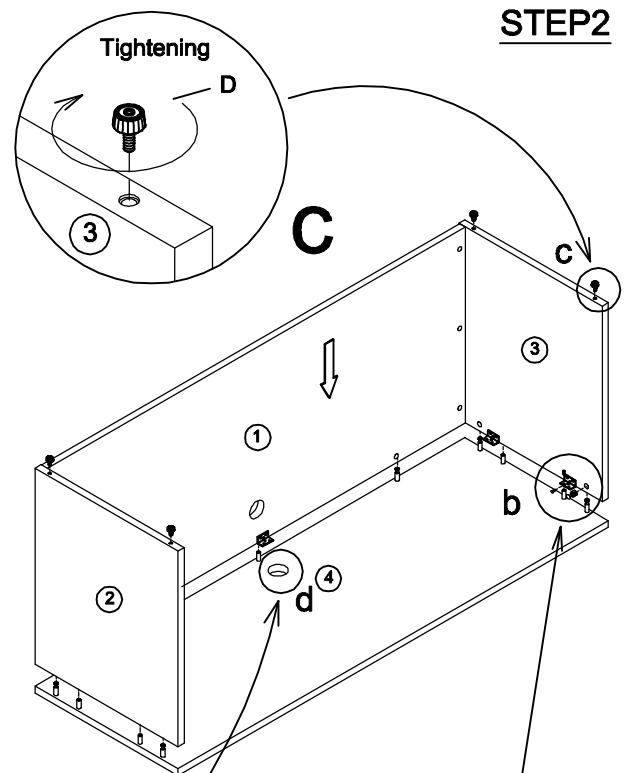
CONC10	CONC11	DOWEL	GLIDE	TUN013LB	TUN018SC	TUN015BG	PLASTIC CAP	PLASTIC CAP
A  Cam Lock Pin 12Pcs+2Pcs	B  Cam Lock 12Pcs+2Pcs	C  Dowel 9Pcs+2Pcs	D  Glide 4Pcs	E  L-Bracket 5Pcs	F  Screw #4"x" 30Pcs+5Pcs	G  Grommet 2Pcs	H  DEEP CAMLOCK CAP 4Pcs+1Pcs	I  CAMLOCK CAP 8Pcs+1Pcs

STEP1



IMPORTANT:
FUNCTION OF CAM

 1/4 RIGHT
 TURN FOR
 LOCKING
 MAKE SURE THE ARROW IS POINTING UPWARDS
 BEFORE INSERTING INTO THE PANEL'S HOLE.

STEP2



IMPORTANT:
 IF INSTALLING PEDESTAL;
 BRACKETS ON END NOT REQUIRED.

b

IMPORTANT NOTE:

- It is advisable to assemble unit on a carpet to avoid scratch.
- Check to be sure that you have all parts and hardware.
- Don't tighten all screws/bolts until all completely assembled.
- It is recommended to require 2 persons to complete the assembling.