


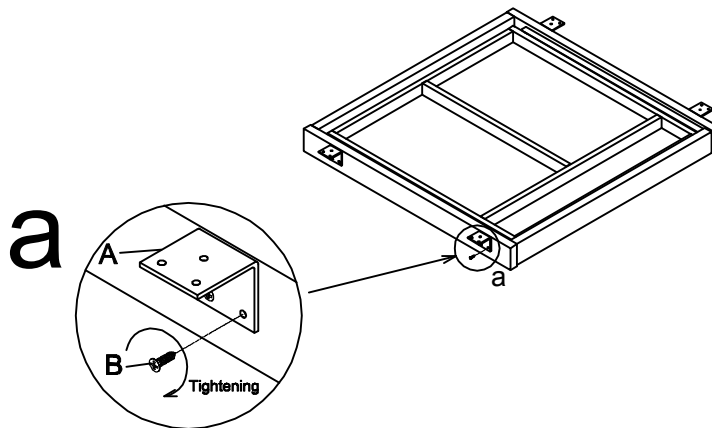


## Center Drawer

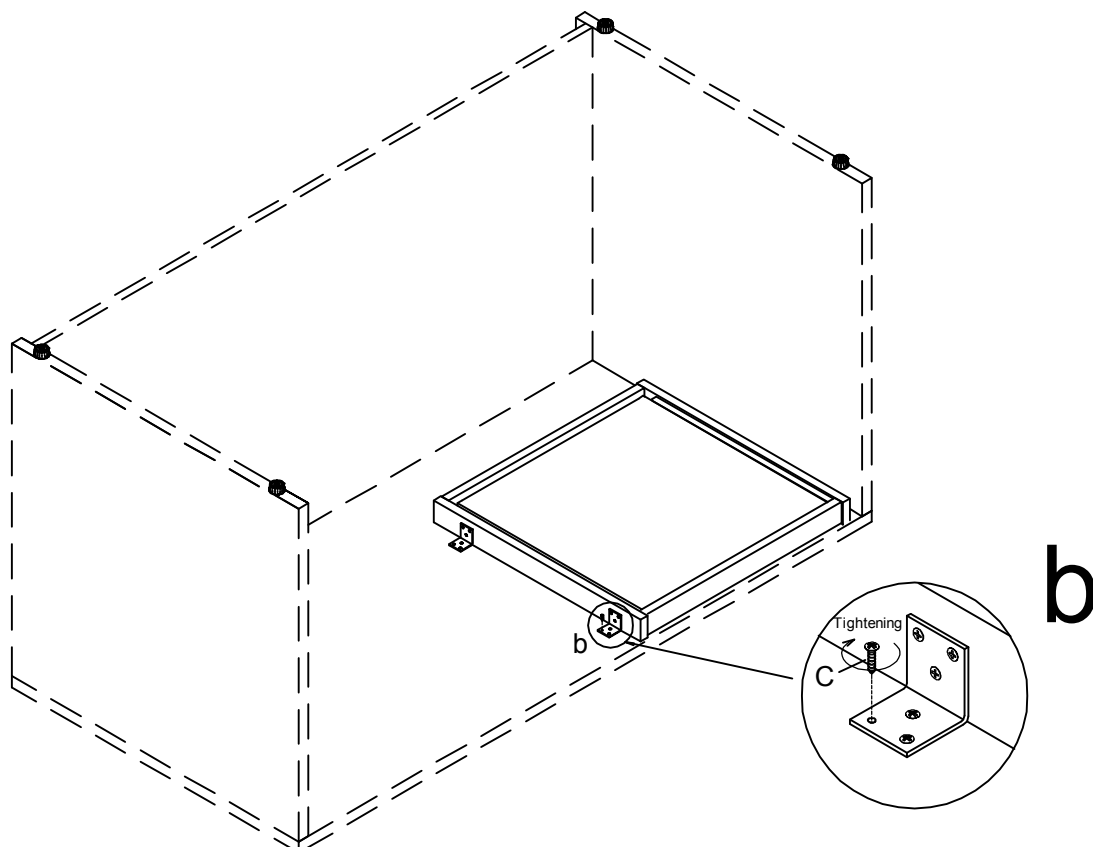
LO2/08-22

TUN013LB	SCREW	SCREW
<b>A</b> 	<b>B</b> 	<b>C</b> 
L-Bracket 4Pcs	Screw #4*14 12Pcs+2Pcs	Screw #4*20 12Pcs+2Pcs

### STEP1



### STEP2



#### IMPORTANT NOTE:

- It is advisable to assemble unit on a carpet to avoid scratch.
- Check to be sure that you have all parts and hardware.
- Don't tighten all screws/bolts until all completely assembled.
- It is recommended to require 2 persons to complete the assembling.