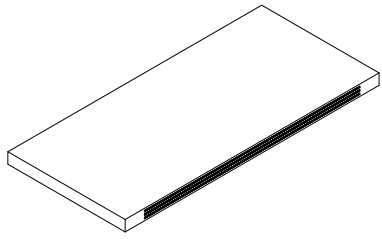
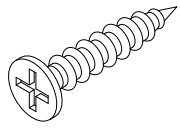


(1) NAP-14



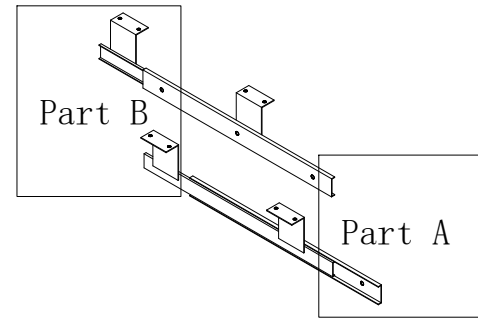
1PC

(E0) Wood Screw



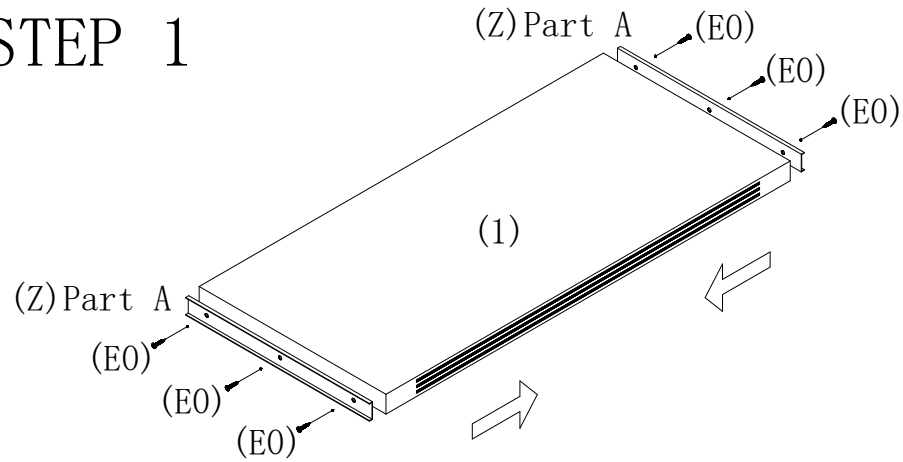
14PCS+2

(Z) Ball Bearing Slide

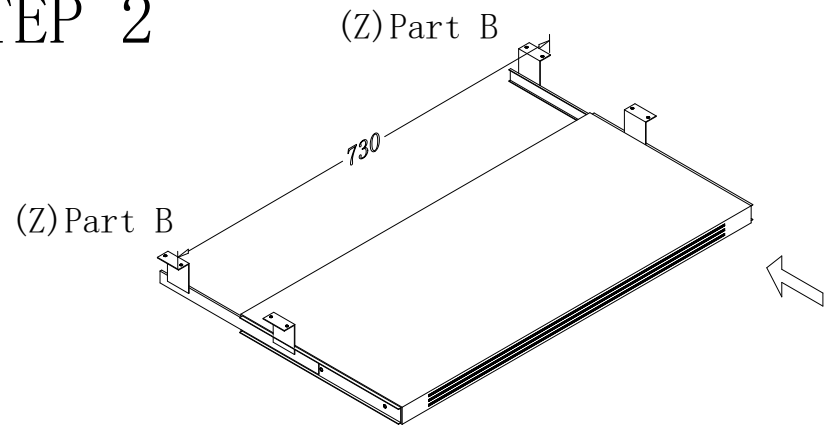


2PCS

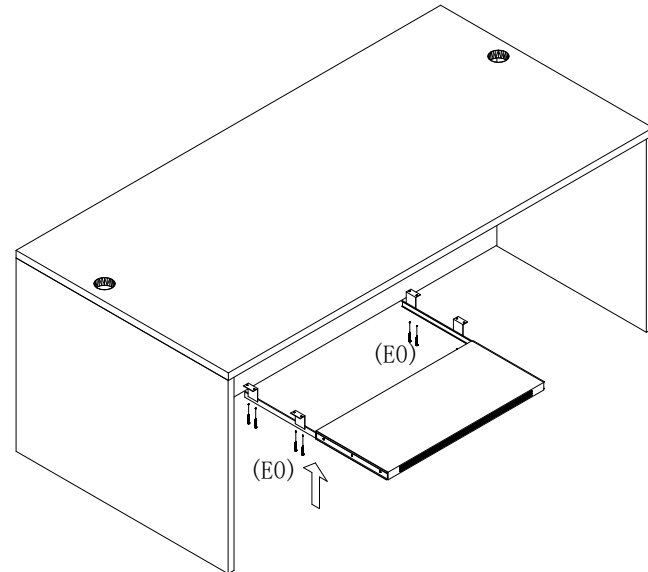
STEP 1



STEP 2



STEP 3



KEYBOARD TRAY
NAP-14



Always lay components on A clean, soft-cushioned surface during assembly.