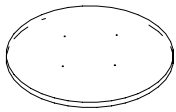
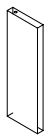
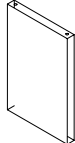
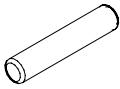
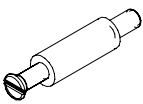
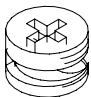

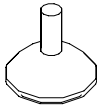
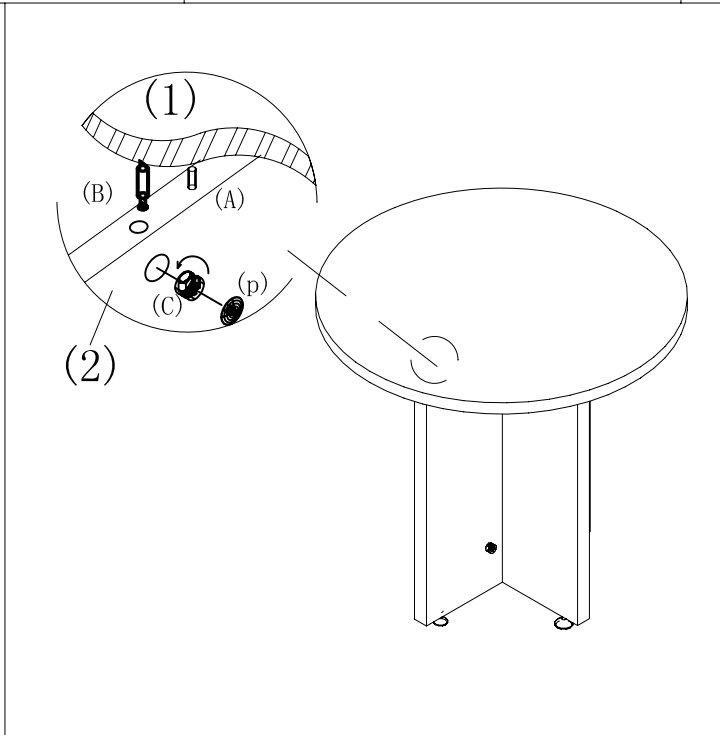
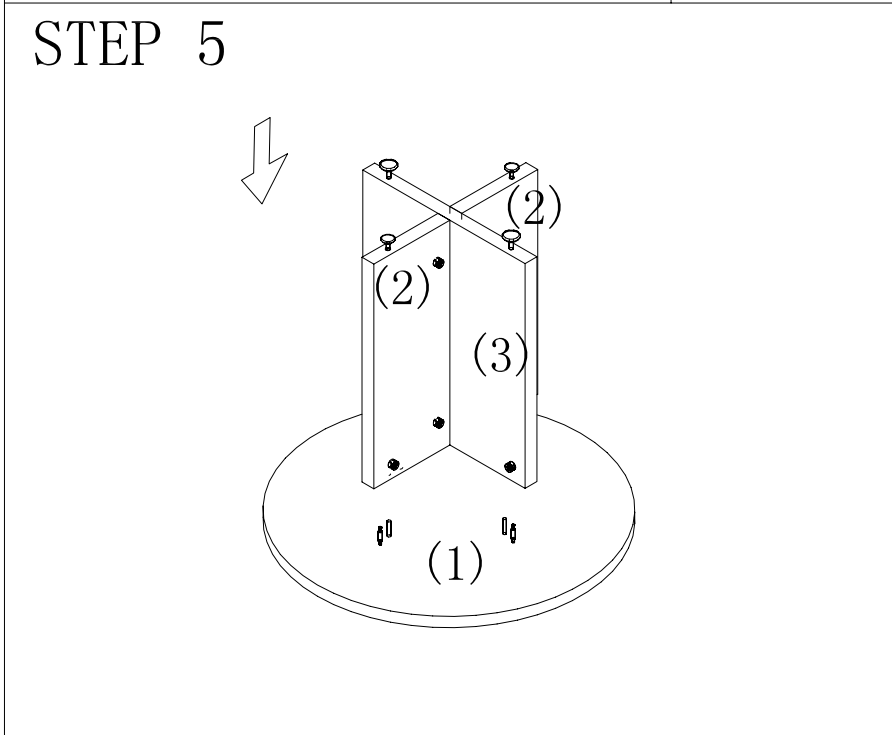
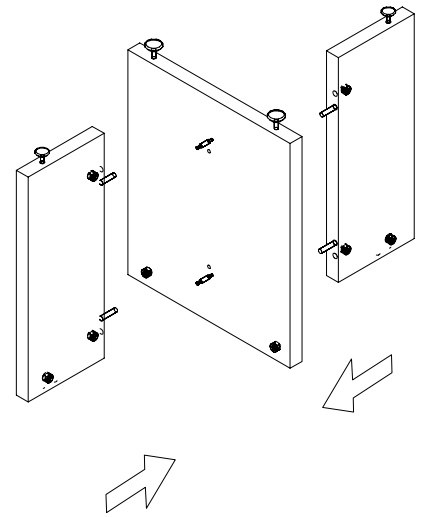
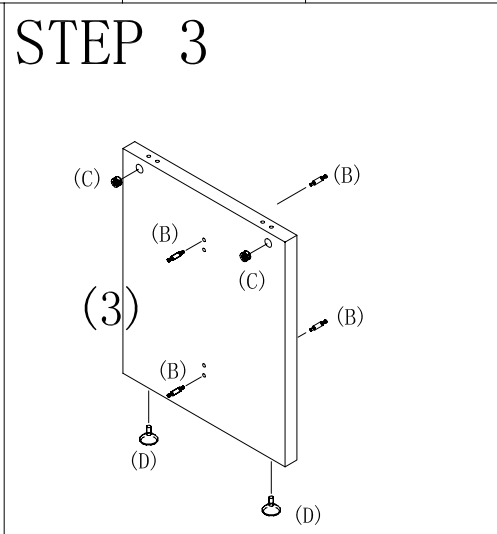
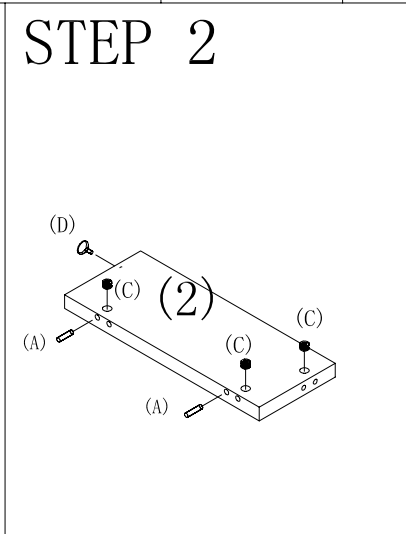
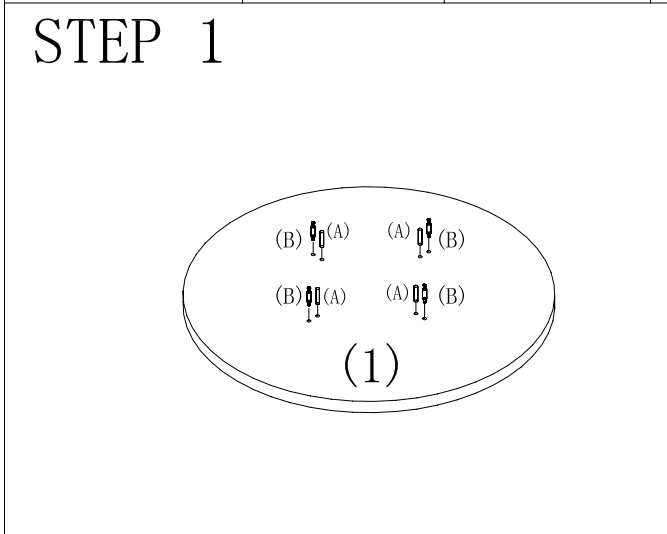


| | | | | | | | |
|--|---|--|--|---|---|--|--|
| (1) Top  1PCS | (2) Center Support  2PCS | (3) Base  1PCS | (A) Dowel  8PCS+1 | (B) Cam Pin  8PCS+1 | (C) Cam Lock  8PCS+1 | (p) Cam Cover  8PCS+1 | (D) Leg leveler  4PCS |
|--|---|--|--|---|---|--|--|

STEP 4



42" ROUND TABLE TOP & BASE

NAP-27
φ42"*29"H

OSP
furniture

877-OSP-WORX
(677-9679)

Always lay components on A clean, soft-cushioned surface during assembly.