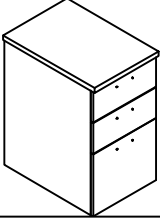
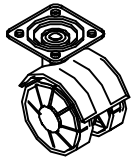


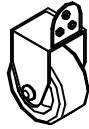
Cabinet



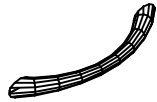
z1 Wheel



z2 Wheel



H Handle



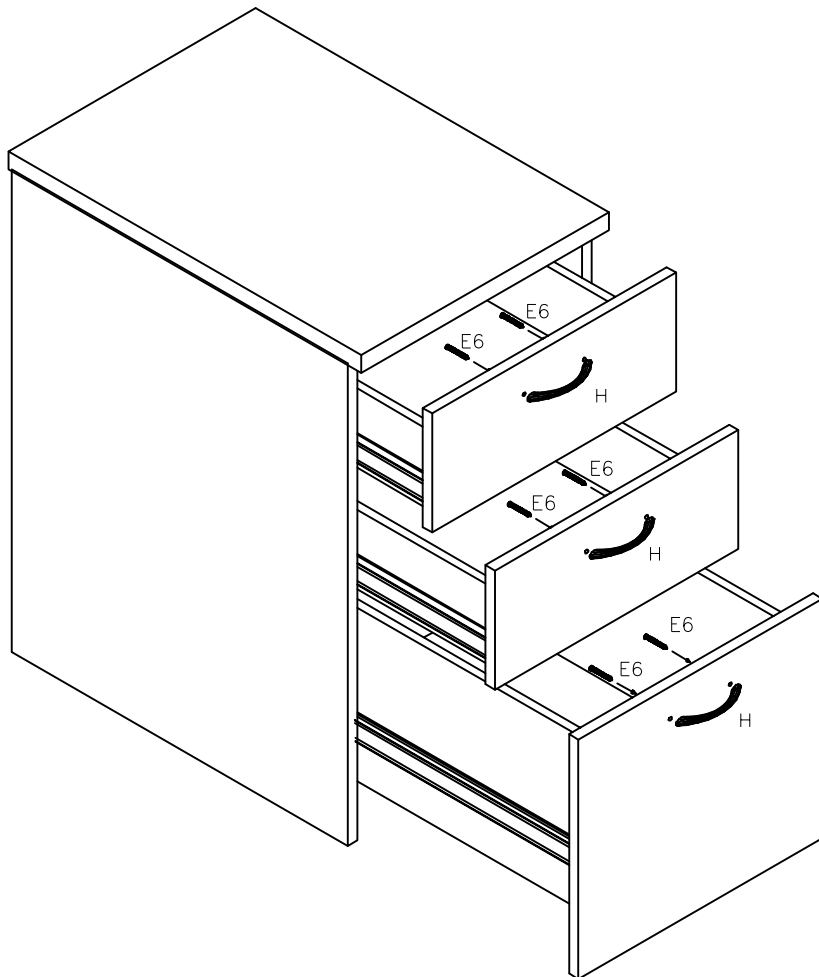
E4 Wood Screw



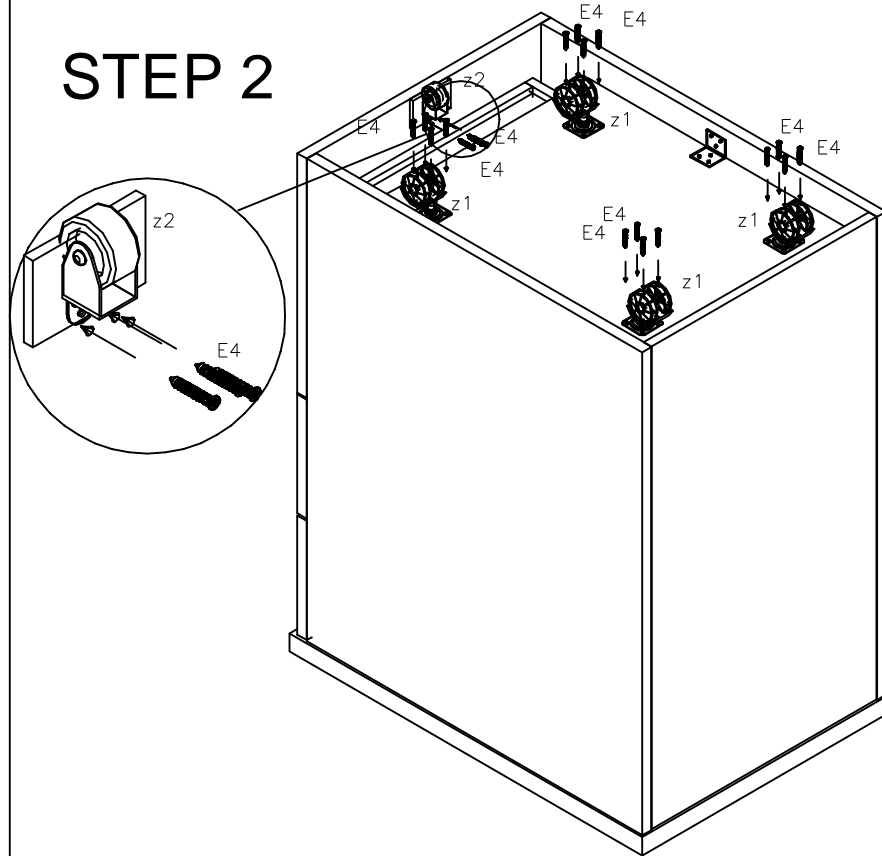
E6 Cap Screw



# STEP 1



# STEP 2



MOBILE B/B/F PED-DESK

## NAP-85



877-OSP-WORX  
(677-9679)

*Always lay components on A clean,  
soft-cushioned surface during assembly.*