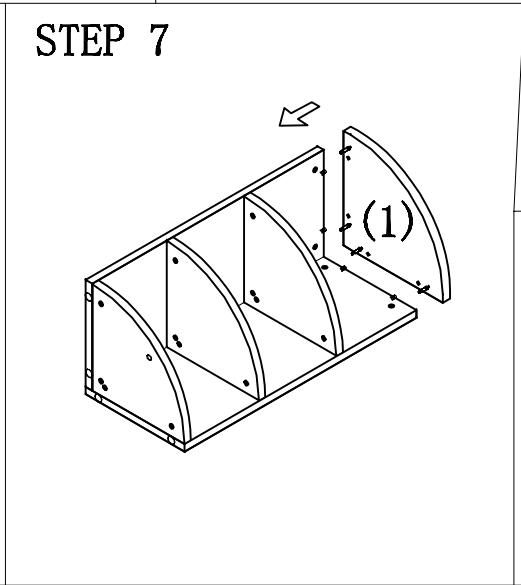
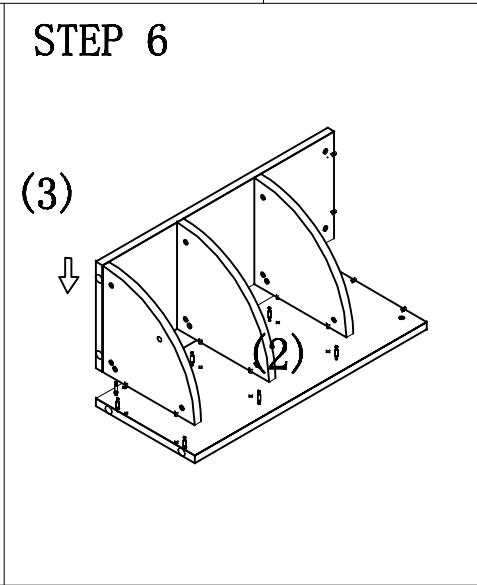
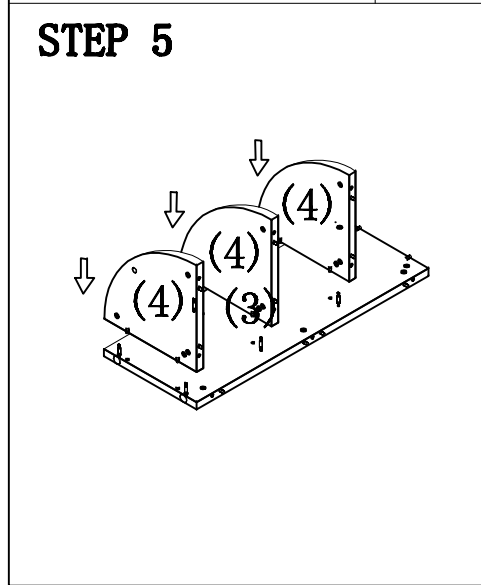
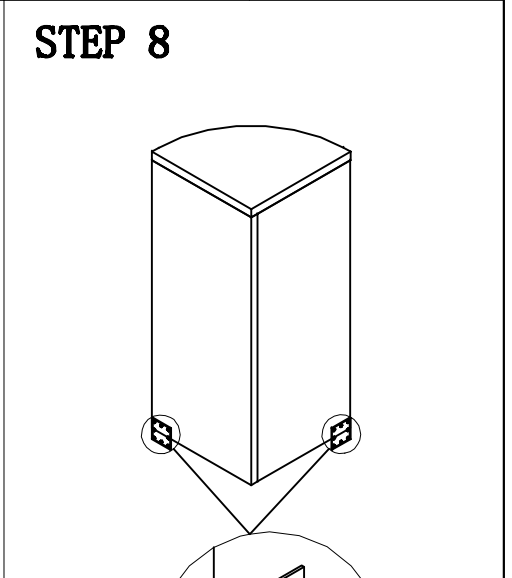
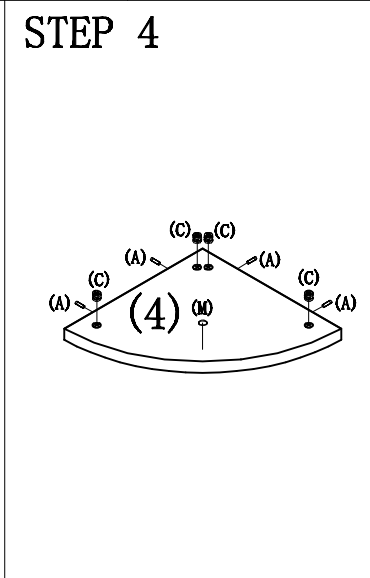
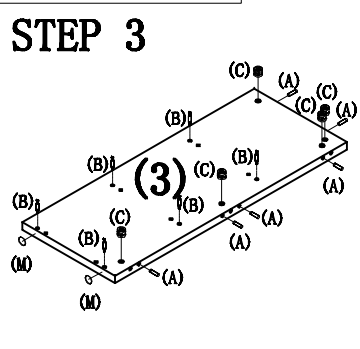
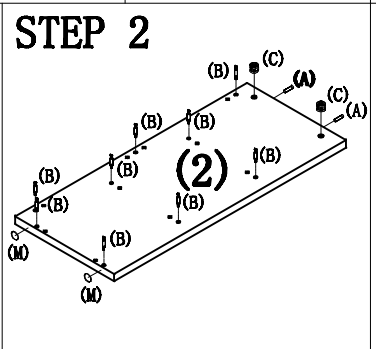
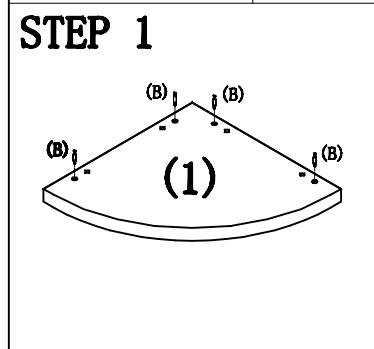


(1) Top 1PC	(2) End Panel 1PC	(3) End Panel 1PC	(4) Bottom Panel/Shelf 3PCS	(A) Dowel 20PCS	(B) Cam Pin 19PCS	(C) Cam Lock 19PCS+1
----------------------------------	--	--	--	--------------------------------------	--	---

(P) Adhesive Cam Cover 19PCS	(M) Cushion 5PCS	(E4) Wood Screw 12PCS+1	(R) Flat Bracket 2PCS
---	---------------------------------------	--	--



HIGH QUARTER-ROUND OPEN HUTCH
NAP-253
 15"W*15"D*36"H

877-OSP-WORX
 (677-9679)

Always lay components on A clean, soft-cushioned surface during assembly.