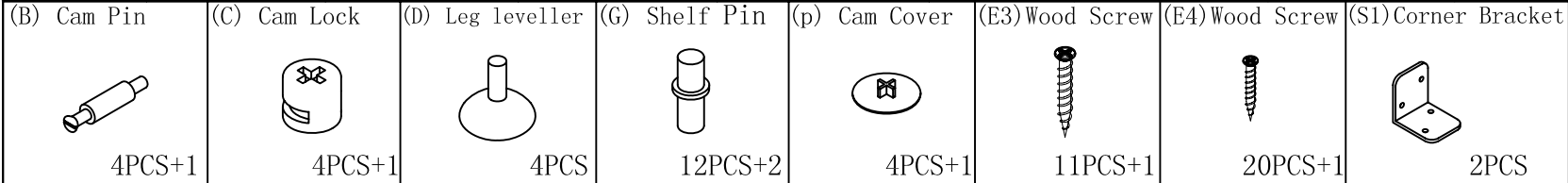
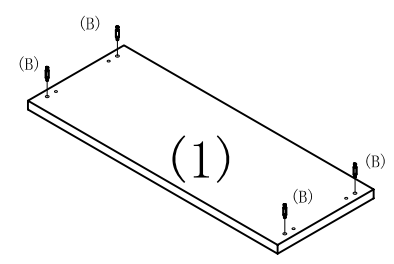
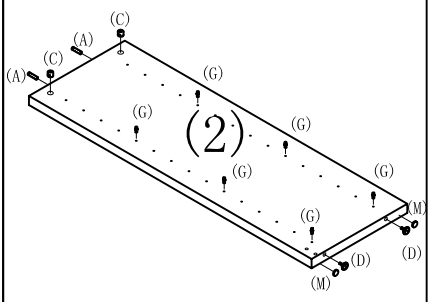


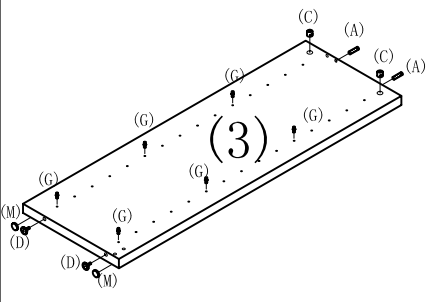
STEP 1



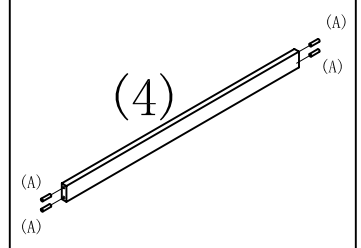
STEP 2



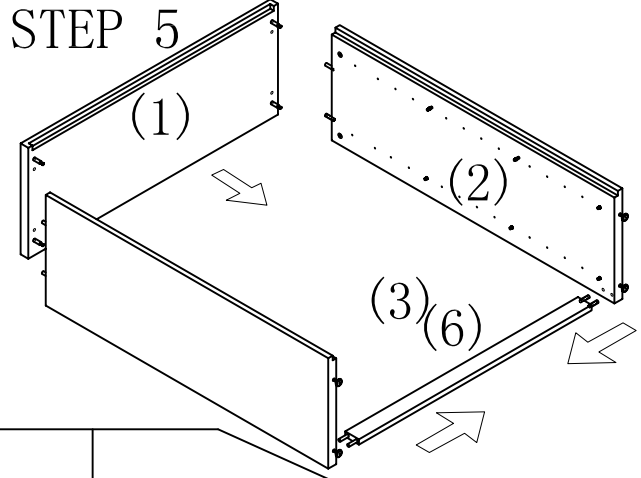
STEP 3



STEP 4

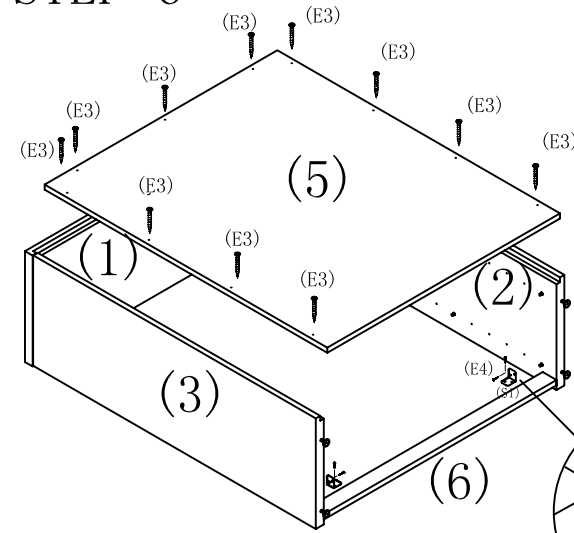


STEP 5

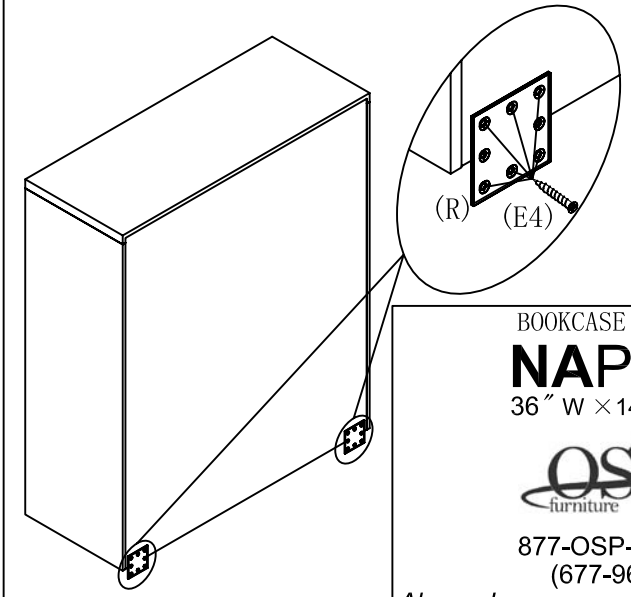
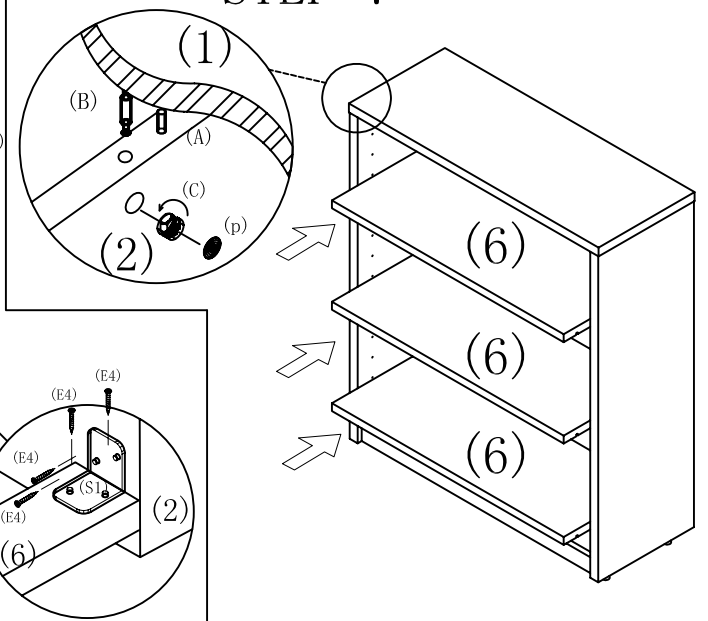


STEP 8

STEP 6



STEP 7



BOOKCASE 42" H
NAP-55
 36" W × 14" D × 42" H

877-OSP-WORX
 (677-9679)

Always lay components on A clean, soft-cushioned surface during assembly.