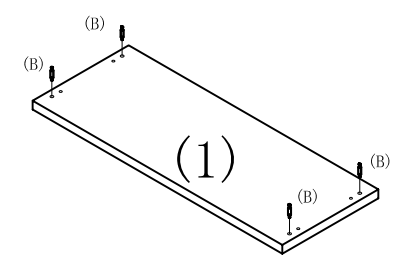
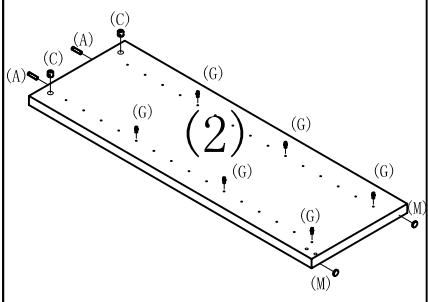


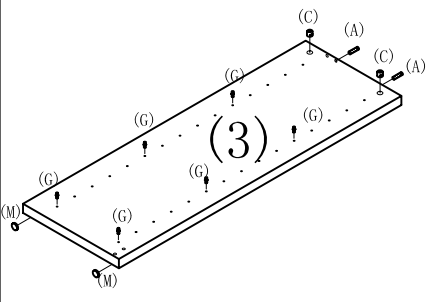
### STEP 1



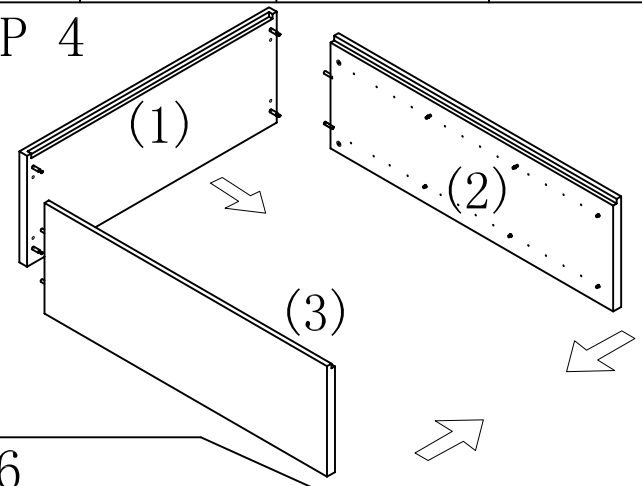
### STEP 2



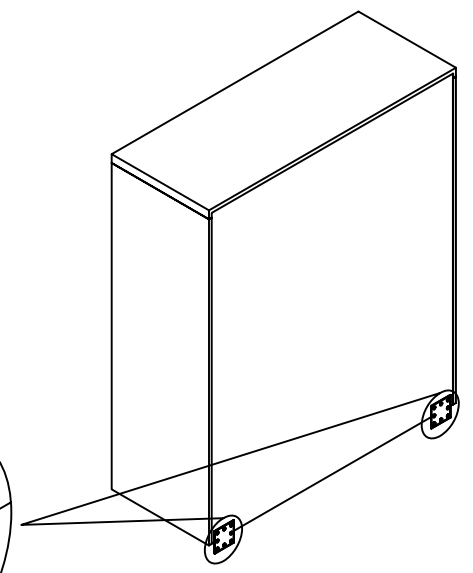
### STEP 3



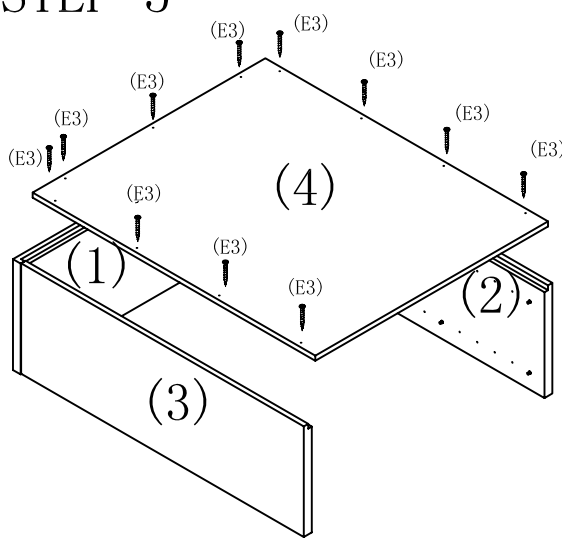
### STEP 4



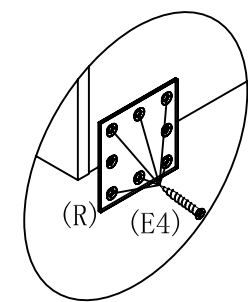
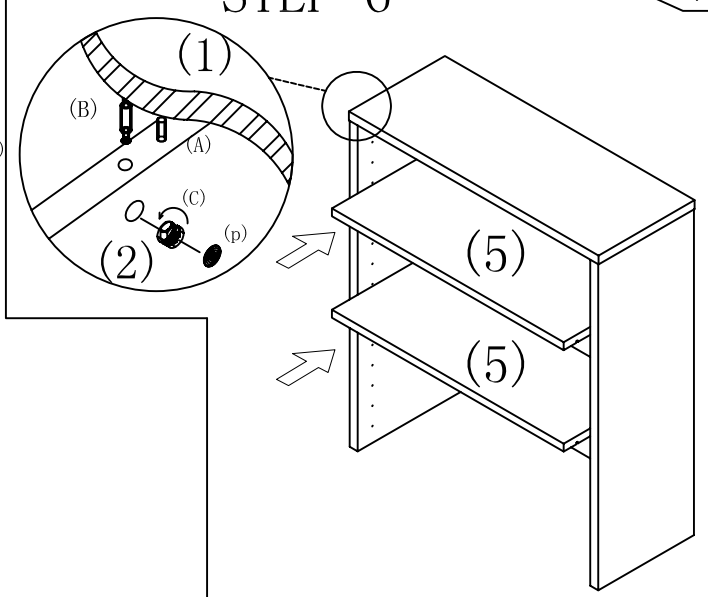
### STEP 7




### STEP 5



### STEP 6



BOOKCASE 36" H  
**NAP-53**  
 36" W x 14" D x 36" H



877-OSP-WORX  
 (677-9679)

*Always lay components on a clean, soft-cushioned surface during assembly.*