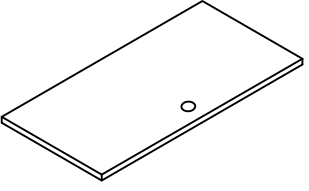
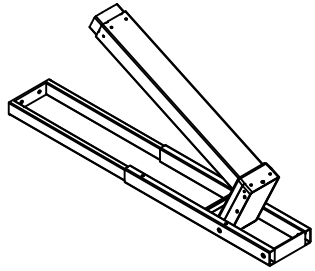
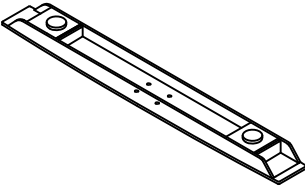
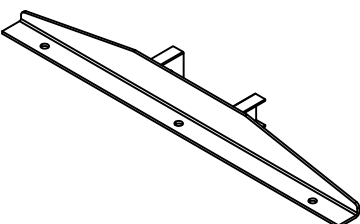
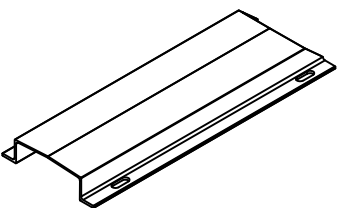
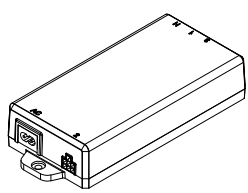
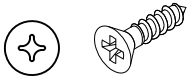


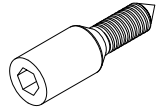

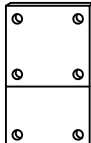

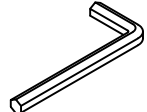
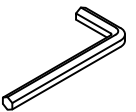
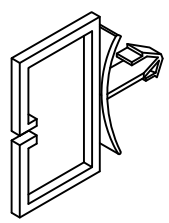


COMPONENTS

<p>(A) Return top x 1</p>  <p>(SKU#: <b>TOP4224R</b> Separately Packed)</p>	<p>(B) Adi Table Frame with Lifting Column x 1</p> 	<p>(C) Foot with Leveling Glides x 1</p> 	<p>(D) Top Support Bracket x 1</p> 
<p>(E) Cable Management Tray x 1</p> 	<p><b>AT-CB3</b></p>  <p>(Separately Packed)</p>		

HARDWARE & TOOLS

<p>(F)</p>  <p>4mm x 20mm Wood Screw x12</p>	<p>(G)</p>  <p>M6 x 12mm Machine Screw Lock Washer Flat Washer x2</p>	<p>(H)</p>  <p>M6 x 15mm Machine Screw Lock Washer Flat Washer x8</p>	<p>(I)</p>  <p>M6 x 33mm Machine Screw x2</p>
<p>(J)</p>  <p>5mm x 20mm Wood Screw x5</p>	<p>(K)</p>  <p>Mounting Plate x2</p>	<p>(L)</p>  <p>4mm x 20mm Wood Screw (Hardware Included in Box of AT22)</p>	<p>(M)</p>  <p>5mm Hex Wrench x1</p>
<p>(N)</p>  <p>4mm Hex Wrench x1</p>	<p>(O)</p>  <p>Wire Clip x2</p>		

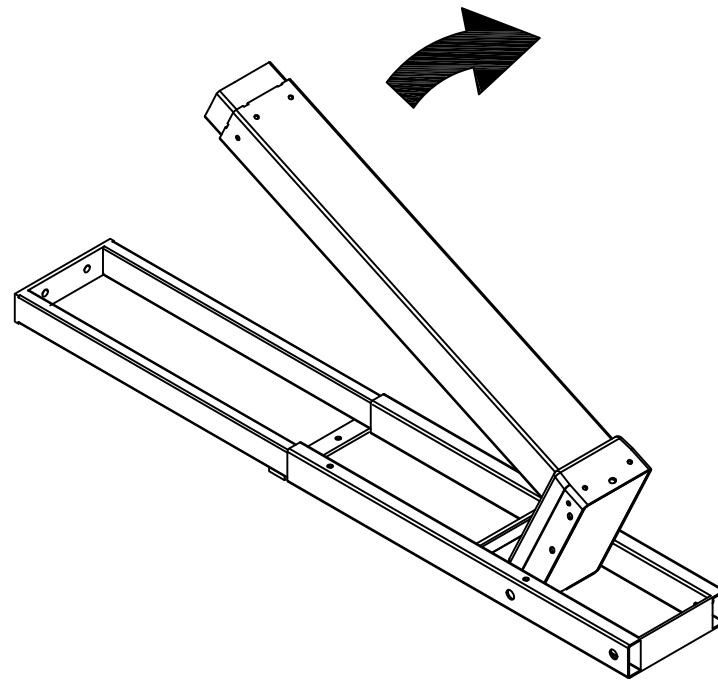
INSTRUCTIONS - Do not use power tools to assemble



NOTE: Before installing the Return Base Frame, please refer to Instructions of AT22 to assemble the Starter Base of the L Desk.

Next steps are installing the Return Base and the completed desk.

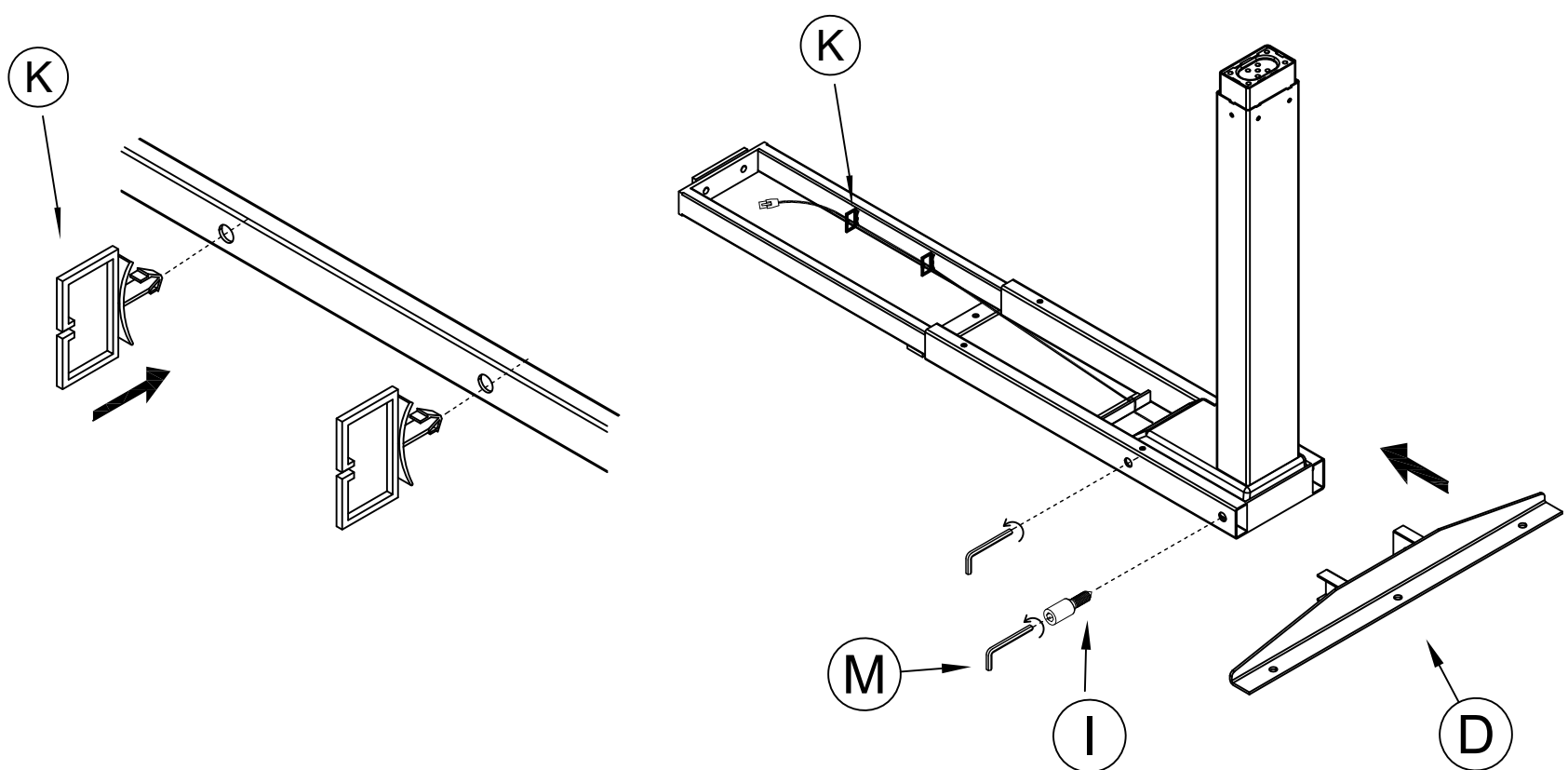
STEP 1



STEP 2

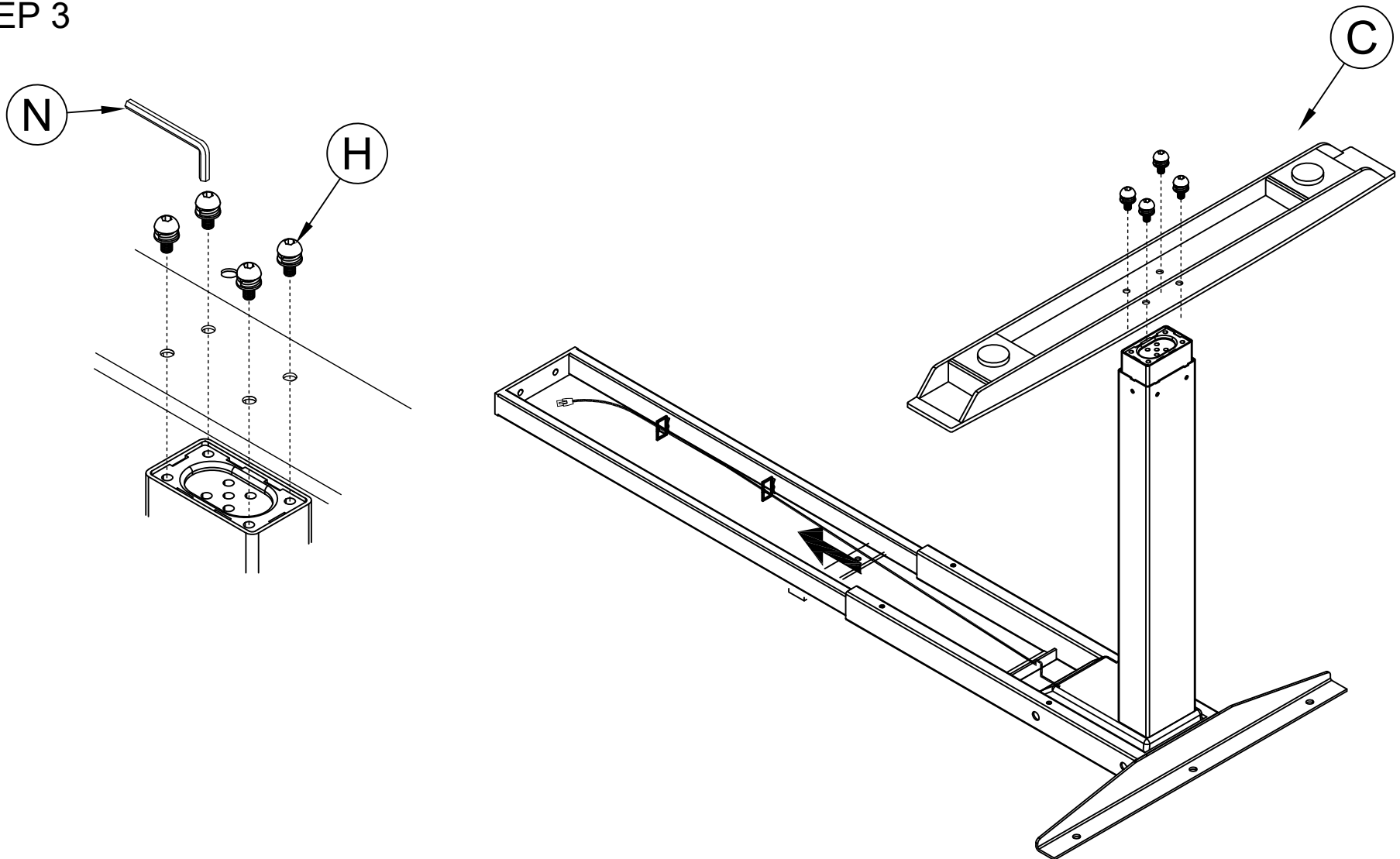


NOTE: Lifting column is pre-installed to adjustable return frame and is folded down toward center of adjustable return frame for shipping.

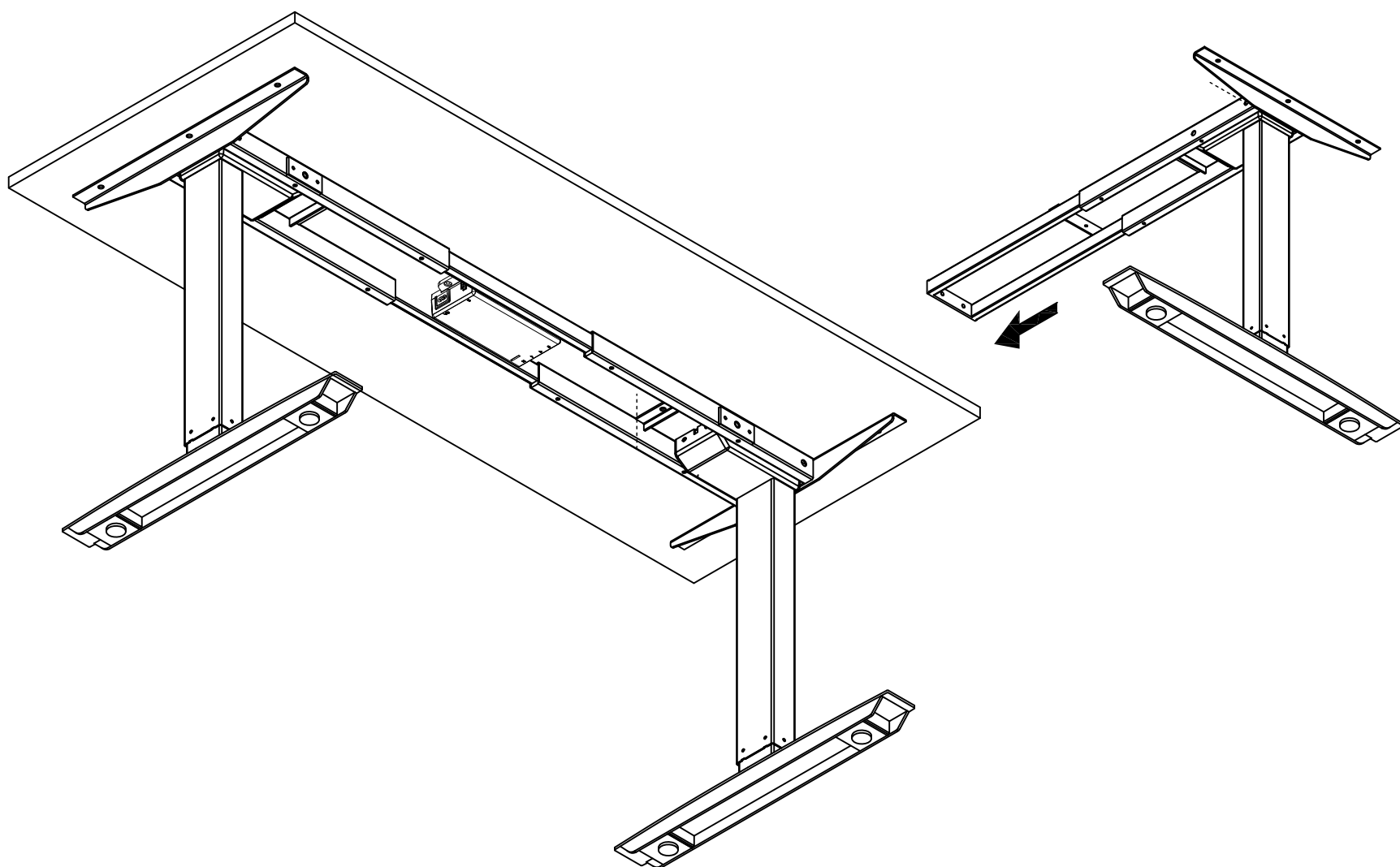


INSTRUCTIONS - Do not use power tools to assemble

STEP 3



STEP 4



INSTRUCTIONS - Do not use power tools to assemble

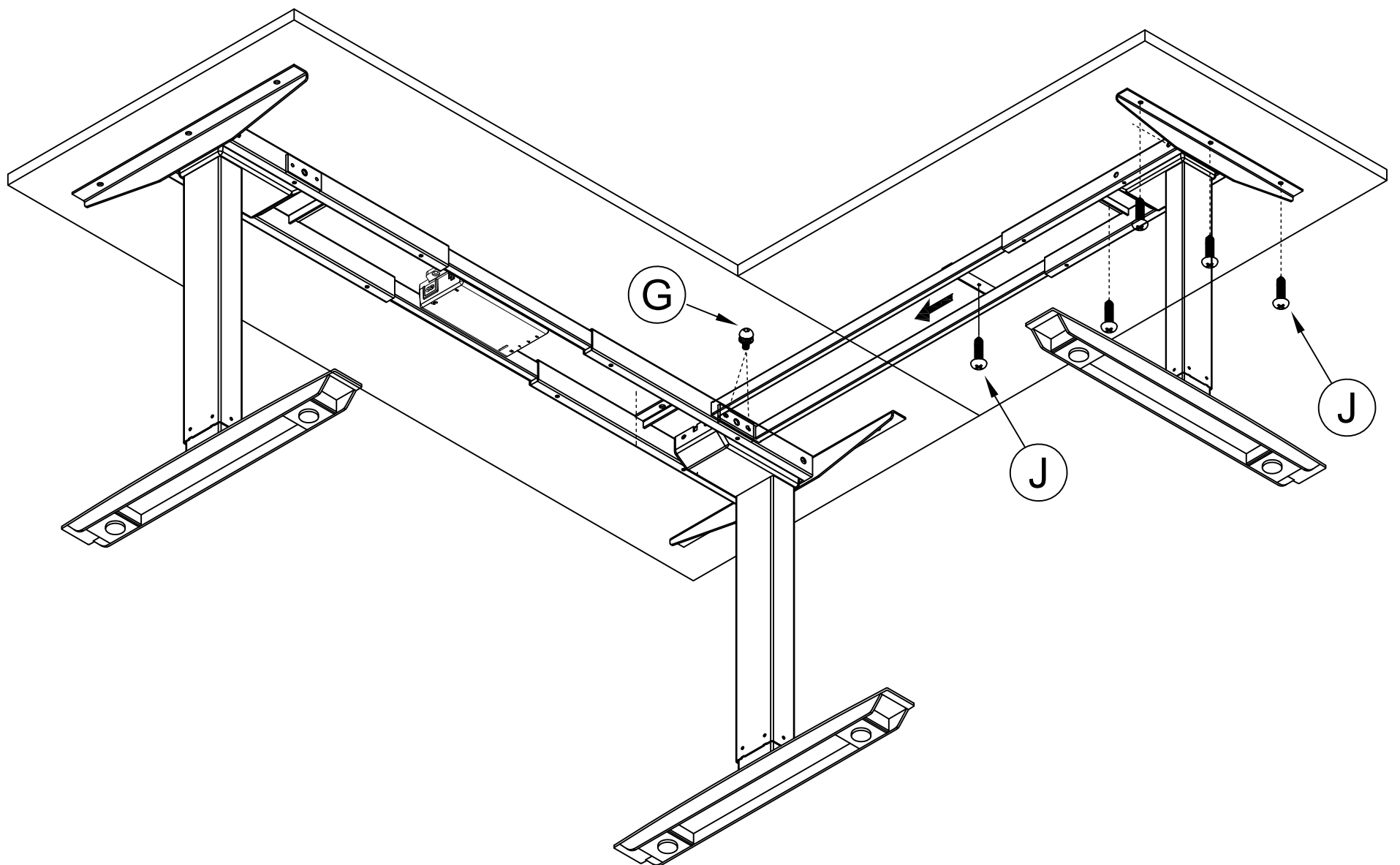


NOTE: Adjustable frame is designed to fit 60 x 72" , 48 x 66" and 72 x 72" tops. Extend the frame as needed to position desktop.

For 60 x 72" and 48 x 66" L-Desks, top support brackets should be approximately 3" from side edges of desktop and approximately 2" from front and back edges of desktop. Top support bracket of return frame will be approximately 1½" from rear edge and 3" from front edge of return top.

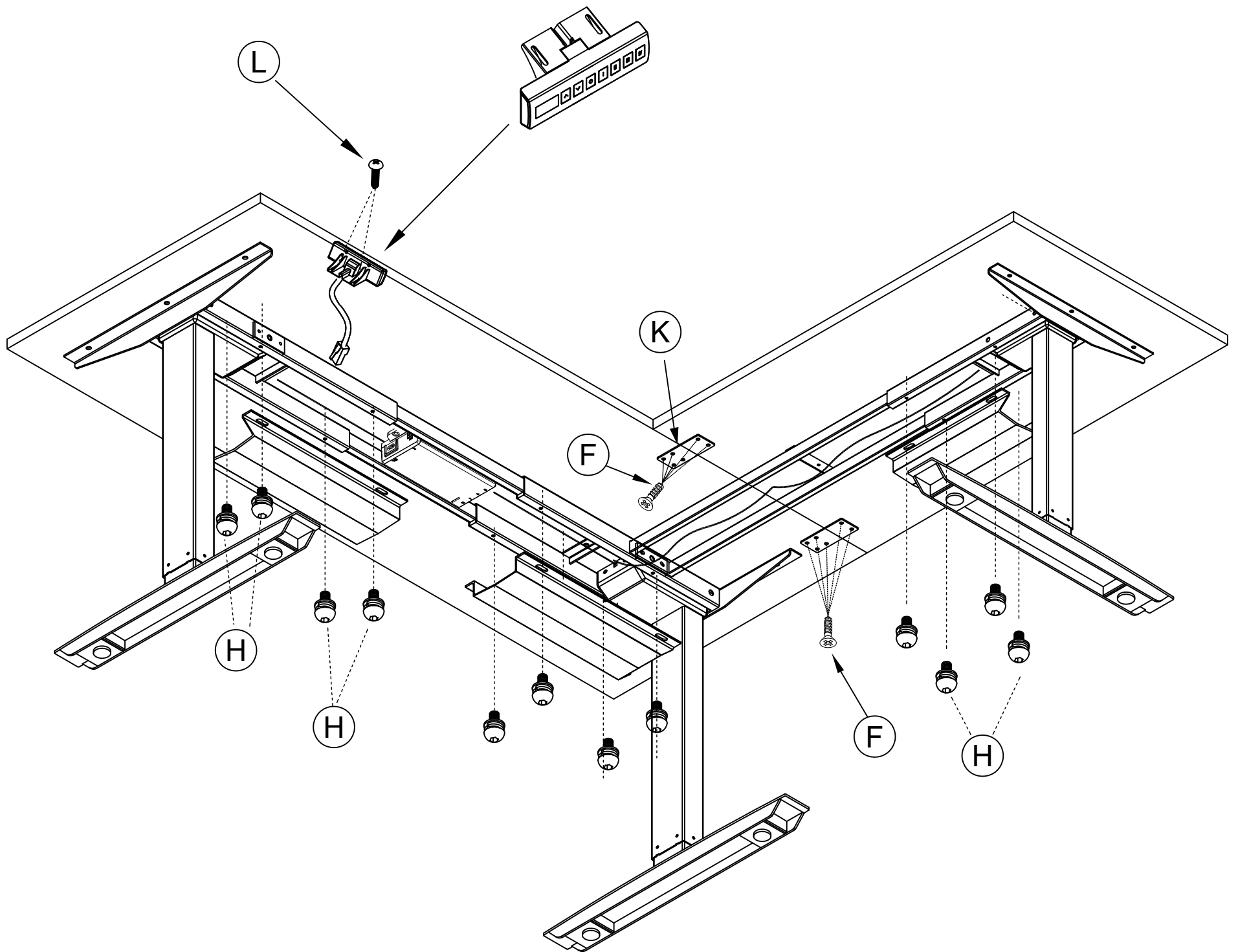
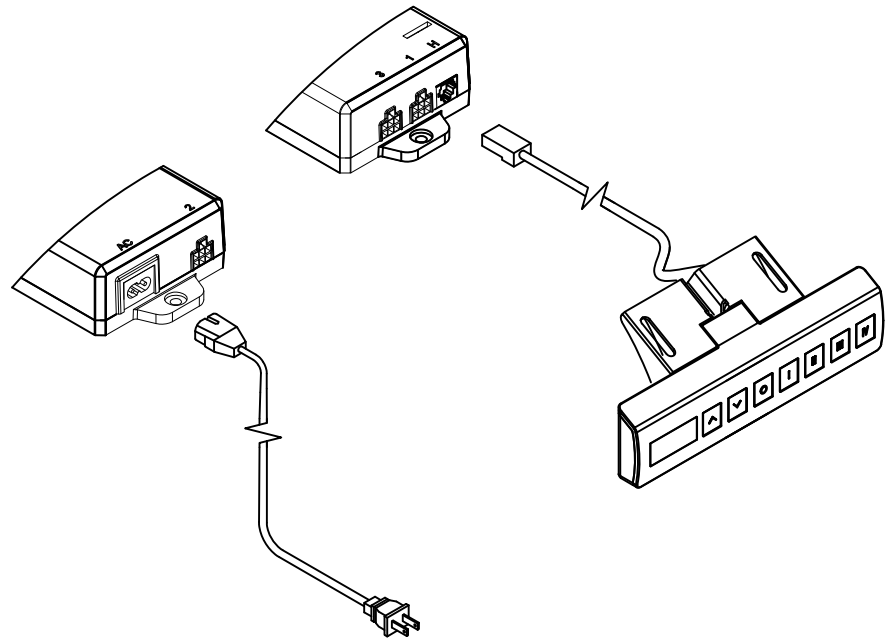
For 72 x 72" (24" deep) L-Desks, top support brackets should be approximately 6" from side edges of desktop and approximately 2" from front and back edges of desktop. Top support bracket of return frame will be approximately 1½" from rear edge and 3" from front edge of return top.

STEP 5





INSTRUCTIONS - Do not use power tools to assemble

STEP 6

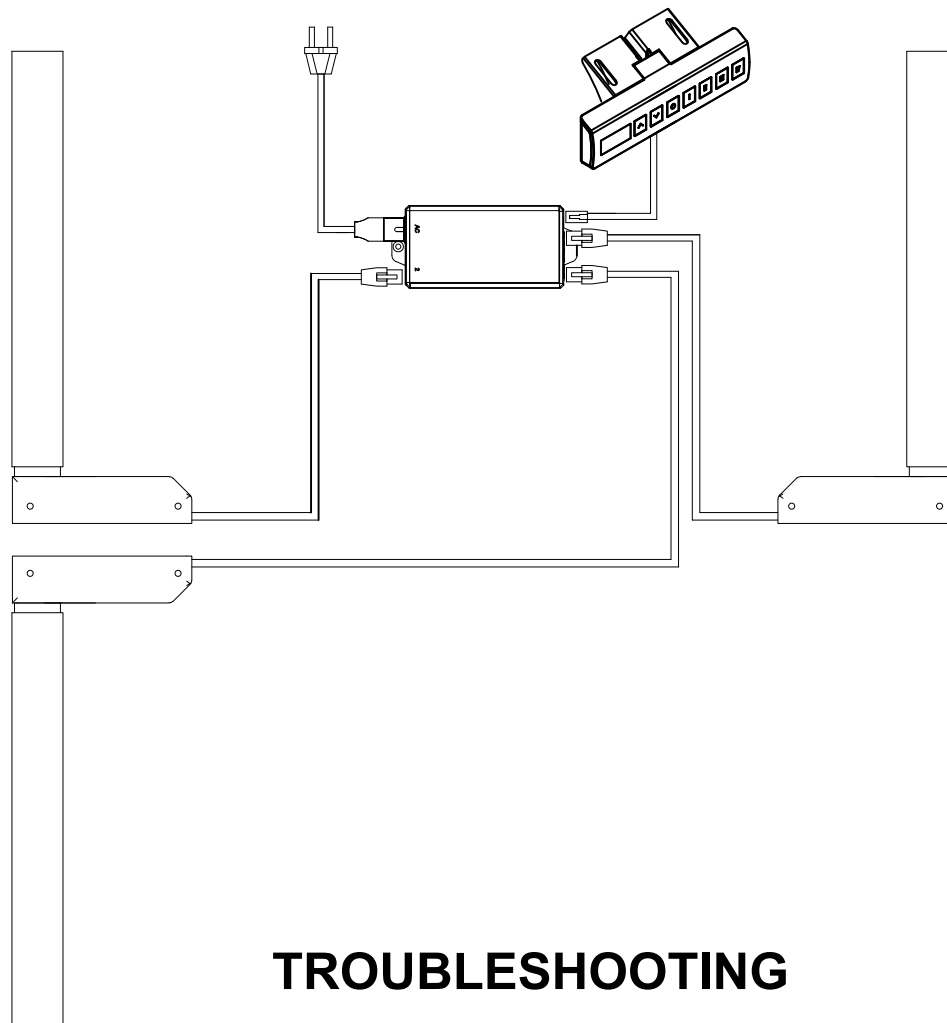


## INSTRUCTIONS

 Make sure no obstacles are in the desk's path.  Make sure the desktop is not touching any walls.  
Make sure all cords are appropriate length to accommodate the change in height.

**IMPORTANT:** You must INITIALIZE the desk prior to first use.

**Controller Initialization-** Press and hold the Down button on the controller until the desk reaches its lowest height, slightly raises, and stops. Release the down button, your desk is now ready for use. (Follow the "USER MANUALS" to use your desk)



## TROUBLESHOOTING

If the table is not functioning properly it may need to be reset.

Unplug the power cord for 20 seconds.

Plug the power cord back in and follow the RESET procedures.

If the error message persists after the reset procedure, please contact your dealer.

If the height between the legs exceeds 1.5 inches, stop the reset procedure, please contact your dealer.