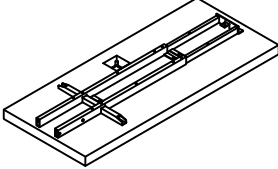

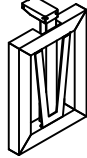

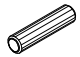





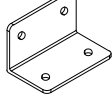


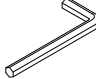
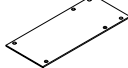
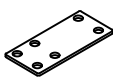






COMPONENTS

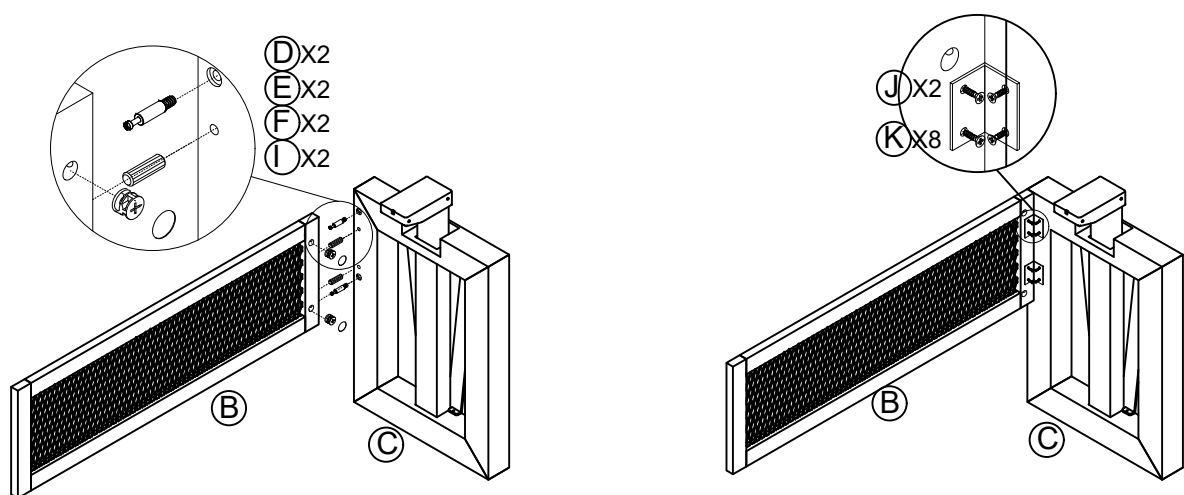
<p><b>IRT4820HA</b></p> <p>(A) Top Panel-1pc</p>  <p>(B) Modesty Panel-1pc</p> 	<p><b>IRBHAB</b></p> <p>(C) Base Leg-1pc</p> 
---	--

HARDWARE & TOOLS

(D) Cam Post-3pcs 	(E) Wood Dowel Ø8*30mm-2pcs 	(F) Cam Lock-3pcs 	(G) Screw M6X15mm-10pcs 	(H) Screw Ø6X33mm-5pcs 	Tools Required for Assembly 
(I) Cam Sticker-3pcs 	(J) Mntg Bracket 50*30*2mm-4pcs 	(K) Screw Ø4X16mm-29pcs 	(L) Allen Wrench 4mm-1pc 	(M) Allen Wrench 5mm-1pc 	Philips Screw Driver for (D) Cam Post (F) Cam Lock (K) Screw Ø4X16mm (R) Screw Ø5x20mm (S) Screw Ø5x45mm
(N) Wire Management Tray-2pc 	(P) Mntg Bracket 120*50*3mm-2pcs 	(R) Screw Ø5x20mm-3pcs 	(S) Screw Ø5x45mm-4pcs 	<b>NOTE:</b> Hardware is packed with carton <b>IRT4820HA</b>	

INSTRUCTIONS - We don't recommend using power tools when installing Cam Posts.

**STEP 1 - Install Right Side**



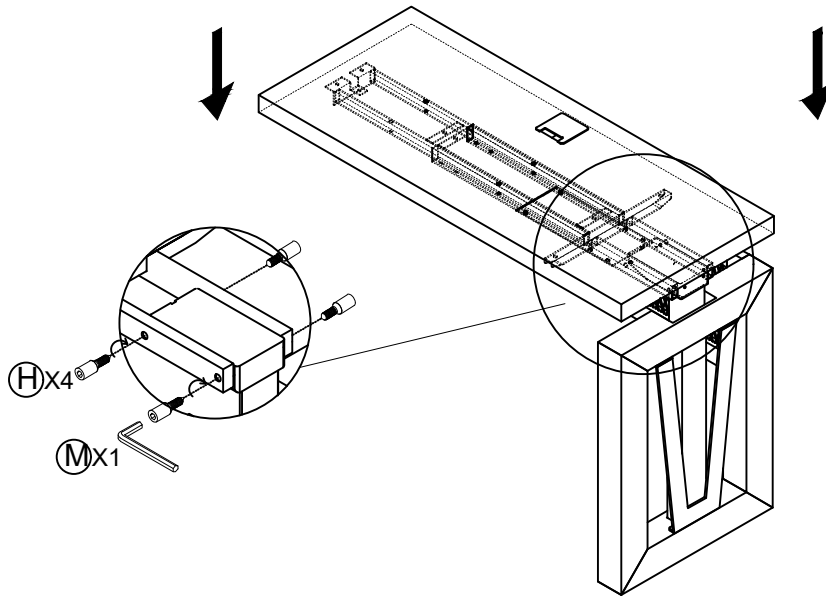
(D) X2  
(E) X2  
(F) X2  
(I) X2

(J) X2  
(K) X8

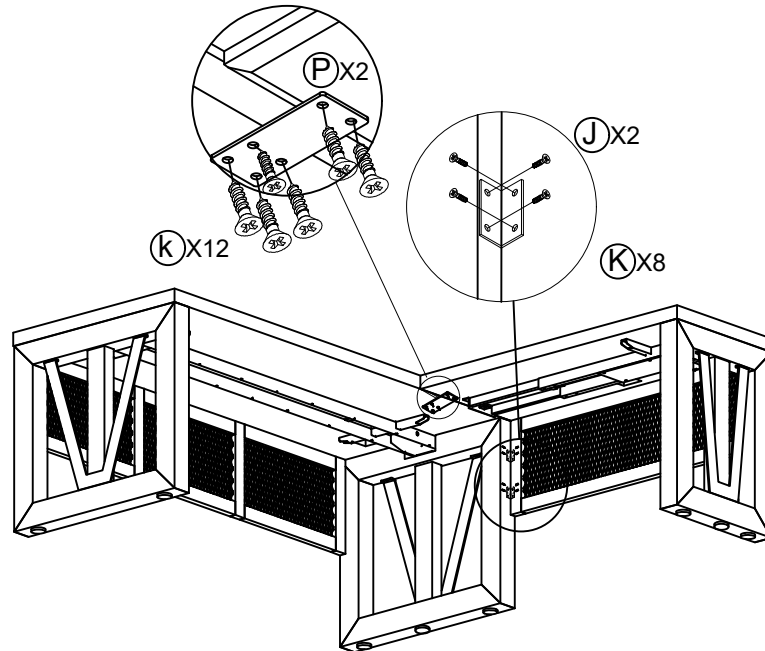


INSTRUCTIONS - We don't recommend using power tools when installing Cam Posts.

STEP 2



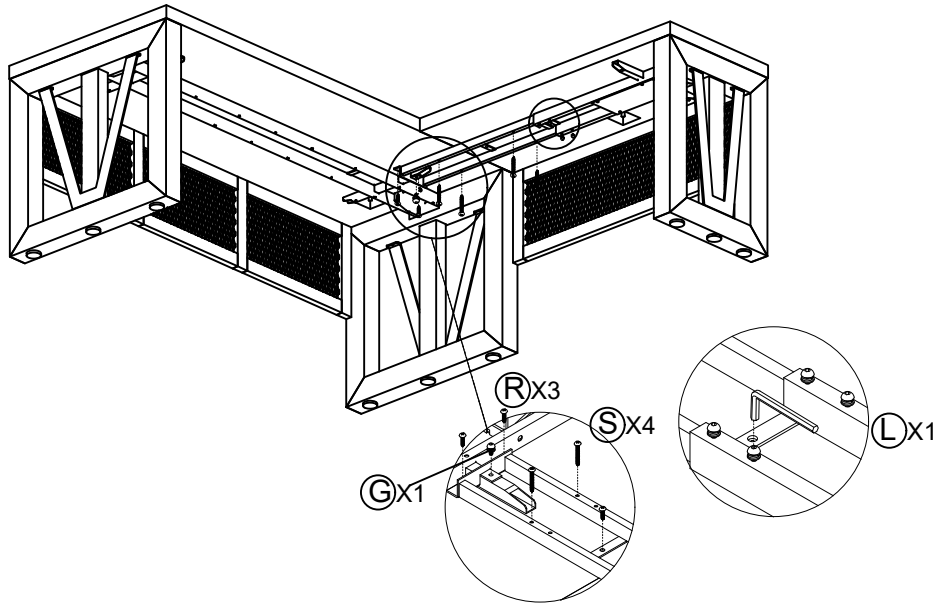
STEP 3



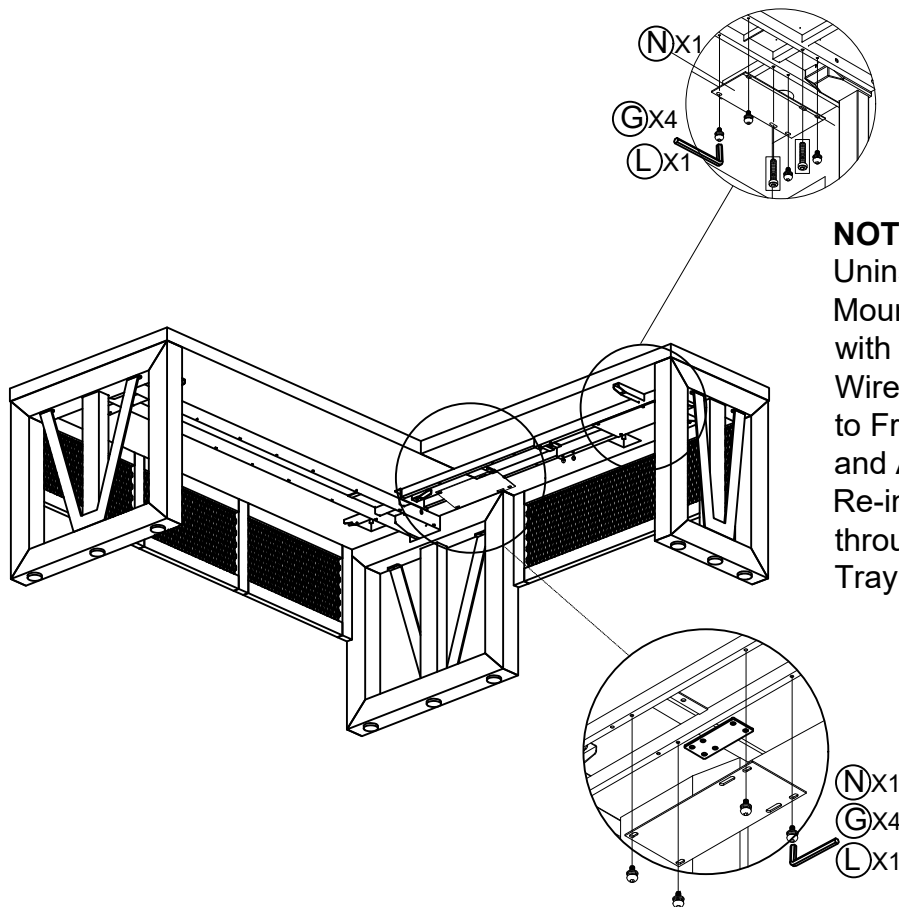


INSTRUCTIONS - We don't recommend using power tools when installing Cam Posts.

STEP 4



STEP 5

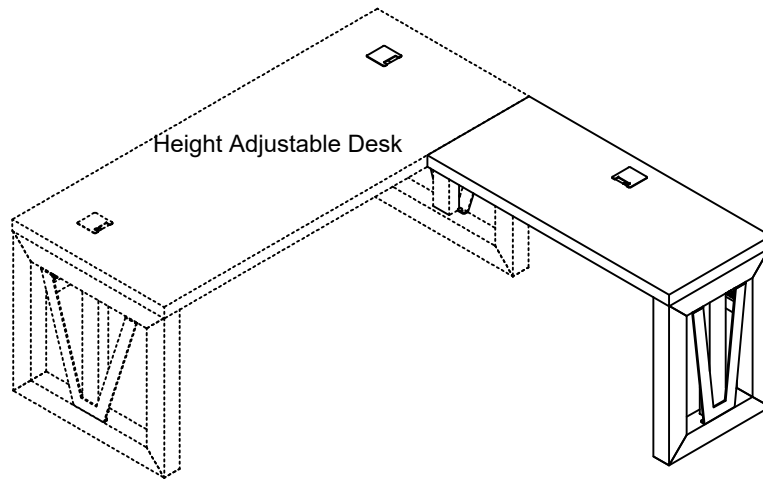


**NOTE:**  
Uninstall the Frame Mounting Screws, Qty 2, with Allen Wrench (L). Install Wire Management Tray (N) to Frame using Screws (G) and Allen Wrench (L). Re-install Frame Screws through Wire Management Tray.



INSTRUCTIONS - We don't recommend using power tools when installing Cam Posts.

COMPLETED

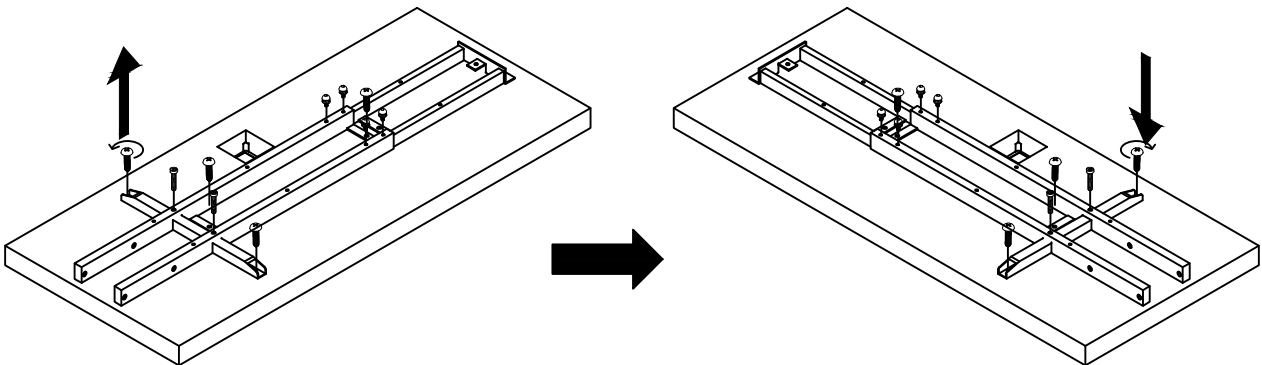




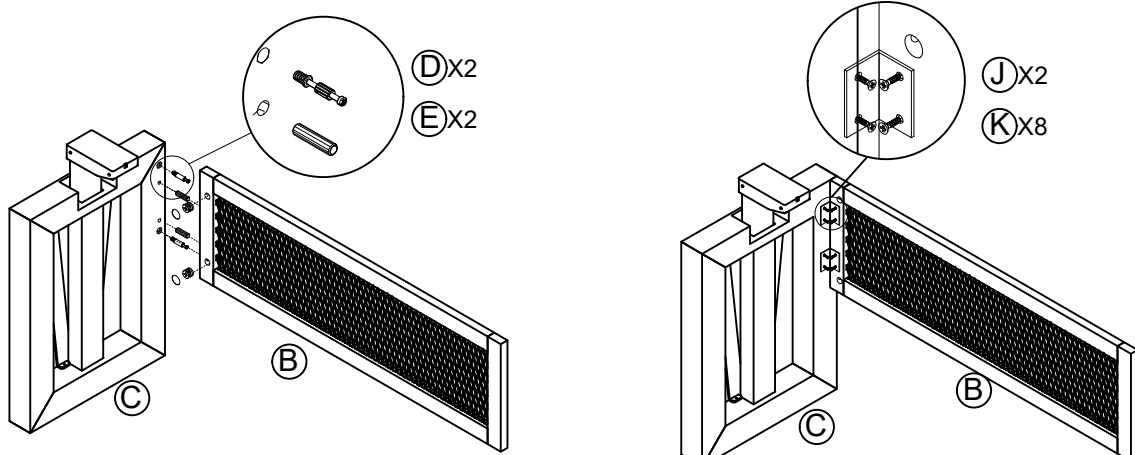
### INSTRUCTIONS

Uninstall the Philips Screws and Allen Screws of the mounting frame, total Qty 4, with Allen Wrench (L) and tools, then turn around 180° and using screws install the mounting frame to other pre-drilled holes underside the height adjustable return top.

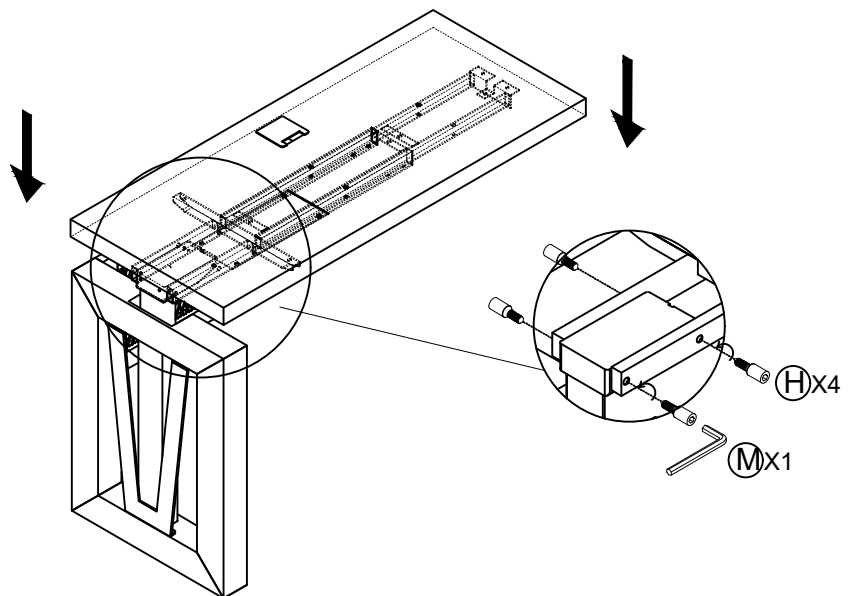
#### STEP 1 - Install Left Side



#### STEP 2

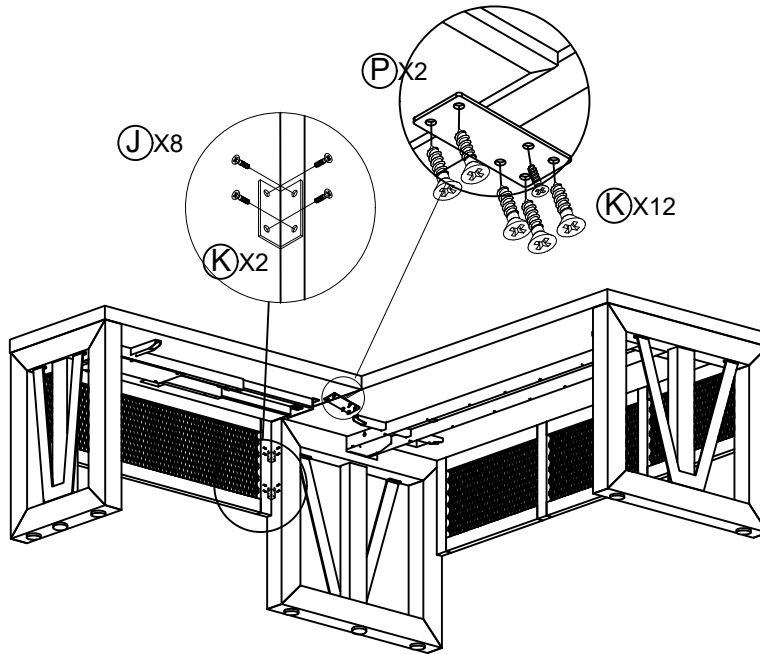


#### STEP 3

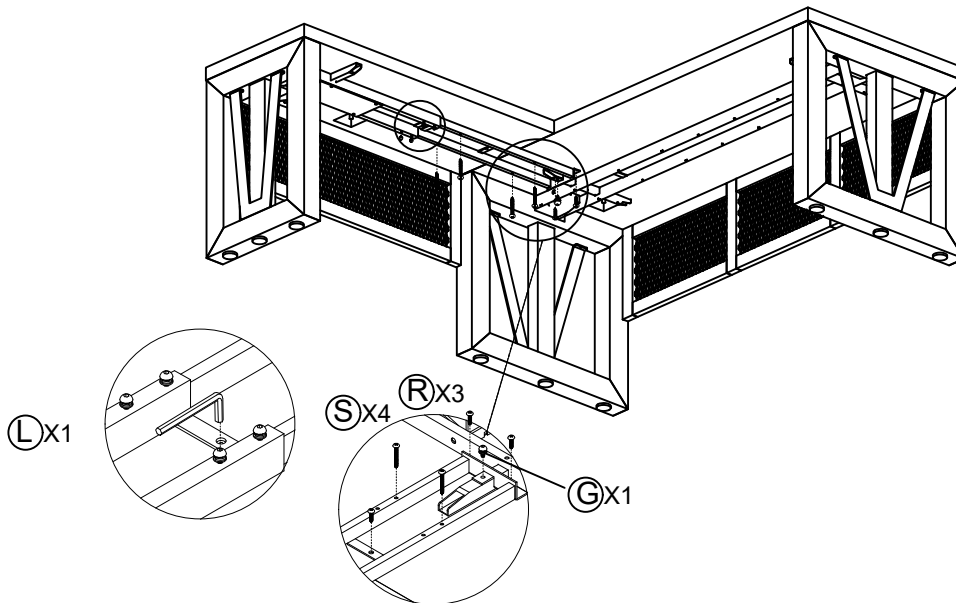




STEP 4

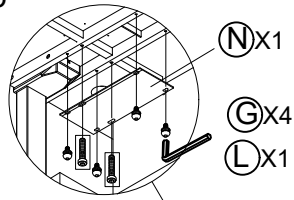


STEP 5



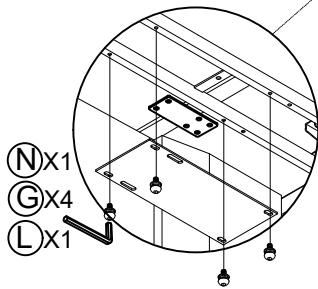
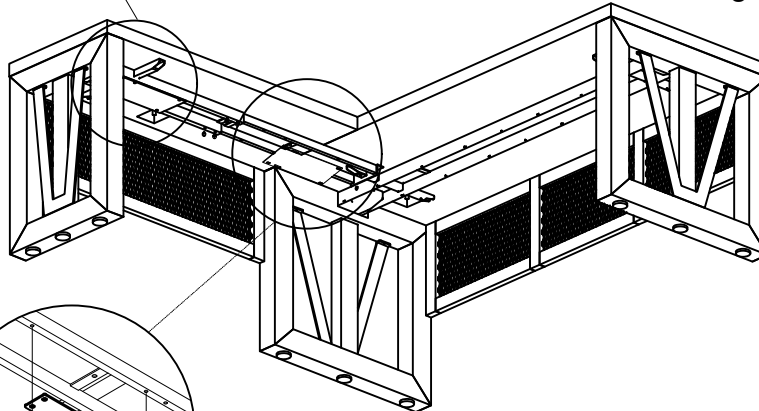


STEP 6

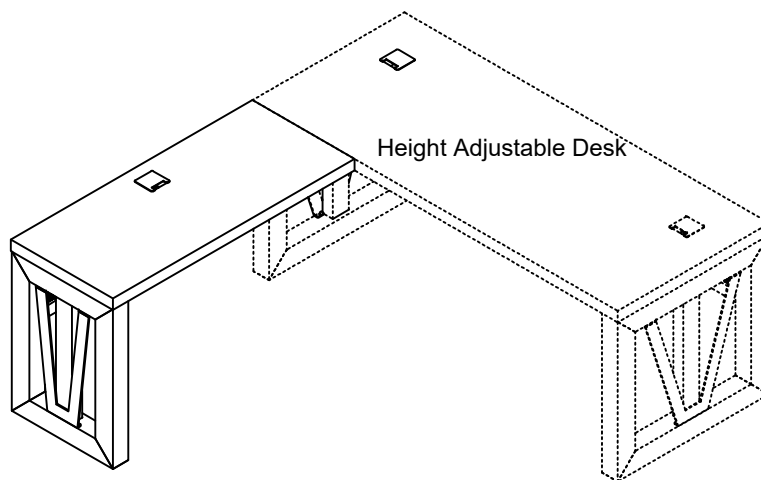


**NOTE:**

Uninstall the Frame Mounting Screws, Qty 2, with Allen Wrench (L). Install Wire Management Tray (N) to Frame using Screws (G) and Allen Wrench (L). Re-install Frame Screws through Wire Management Tray.



COMPLETED





## INSTRUCTIONS



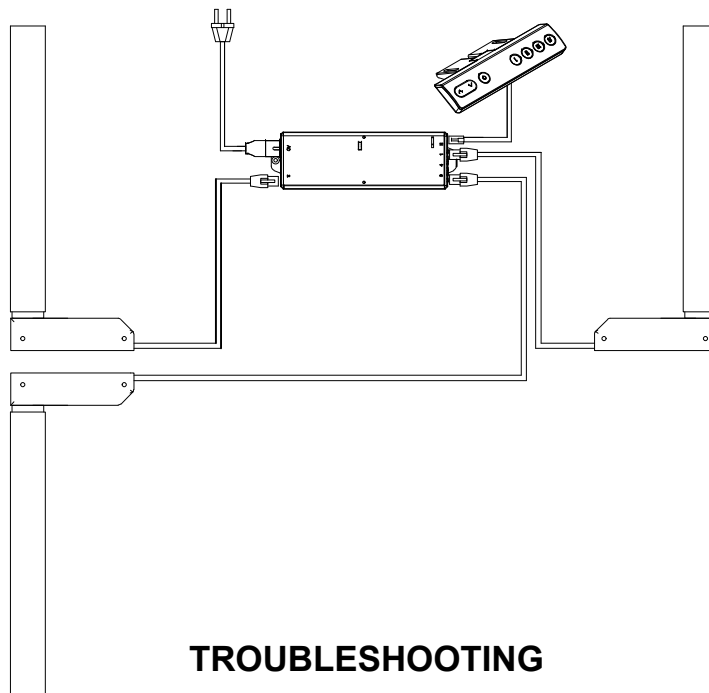
Make sure no obstacles are in the desk's path.  
Make sure the desktop is not touching any walls.



Make sure all cords are appropriate length to accommodate  
the change in height.

**IMPORTANT:** You must INITIALIZE the desk prior to first use.

Controller Initialization- Press and hold the Down button on the controller until the desk reaches its lowest height, slightly raises, and stops. Release the down button, your desk is now ready for use. (Following the "USER MANUALS" to use your desk)



## TROUBLESHOOTING

If the table is not functioning properly it may need to be reset.

Unplug the power cord for 20 seconds.

Plug the power cord back in and follow the RESET procedures.

If the error message persists after the reset procedure, please contact your dealer.

If the height between the legs exceeds 1.5 inches, stop the reset procedure, please contact your dealer.