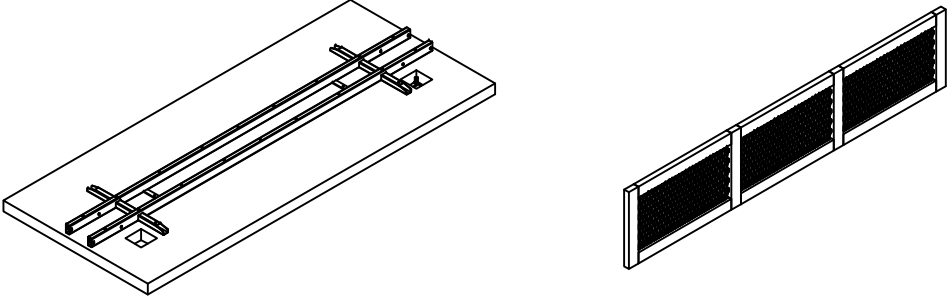
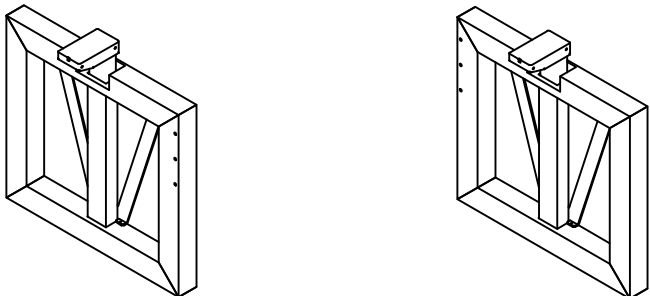
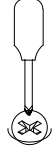


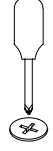
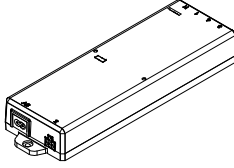
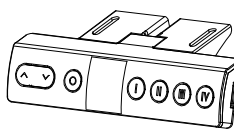
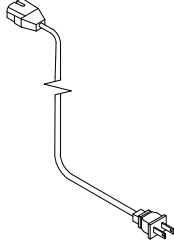
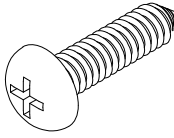
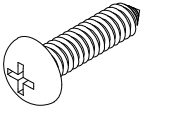
COMPONENTS

<p>IDT7230HA / IDT6030HA</p> <p>(A) Top Panel-1pc (B) Modesty Panel-1pc</p> 		<p>IDBHAB</p> <p>(C) Left Base Leg-1pc (D) Right Base Leg-1pc</p> 	
---	--	---	--

HARDWARE & TOOLS

(E) Cam Post-5pcs	(F) Wood Dowel Ø8*30mm-3pcs	(G) Cam Lock-5pcs	(H) Screw M6X15mm-5pcs	<p>Tools Required for Assembly</p>  <p>Philips Screw Driver for</p> <p>(E) Cam Post (G) Cam Lock</p> <p>(L) Allen Screw M4X20mm</p> <p>NOTE: Hardware is packed with carton IDT7230HA</p>
(I) Screw Ø6X33mm-8pcs	(J) Cam Sticker-5pcs	(K) Mntg Bracket 50*30*2mm-2pcs	(L) Screw Ø4X20mm-9pcs	
(M) Allen Wrench 4mm-1pc	(N) Allen Wrench 5mm-1pc	(P) Wire Management Tray-2pc		

HARDWARE & TOOLS

(R) Control Box -1pc	(S) Controller-1pc	(T) Power cord -1pc	(U) Screw Ø5X20mm-3pcs	(V) Screw Ø4X14mm-3pcs	<p>Tools Required for Assembly</p>  <p>Philips Screw Driver for</p> <p>(U) Screw Ø5X20mm</p> <p>(V) Screw Ø4X14mm</p>
					

NOTE:
Hardware is packed with carton **ALCB2 / ALCB3**.

INSTRUCTIONS - We don't recommend using power tools when installing Cam Posts

STEP 1

(E)X4
(G)X4
(J)X4
(F)X2

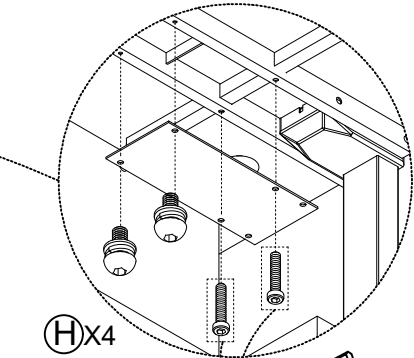
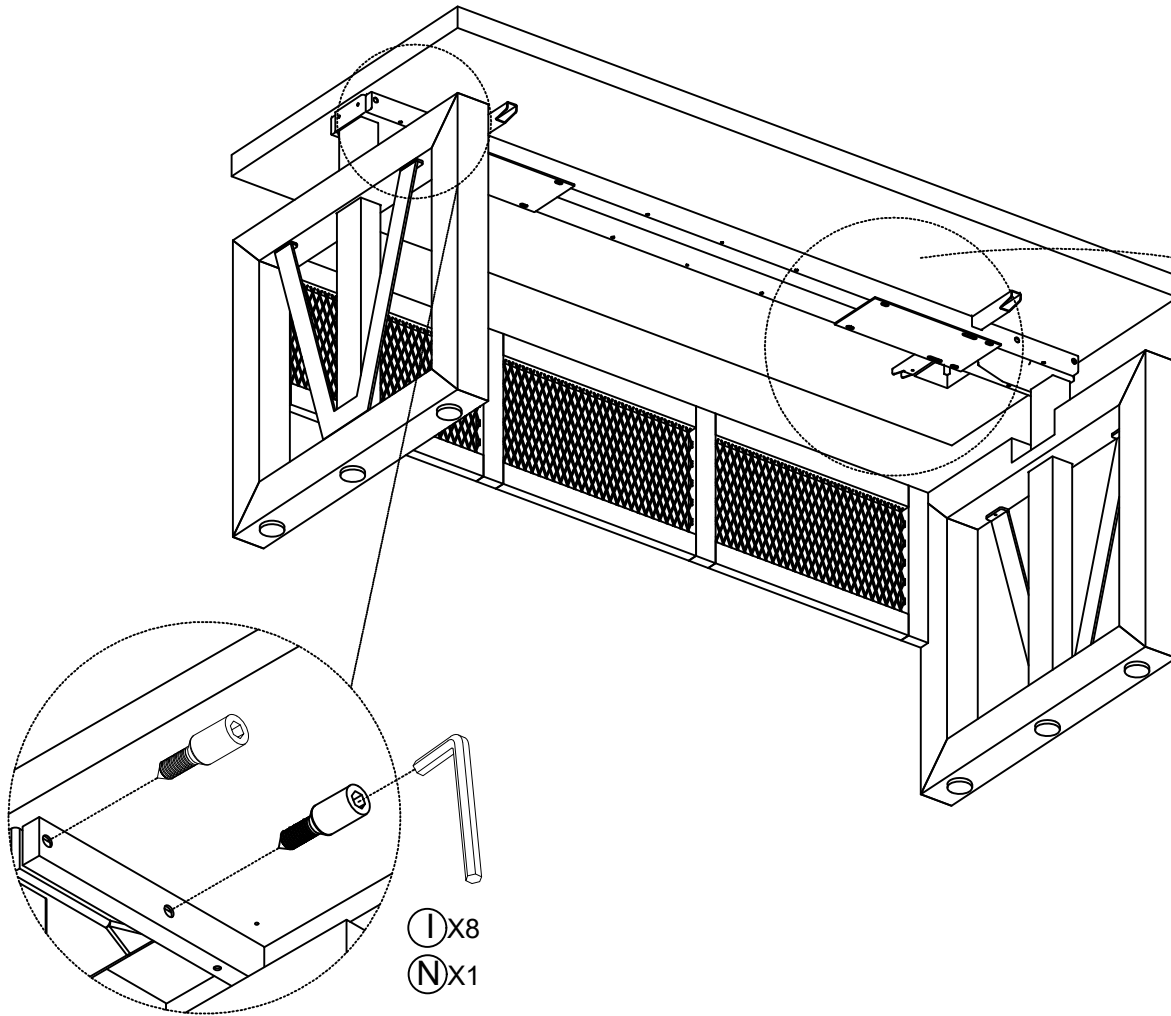
(K)X2
(L)X8



INSTRUCTIONS - Do not use power tools to assemble

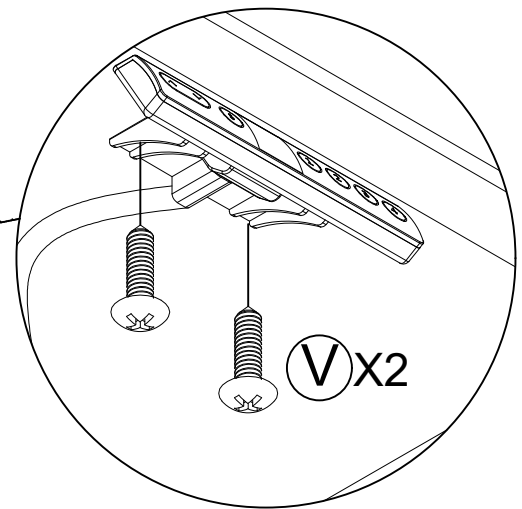
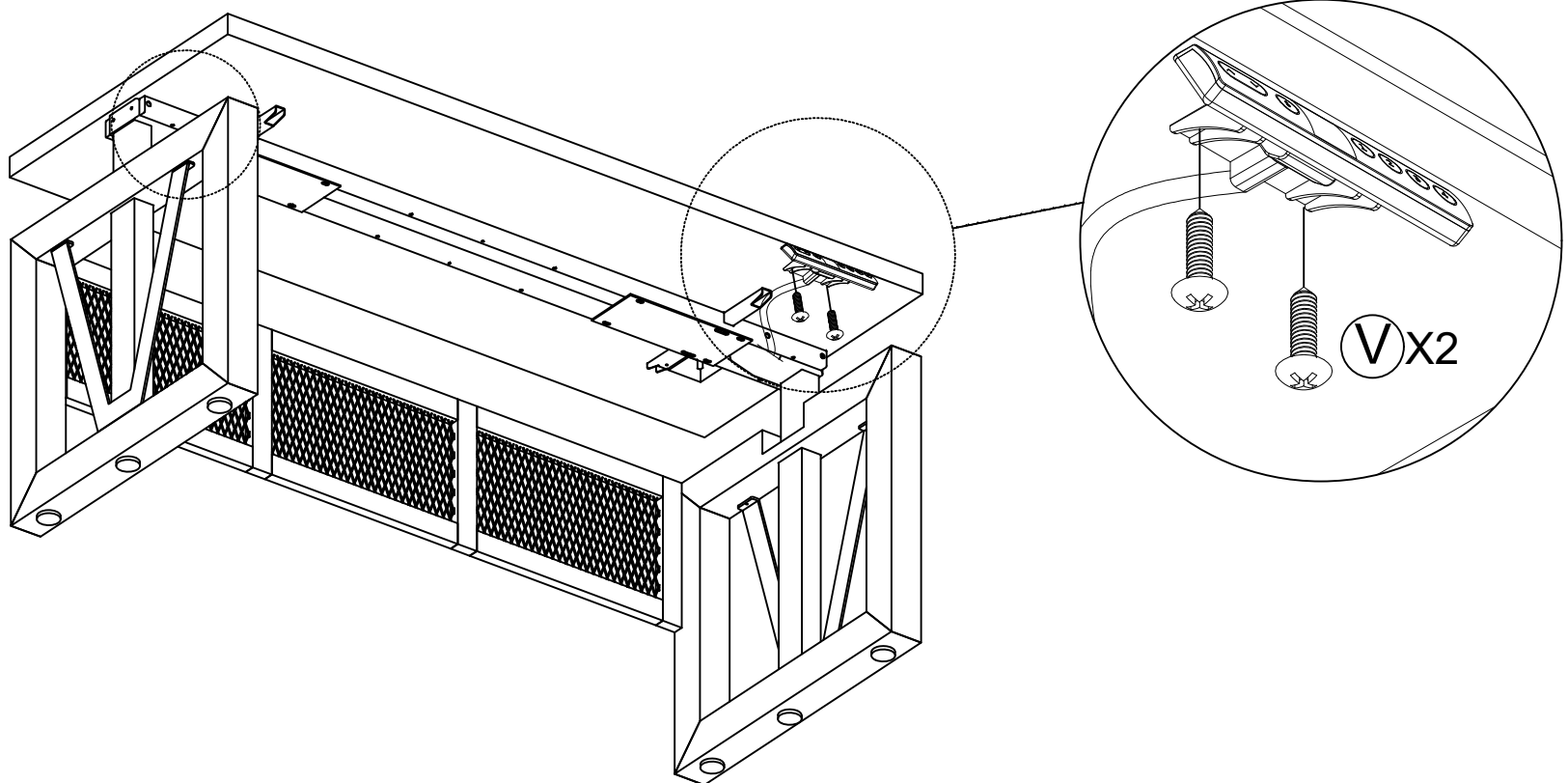
STEP 2

Install the Top (A) to the Legs(C,D) by Screw (I);



Ⓜ X4
 Ⓟ X2
 Uninstall the Frame Mounting Screws, Qty 2, with Wrench (N).
 Install Wire Management Tray (P) to Frame using Screws (H) and Wrench (M).
 Re-install Frame Screws thru Wire Management Tray.

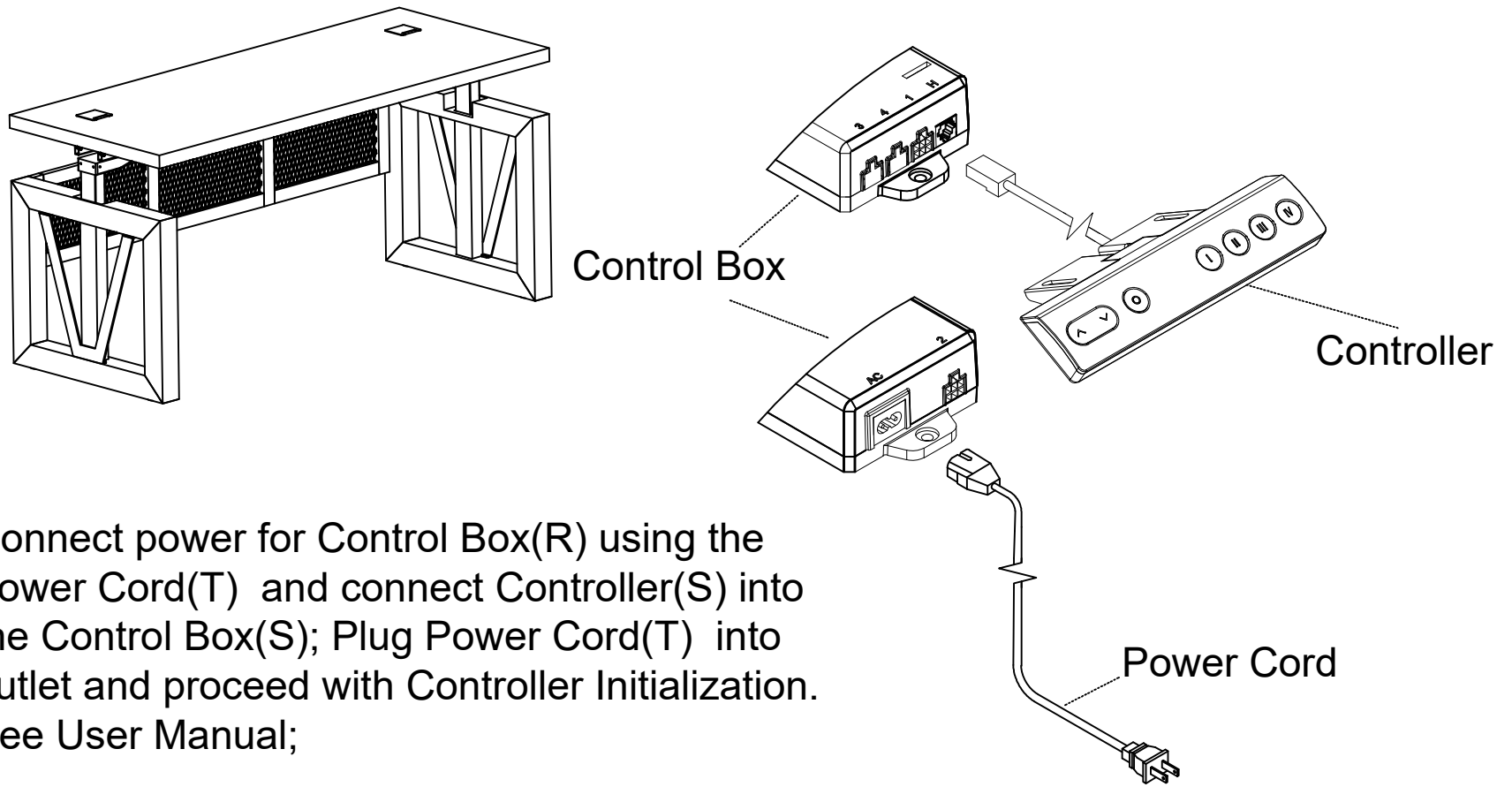
STEP 3





INSTRUCTIONS - Do not use power tools to assemble

STEP 4



Connect power for Control Box(R) using the Power Cord(T) and connect Controller(S) into the Control Box(S); Plug Power Cord(T) into outlet and proceed with Controller Initialization. See User Manual;

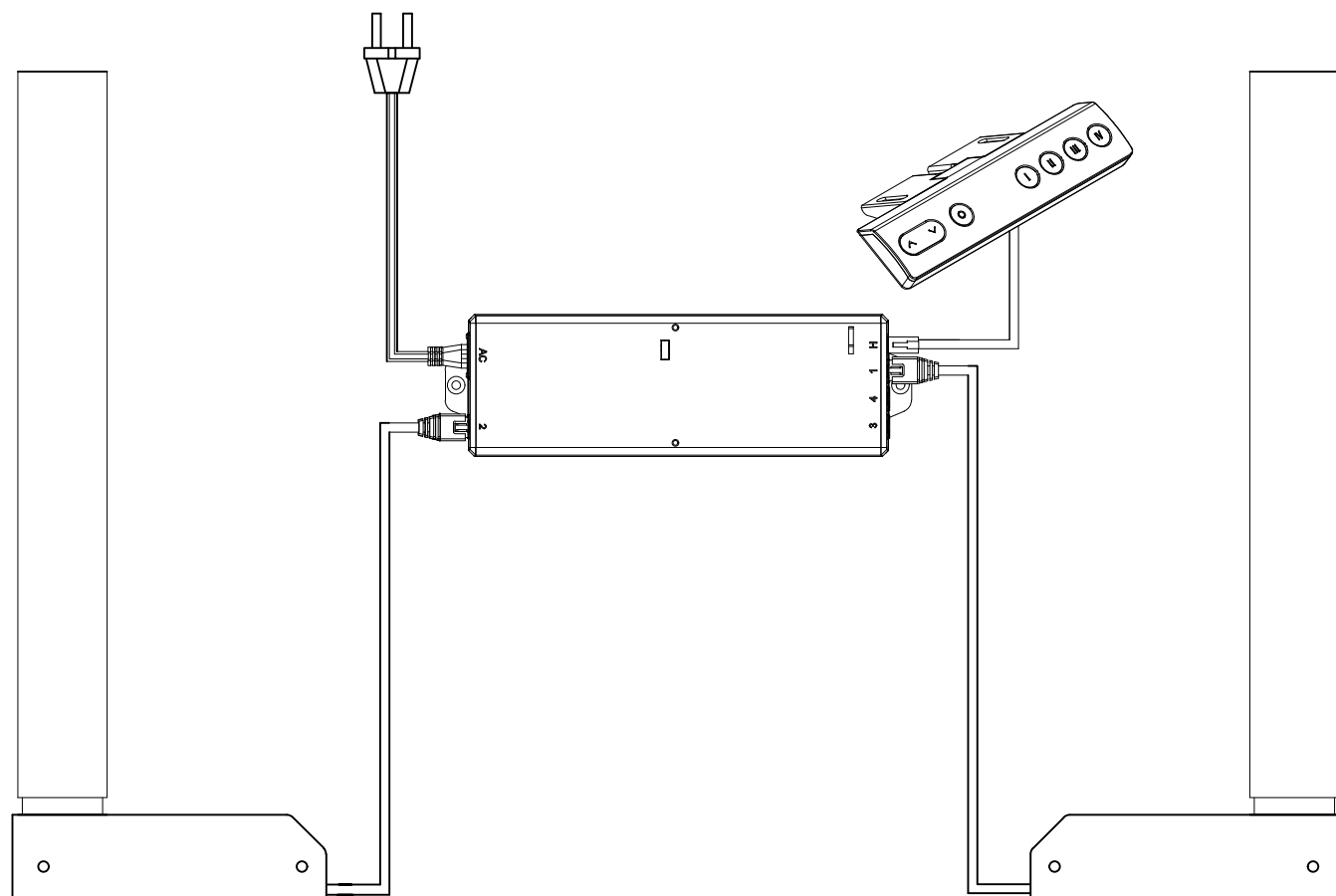


INSTRUCTIONS

- ⚠ Make sure no obstacles are in the desk's path.
- ⚠ Make sure the desktop is not touching any walls.
- Make sure all cords are appropriate length to accommodate the change in height.

IMPORTANT: You must INITIALIZE the desk prior to first use.

Controller Initialization- Press and hold the Down button on the controller until the desk reaches its lowest height, slightly raises, and stops. Release the down button, your desk is now ready for use. (Following the "USER MANUALS" to use your desk)



TROUBLESHOOTING

If the table is not functioning properly it may need to be reset.

Unplug the power cord for 20 seconds.

Plug the power cord back in and follow the RESET procedures.

If the error message persists after the reset procedure, please contact your dealer.

If the height between the legs exceeds 1.5 inches, stop the reset procedure, please contact your dealer.