



COMPONENTS

ICD7220
 (A) Top Panel-1pc (B) Modesty Panel-1pc

ICD6020
 (A) Top Panel-1pc (B) Modesty Panel-1pc

ICDB
 (C) Left Base Leg-1pc (D) Right Base Leg-1pc

HARDWARE & TOOLS

(E) Cam Post-7pcs 	(F) Cam Lock-7pcs 	(G) Allen Wrench 4mm 1pc 	(H) Allen Screw M6X60mm-8pcs 	Tools Required for Assembly Phillips Screw Driver for (E) Cam Post (F) Cam Lock (I) Screw M4X20mm NOTE: Hardware is packed with carton ICD7220/ICD6020
(I) Screw Ø4X20mm-37pcs 	(J) Cam Sticker-7pcs 	(K) Mntg Bracket 50*30*2mm-3pcs 	(L) Mntg Bracket 40*20*2mm-6pcs 	

INSTRUCTIONS - We don't recommend using power tools when installing Cam Posts.

ICD7220

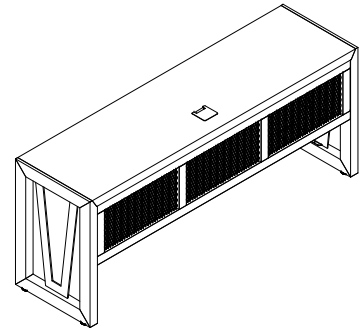
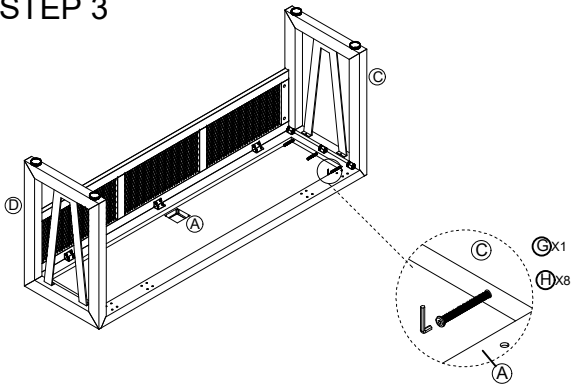
STEP 1

STEP 2



INSTRUCTIONS - We don't recommend using power tools when installing Cam Posts.

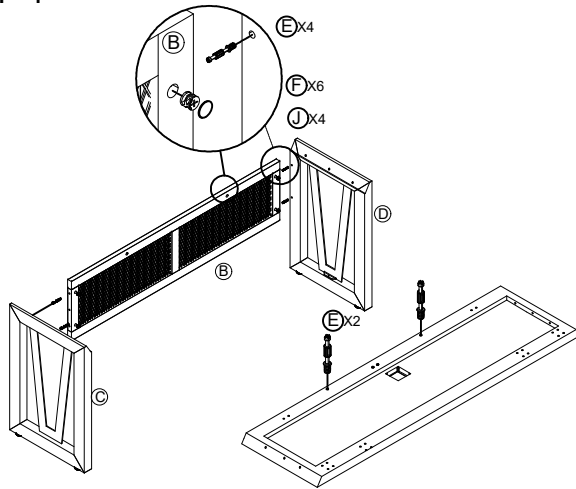
STEP 3



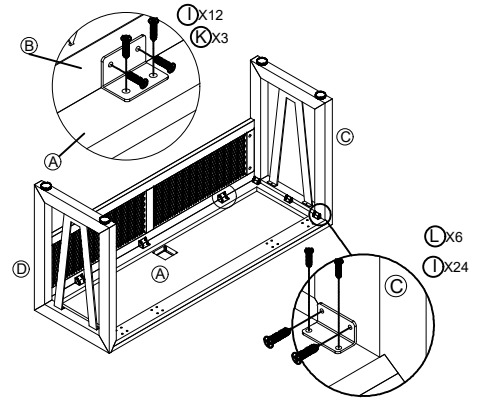
COMPLETED

ICD6020

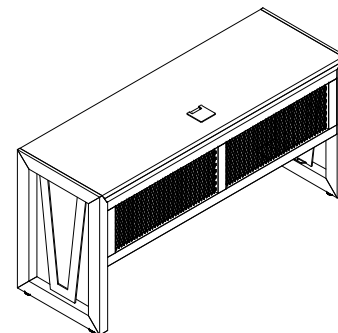
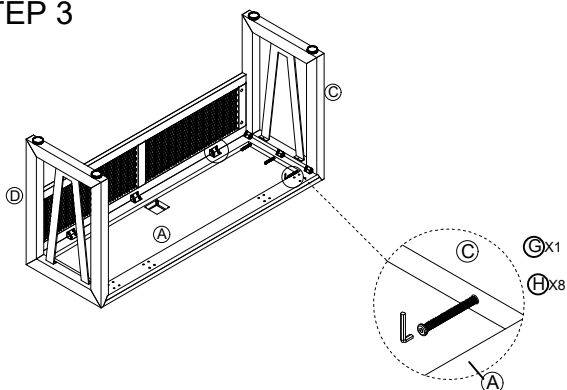
STEP 1



STEP 2



STEP 3



COMPLETED