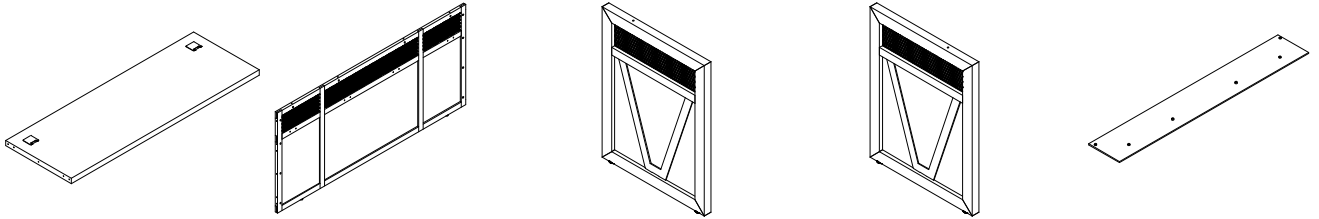




COMPONENTS

- (A) Top Panel-1pc
- (B) Modesty Panel-1pc
- (C) Left Base Leg-1pc
- (D) Right Base Leg-1pc
- (K) Glass Counter Top -1pc



HARDWARE & TOOLS

- (E) Cam Post-25pcs
- (F) Wood Dowel Ø8\*30mm-13pcs
- (G) Cam Lock-25pcs
- (H) Stand-off Ø20x50mm-6pcs
- (I) Cam Stickers -11pcs
- (J) Black Cam Stickers -15pcs

Tools Required for Assembly

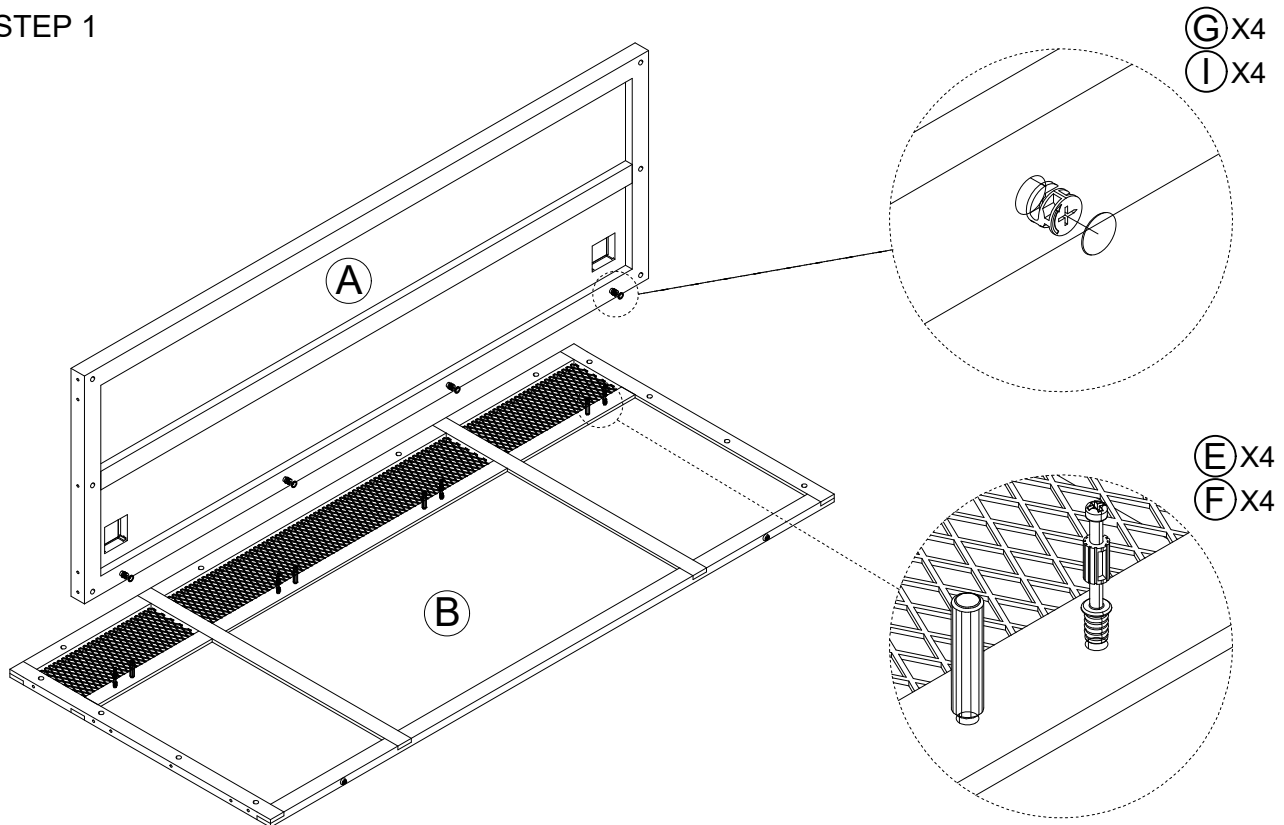


Philips Screw Driver for  
(E) Cam Post (G) Cam Lock

**NOTE:**  
Hardware is packed with carton IRDT.

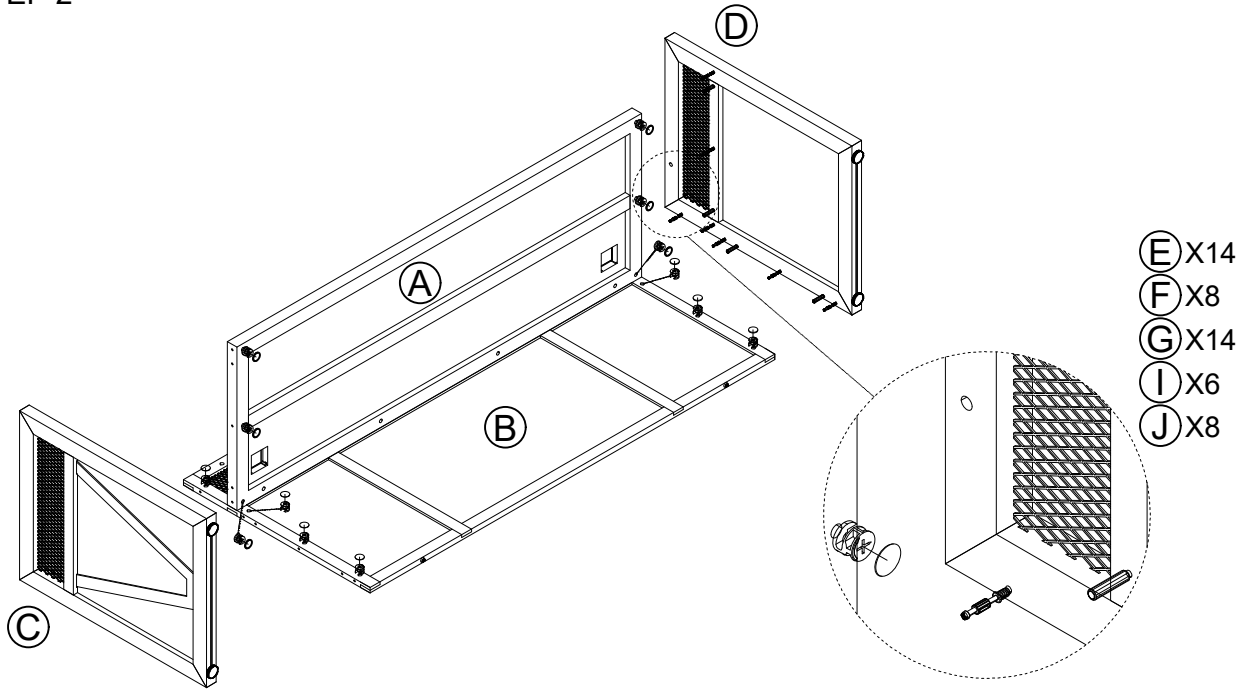
INSTRUCTIONS - We don't recommend using power tools when installing Cam Posts.

STEP 1

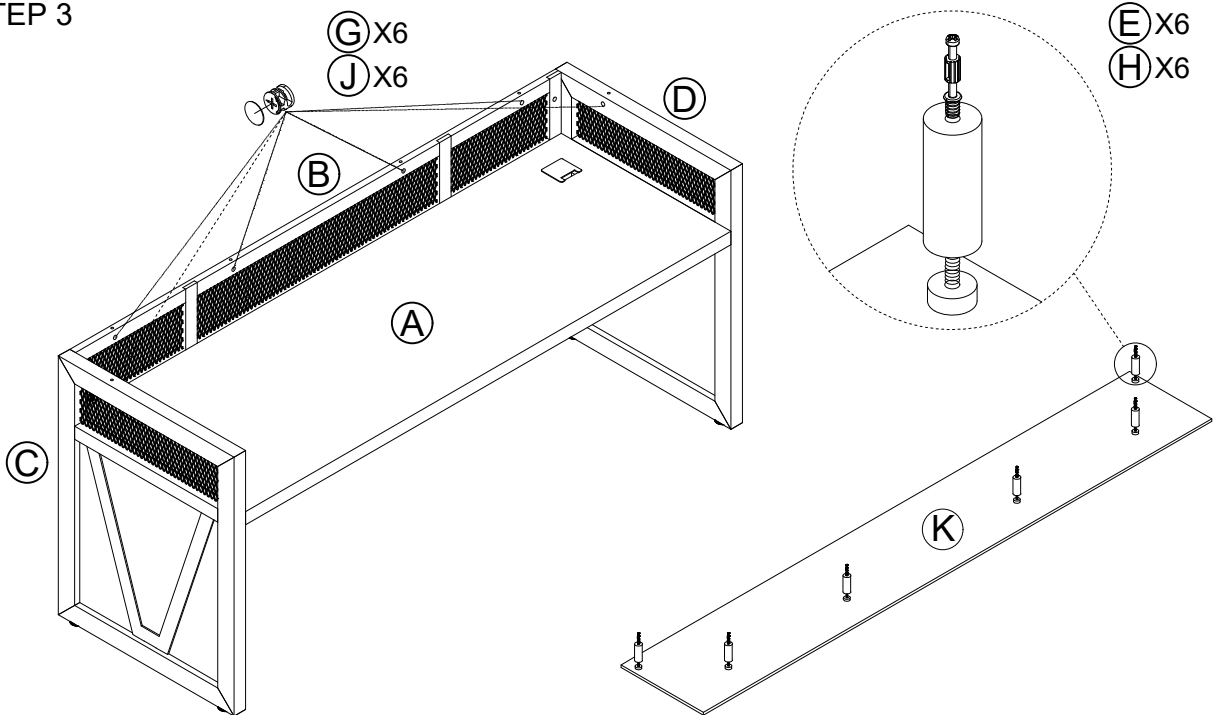


INSTRUCTIONS - We don't recommend using power tools when installing Cam Posts.

**STEP 2**



**STEP 3**



INSTRUCTIONS - We don't recommend using power tools when installing Cam Posts.

COMPLETED

