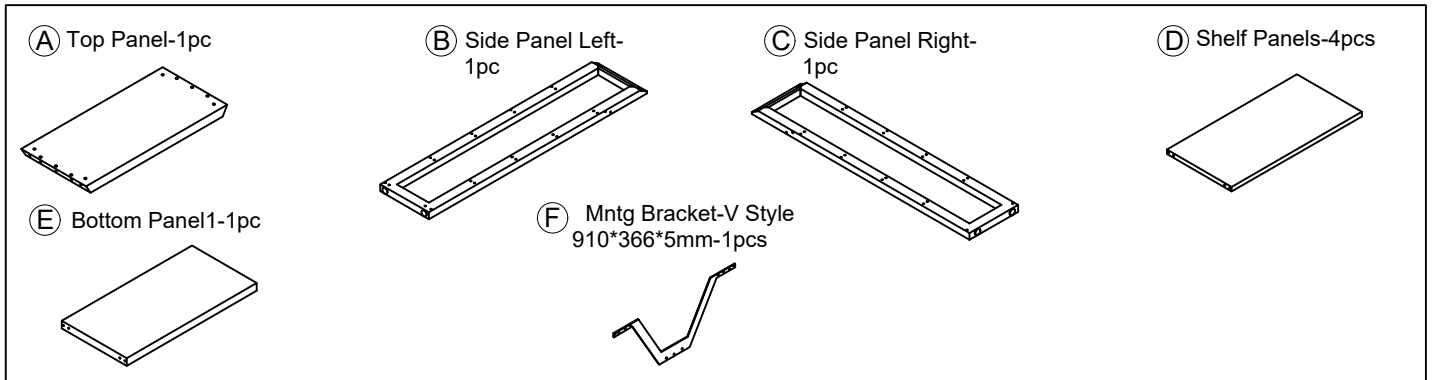
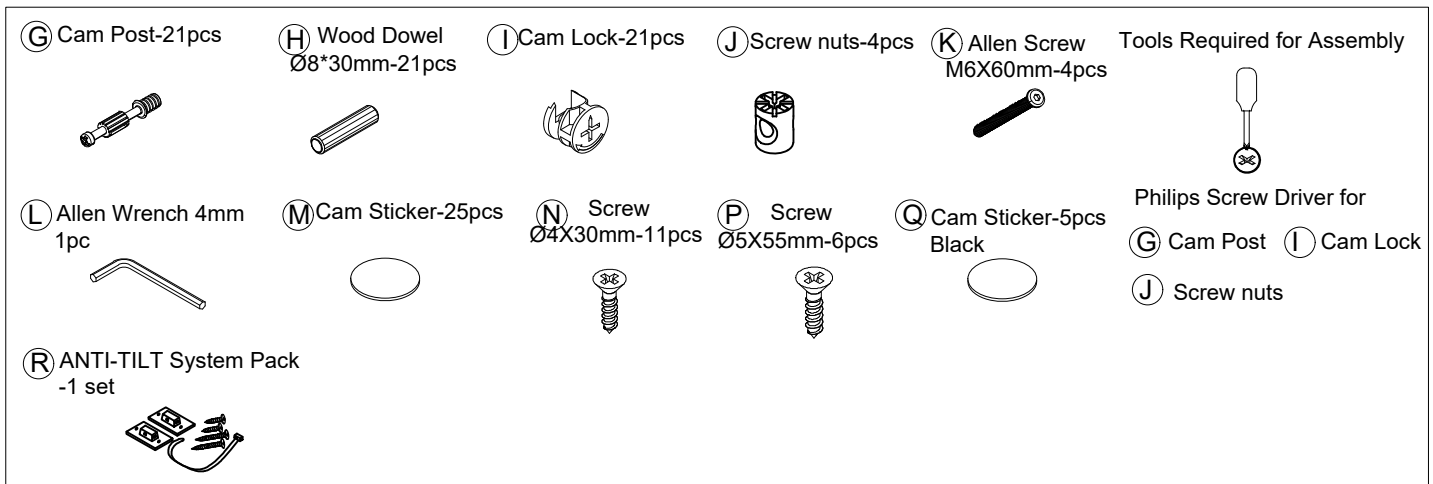




COMPONENTS

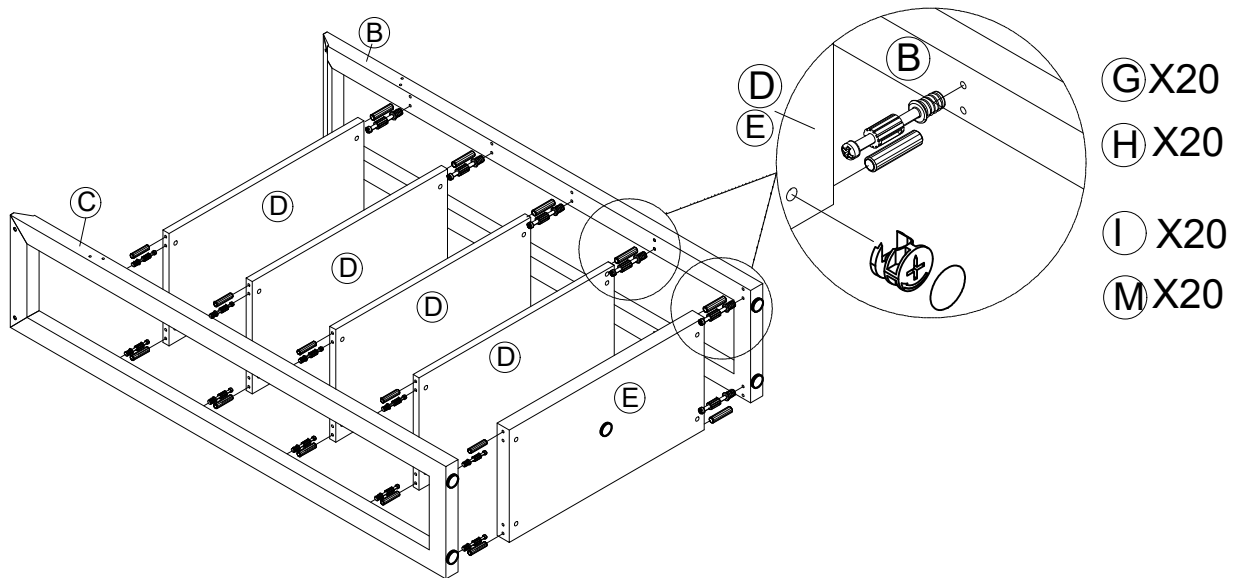


HARDWARE & TOOLS



INSTRUCTIONS - We don't recommend using power tools when installing Cam Posts.

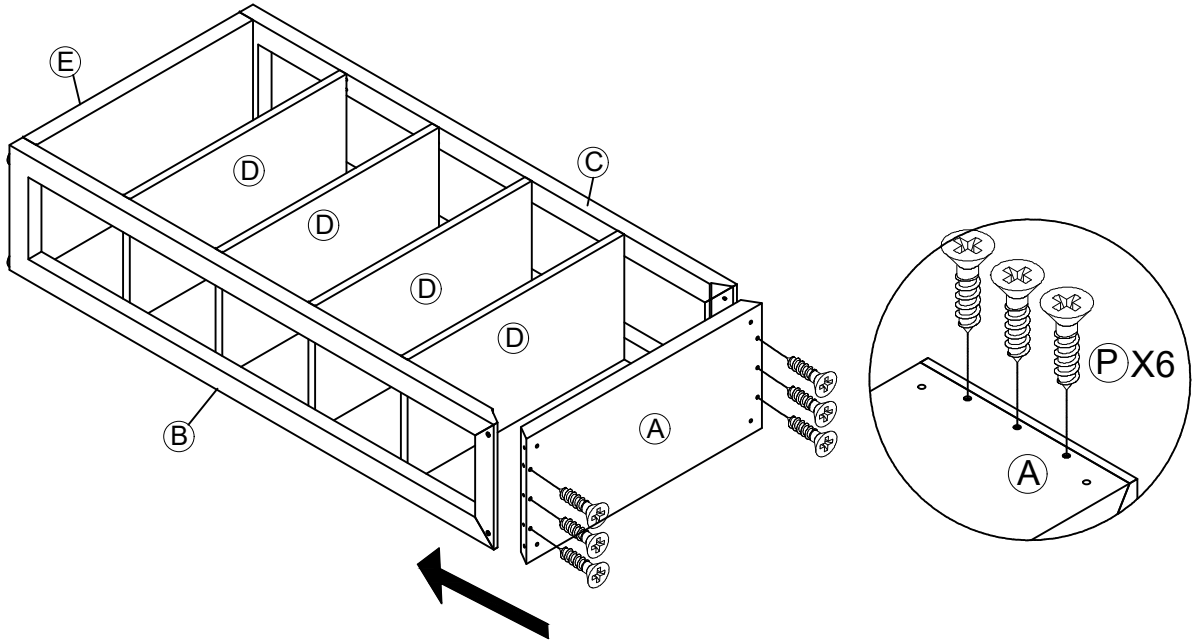
STEP 1



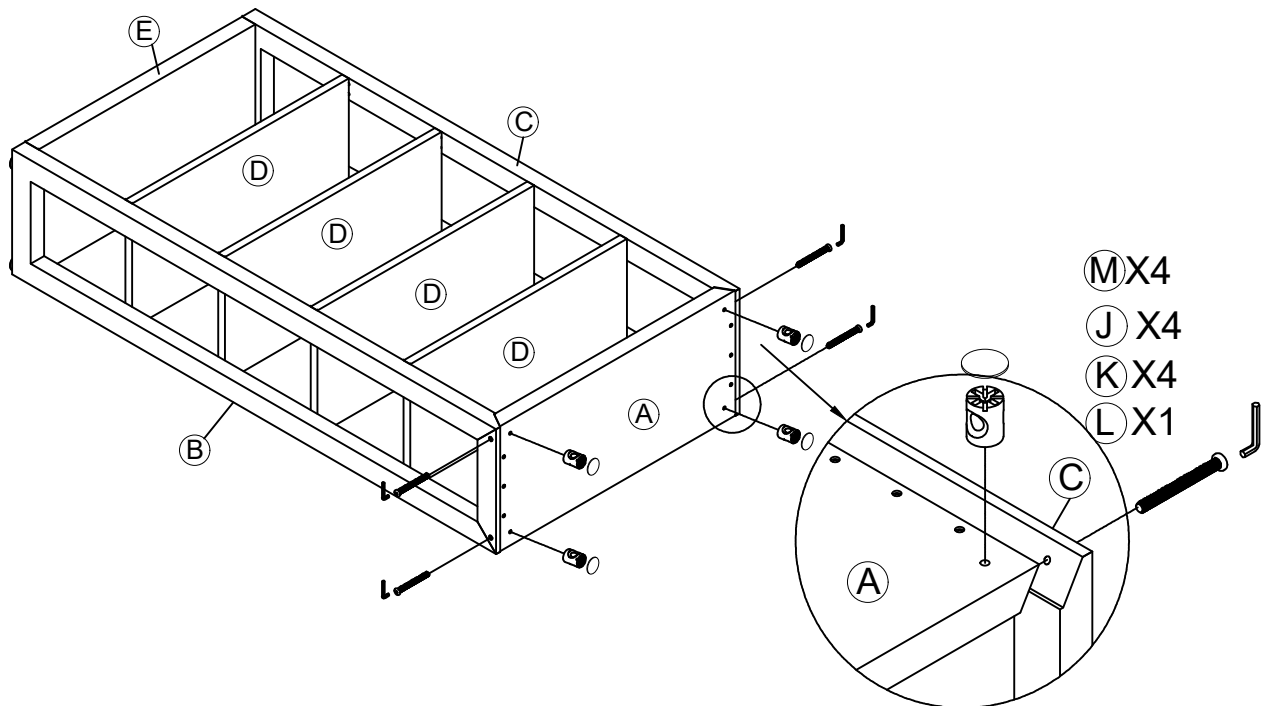


INSTRUCTIONS

STEP 2



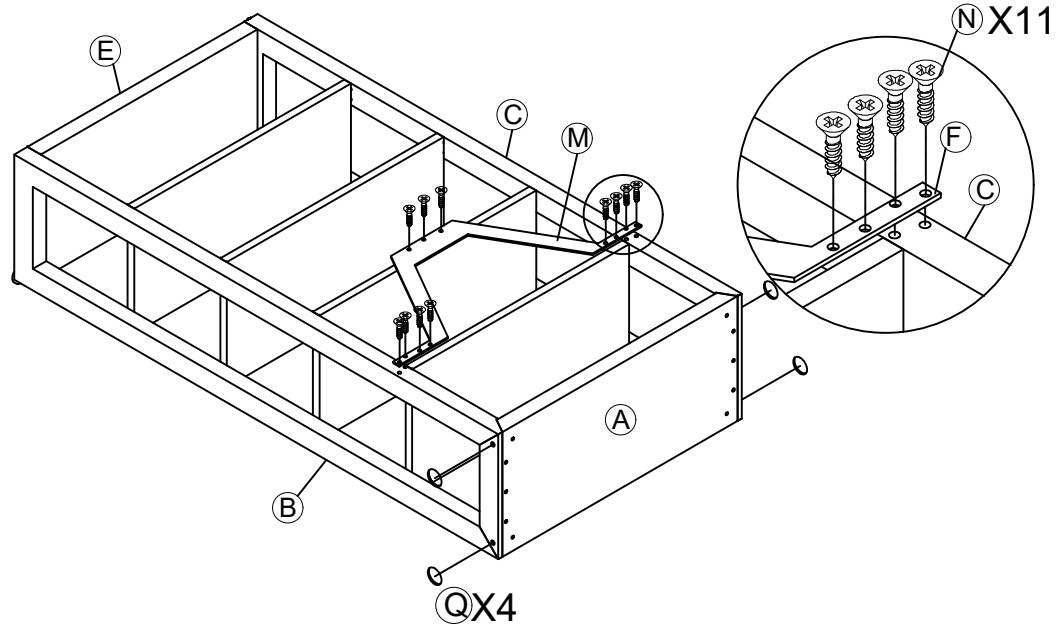
STEP 3



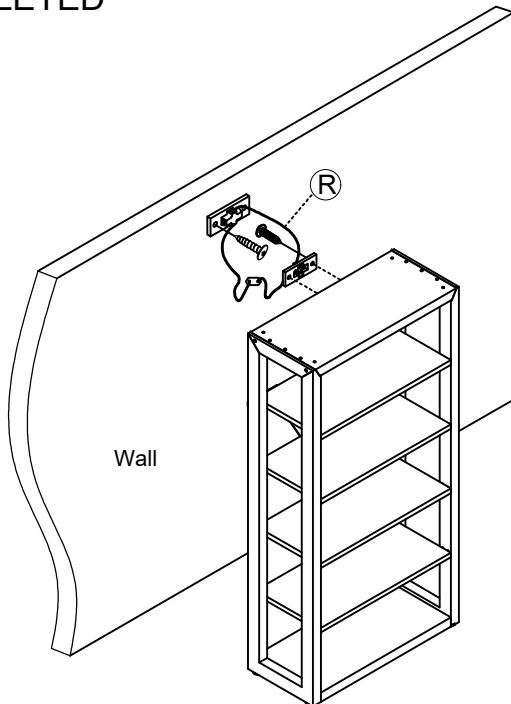


INSTRUCTIONS

STEP 4



COMPLETED



Due to the various wall construction methods, It is up to a professional installer to secure ANTI-TILT SYSTEM to the wall with the proper fasteners and/or anchors as required by the wall construction at the desired mounting location.