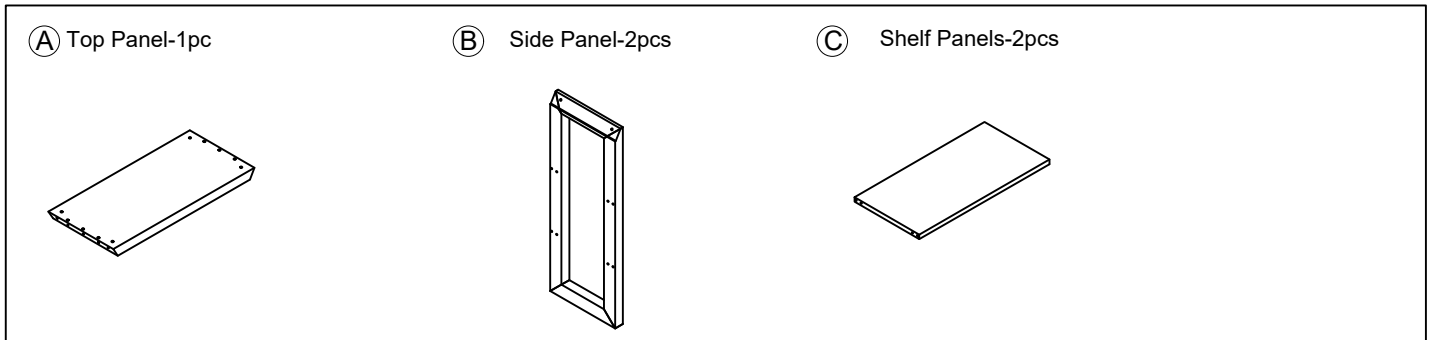
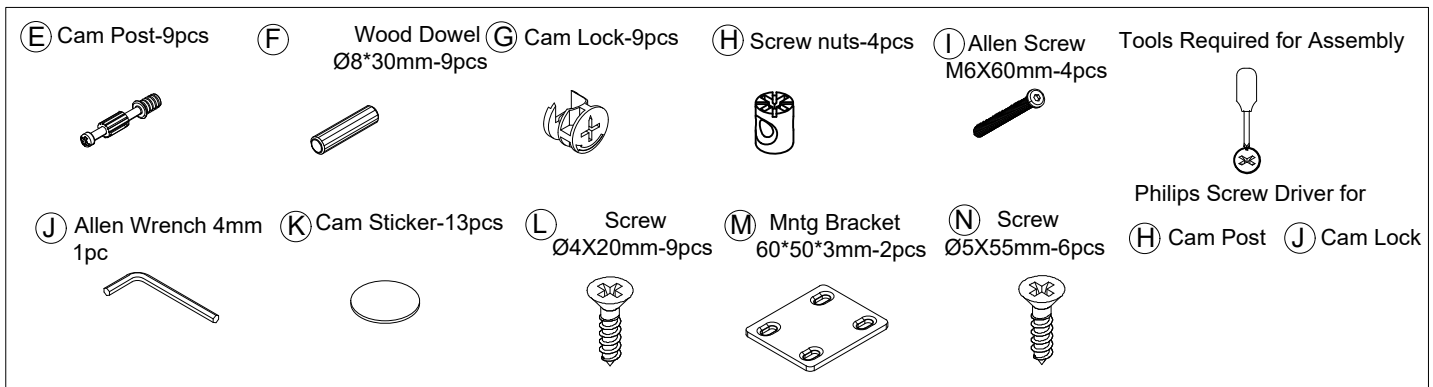




COMPONENTS

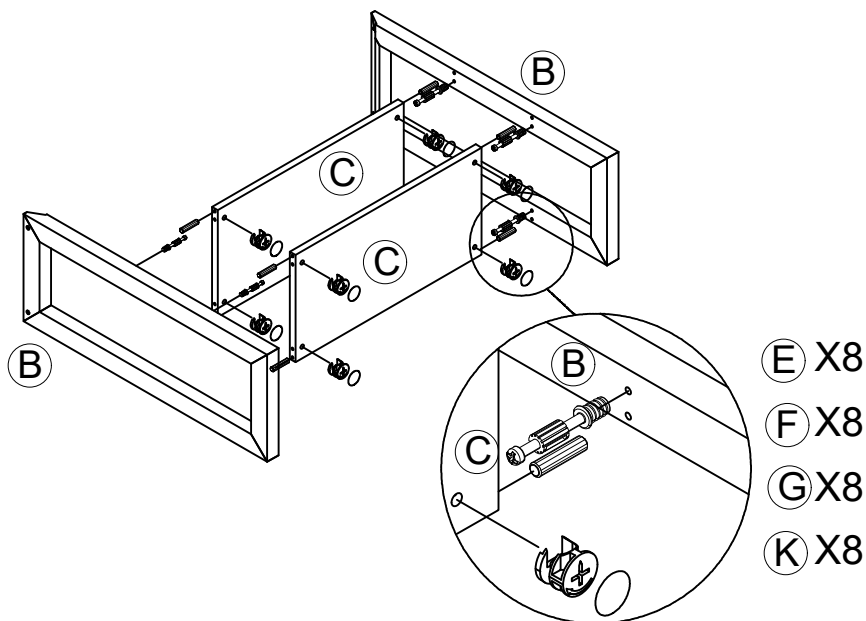


HARDWARE & TOOLS



INSTRUCTIONS - We don't recommend using power tools when installing Cam Posts.

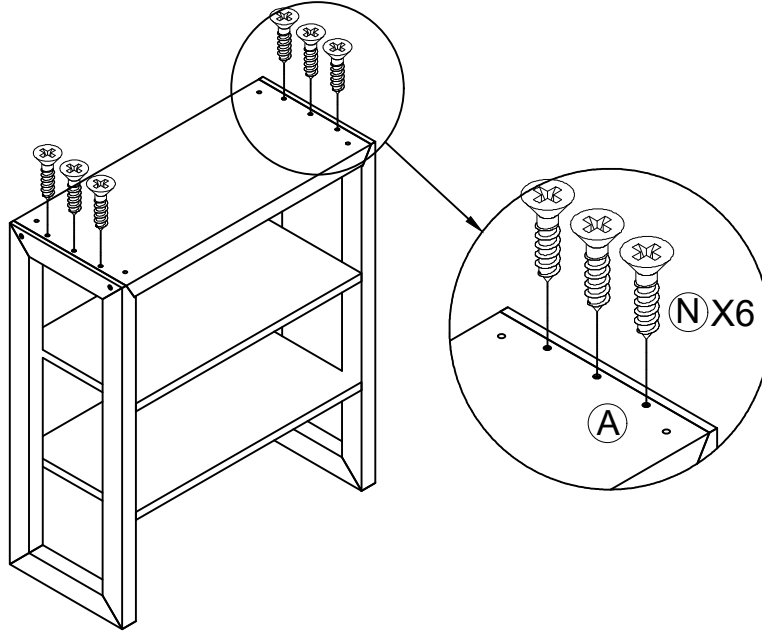
STEP 1



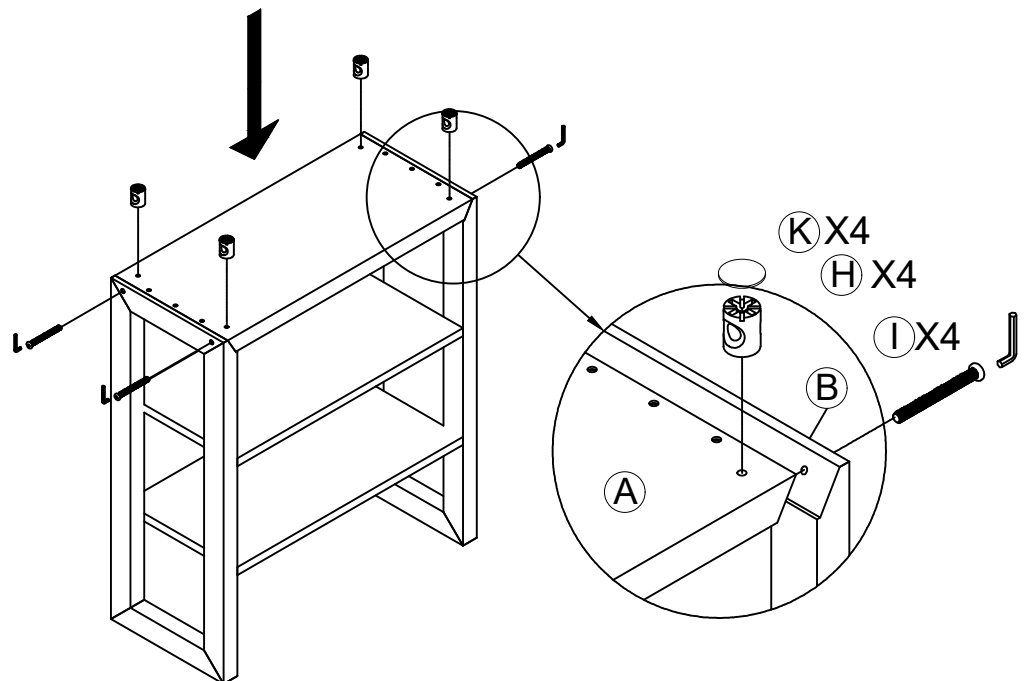


INSTRUCTIONS

STEP 2



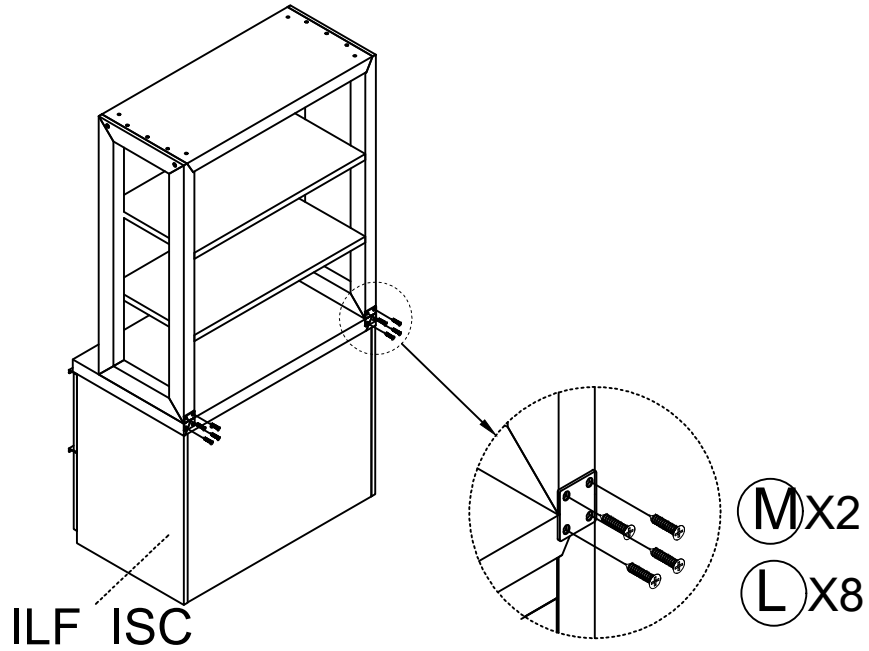
STEP 3





INSTRUCTIONS

STEP 4



COMPLETED

