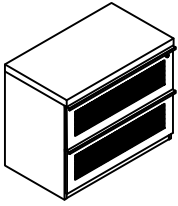




COMPONENTS

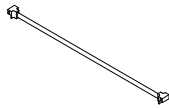
(A) Lateral File-1pc



HARDWARE & TOOLS

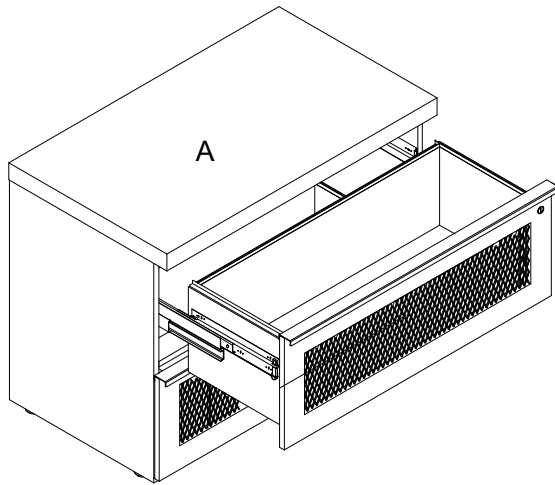
(B) Keys-1pc

(C) Legal Hanger Bar-4pcs

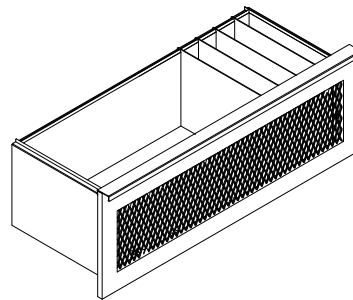


INSTRUCTIONS

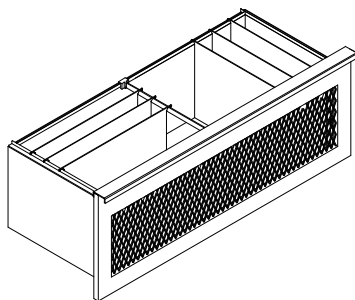
Note: Only open one drawer at a time.



No filing bars required for Letter sized hanging folders.



One filing bar for combination of Letter and Legal sized hanging folders.



Two filing bars for Legal sized hanging folders.

