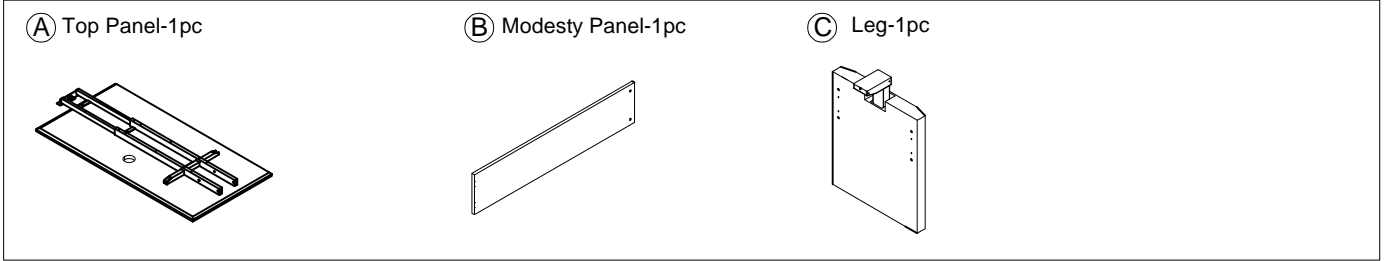
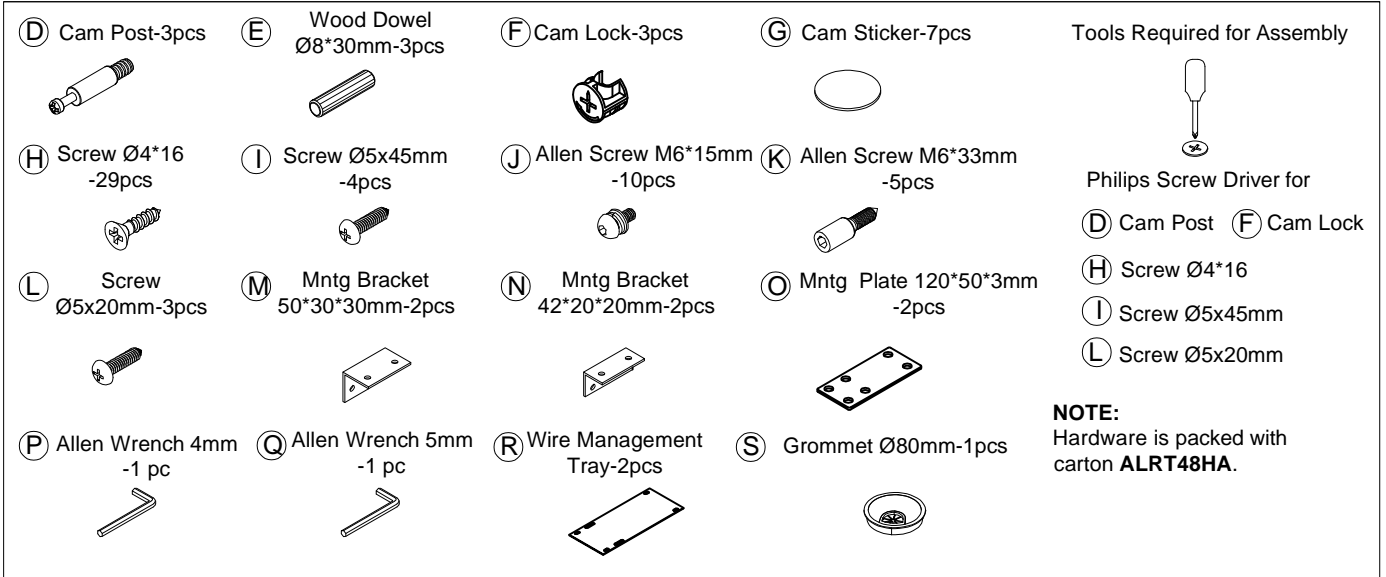


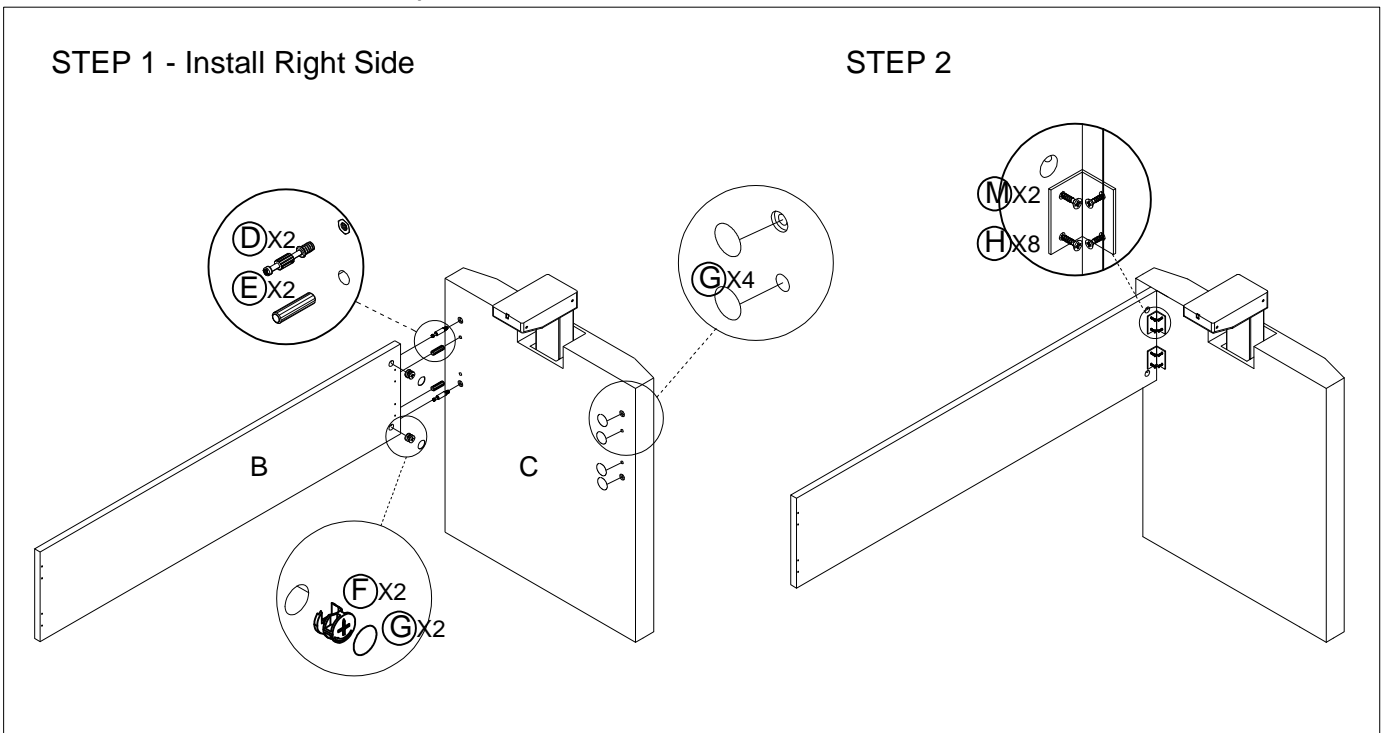
COMPONENTS



HARDWARE & TOOLS

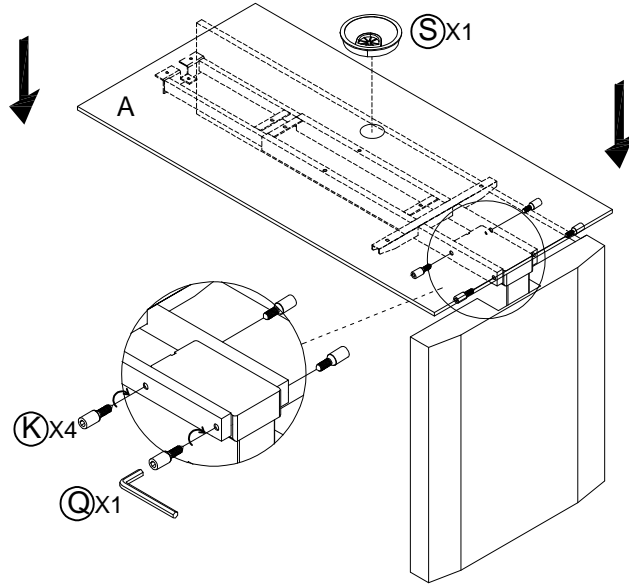


INSTRUCTIONS - Do not use power tools to assemble

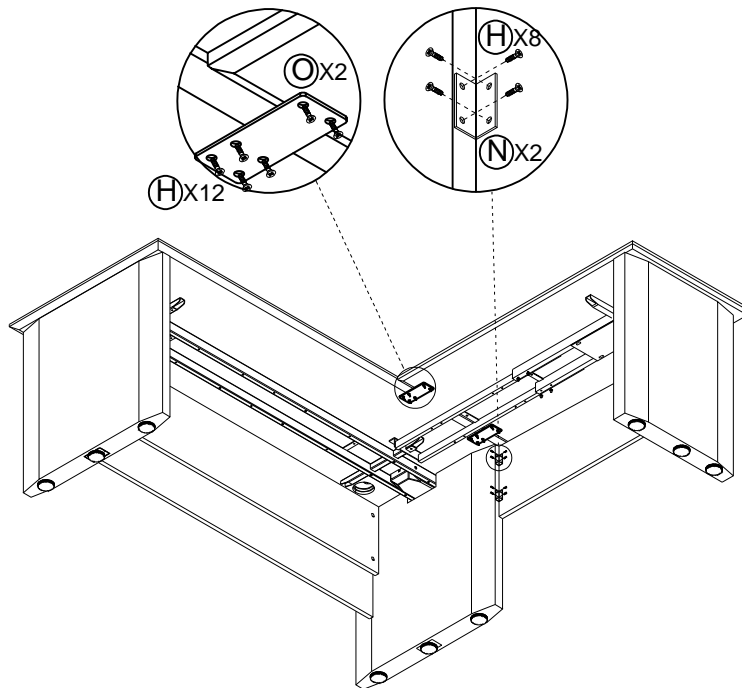


INSTRUCTIONS

STEP 3

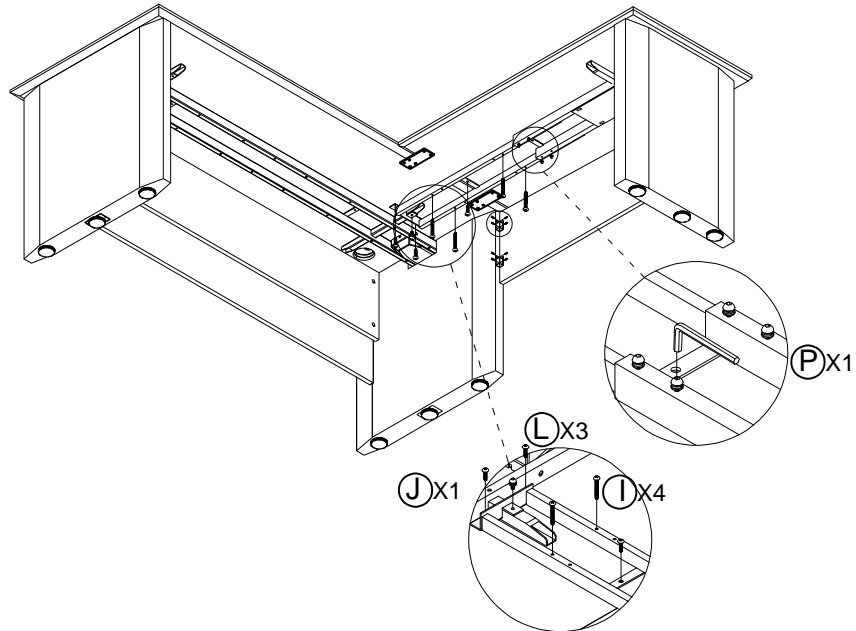


STEP 4

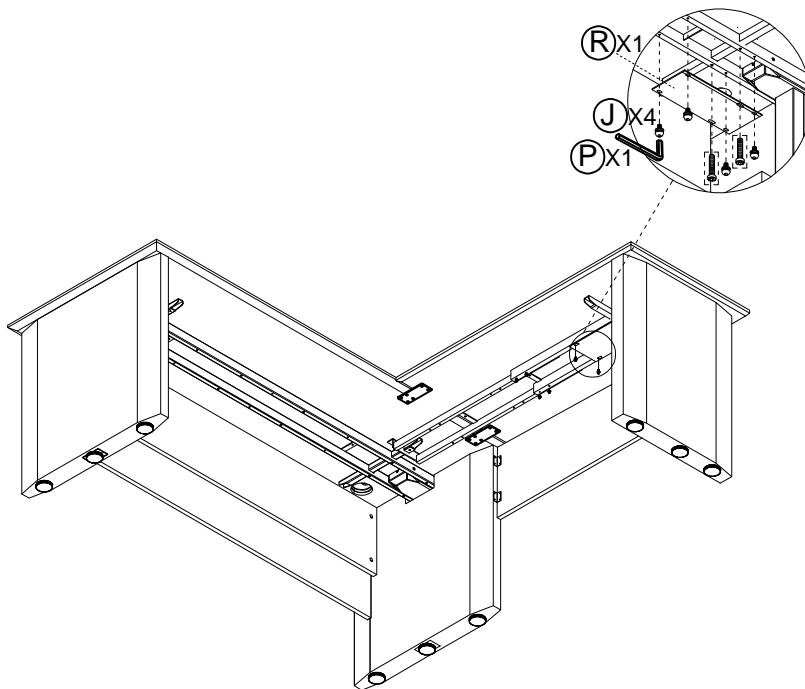


INSTRUCTIONS

STEP 5



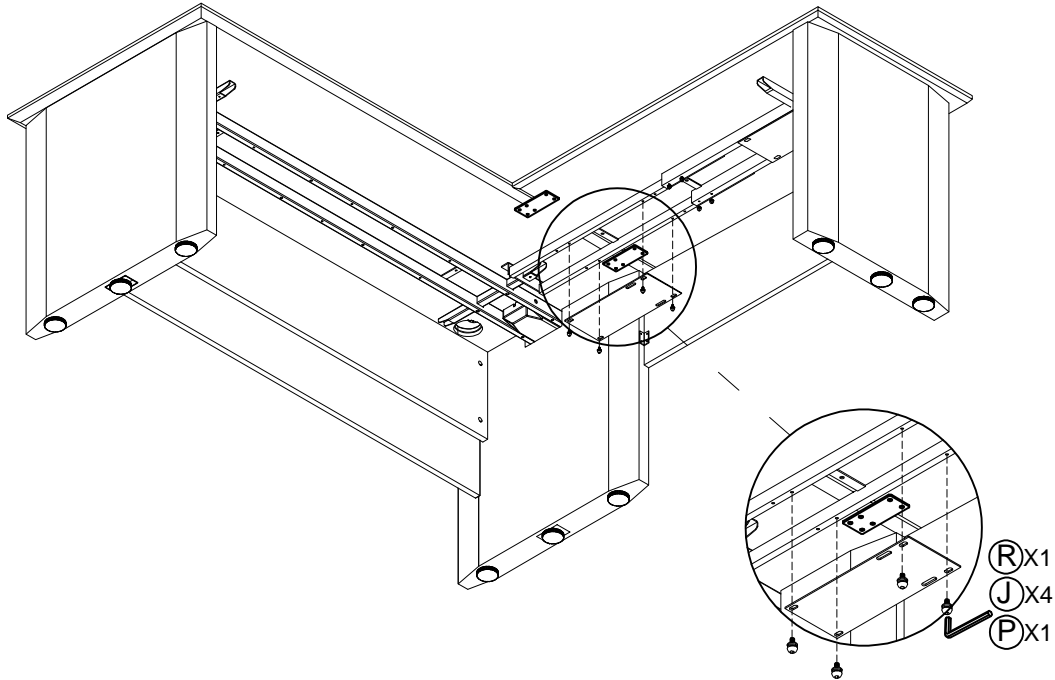
STEP 6



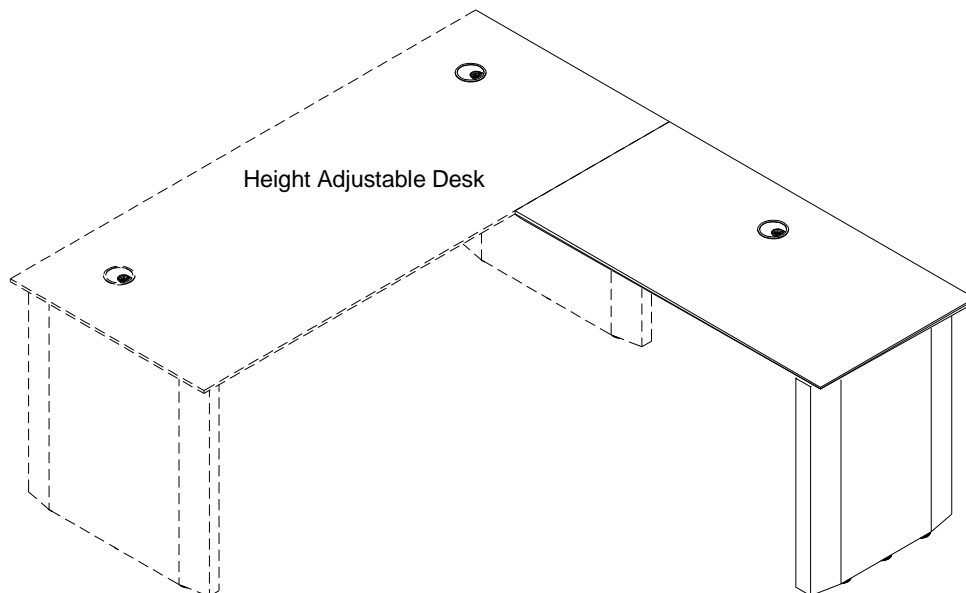
NOTE:
Uninstall the Frame Mounting Screws, Qty 2, with Allen Wrench (P). Install Wire Management Tray (R) to Frame using Screws (J) and Allen Wrench (P). Re-install Frame Screws through Wire Management Tray.

INSTRUCTIONS

STEP 7



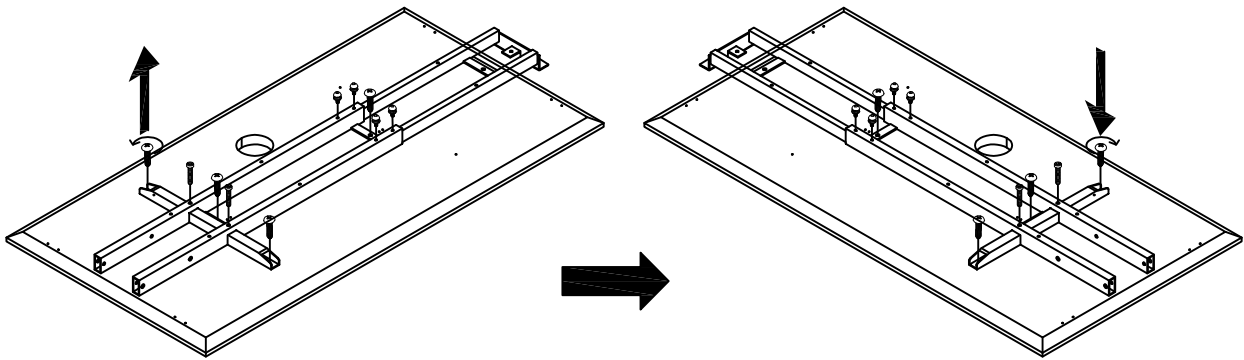
COMPLETED



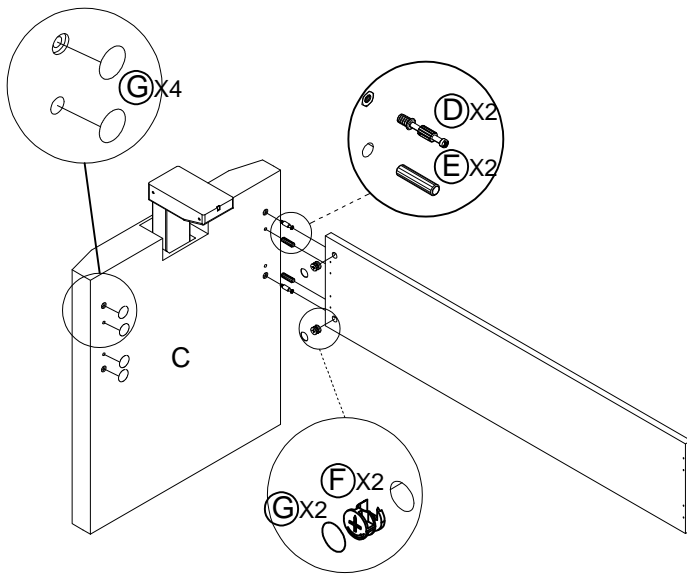
INSTRUCTIONS

Uninstall the Philips Screws and Allen Screws of the mounting frame, total Qty 4, with Allen Wrench (P) and tools, then turn around 180° and using screws install the mounting frame to other pre-drilled holes underside the height adjustable return top.

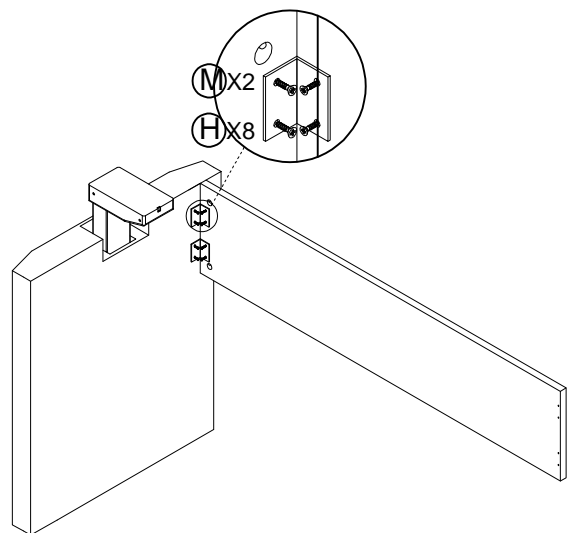
STEP 1 - Install Left Side



STEP 2

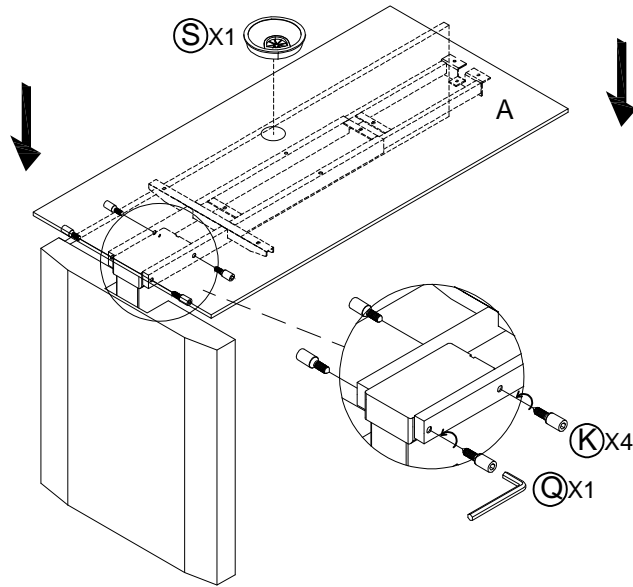


STEP 3

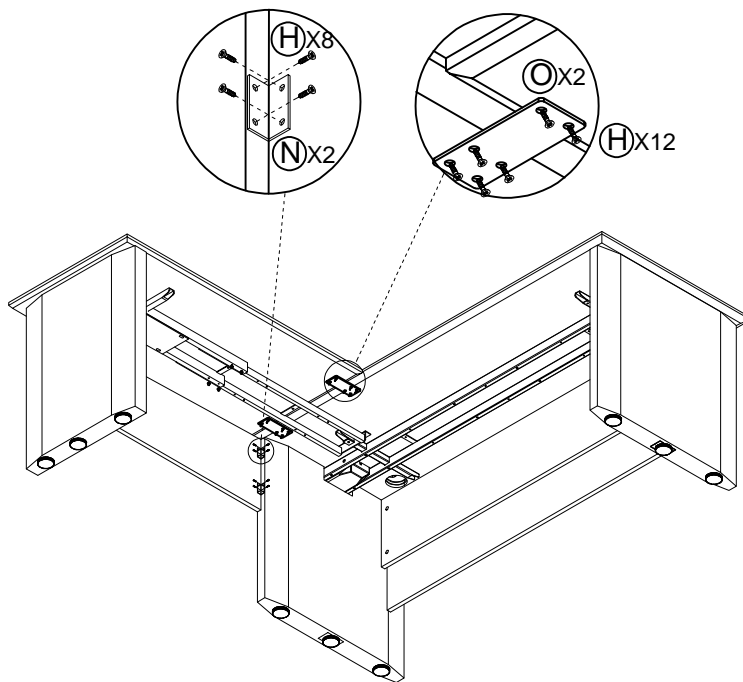


INSTRUCTIONS

STEP 4

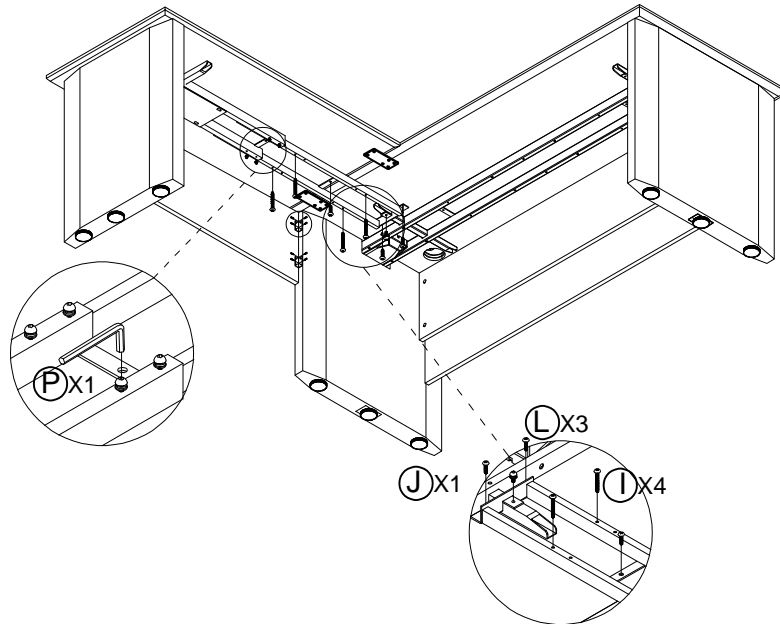


STEP 5

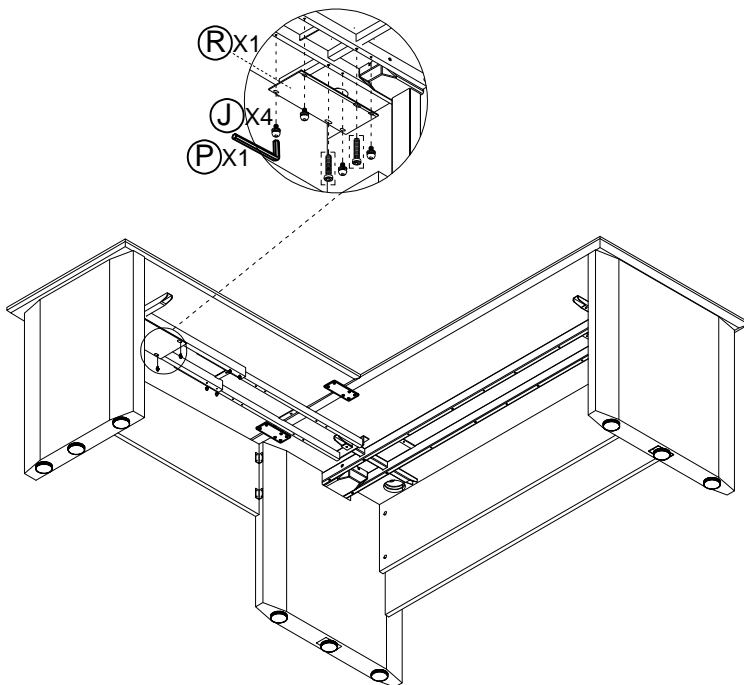


INSTRUCTIONS

STEP 6



STEP 7

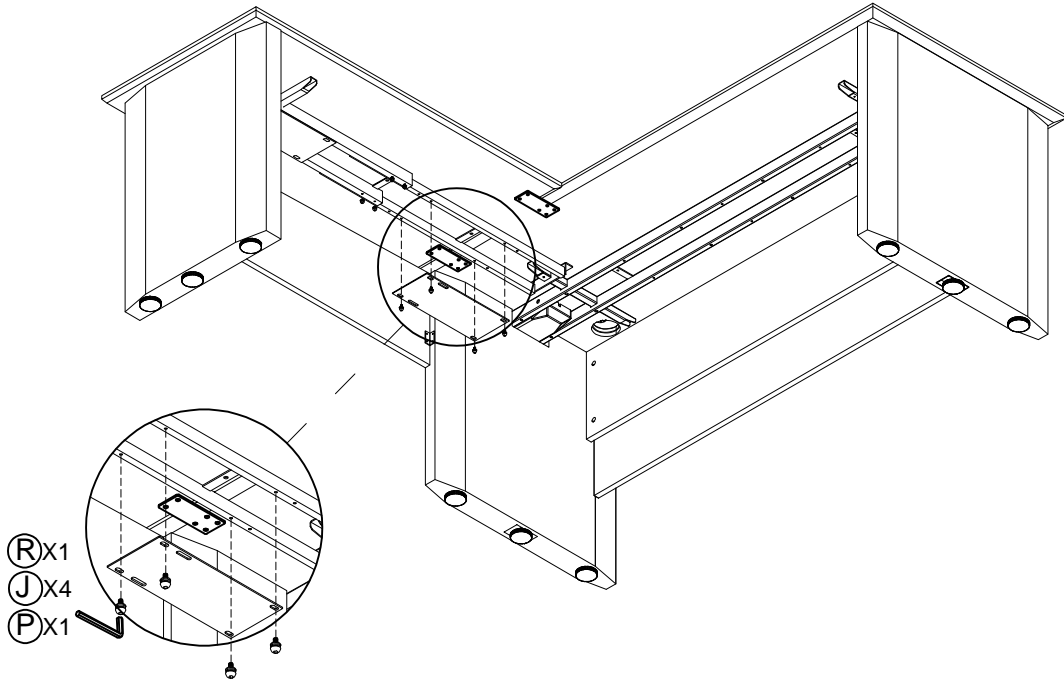


NOTE:

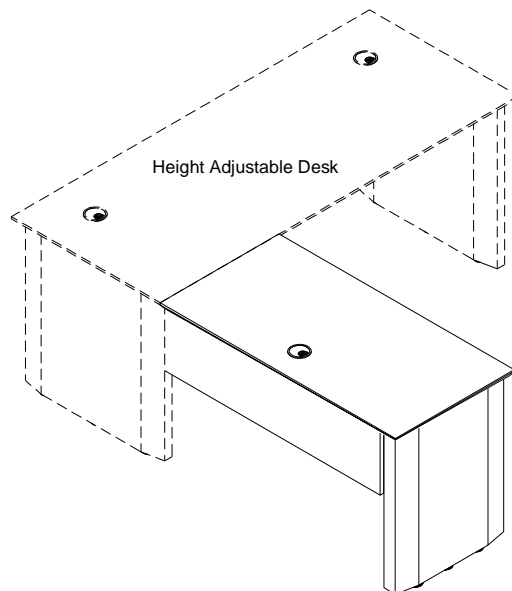
Uninstall the Frame Mounting Screws, Qty 2, with Allen Wrench (P). Install Wire Management Tray (R) to Frame using Screws (J) and Allen Wrench (P). Re-install Frame Screws through Wire Management Tray.

INSTRUCTIONS



STEP 8



COMPLETED

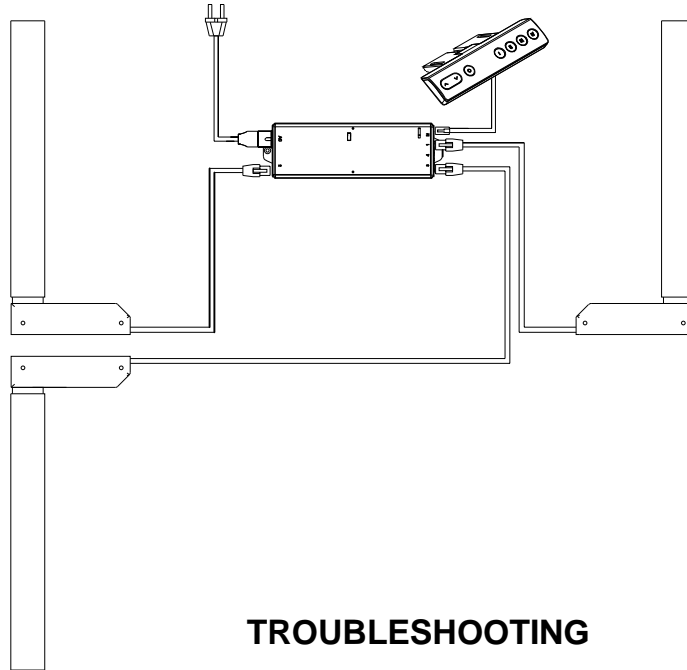


INSTRUCTIONS

 Make sure no obstacles are in the desk's path. 
Make sure the desktop is not touching any walls.
Make sure all cords are appropriate length to accommodate the change in height.

IMPORTANT: You must INITIALIZE the desk prior to first use.

Controller Initialization- Press and hold the Down button on the controller until the desk reaches its lowest height, slightly raises, and stops. Release the down button, your desk is now ready for use. (Following the "USER MANUALS" to use your desk)



TROUBLESHOOTING

If the table is not functioning properly it may need to be reset.

Unplug the power cord for 20 seconds.

Plug the power cord back in and follow the RESET procedures.

If the error message persists after the reset procedure, please contact your dealer.

If the height between the legs exceeds 1.5 inches, stop the reset procedure, please contact your dealer.