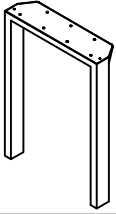


COMPONENTS

(A) Base Leg-2pcs



HARDWARE & TOOLS

(C) Mntg Bracket
60*50*3mm-2pcs

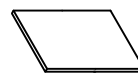
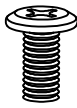
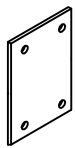
(D) Phillips Screw
M6X15mm-15pcs

(E) Screw
Ø4X16mm-5pcs

(F) Screw
Ø4.2X16mm-5pcs

(G) Plastic mat
40*20MM-4pcs

Tools Required for Assembly



Philips Screw Driver for

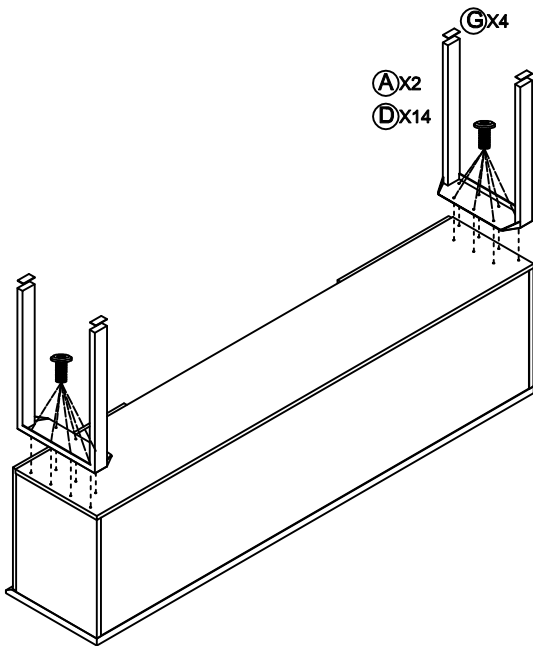
(D) Phillips Screw M6X15mm

(E) Screw Ø4X16mm

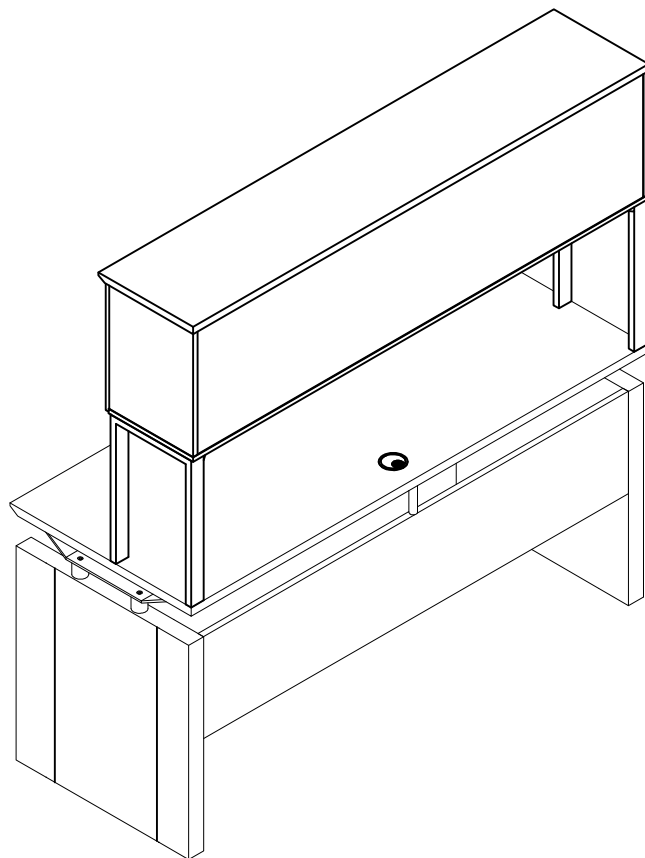
(F) Screw Ø4.2X16mm

INSTRUCTIONS - Do not use power tools to assemble

STEP 1

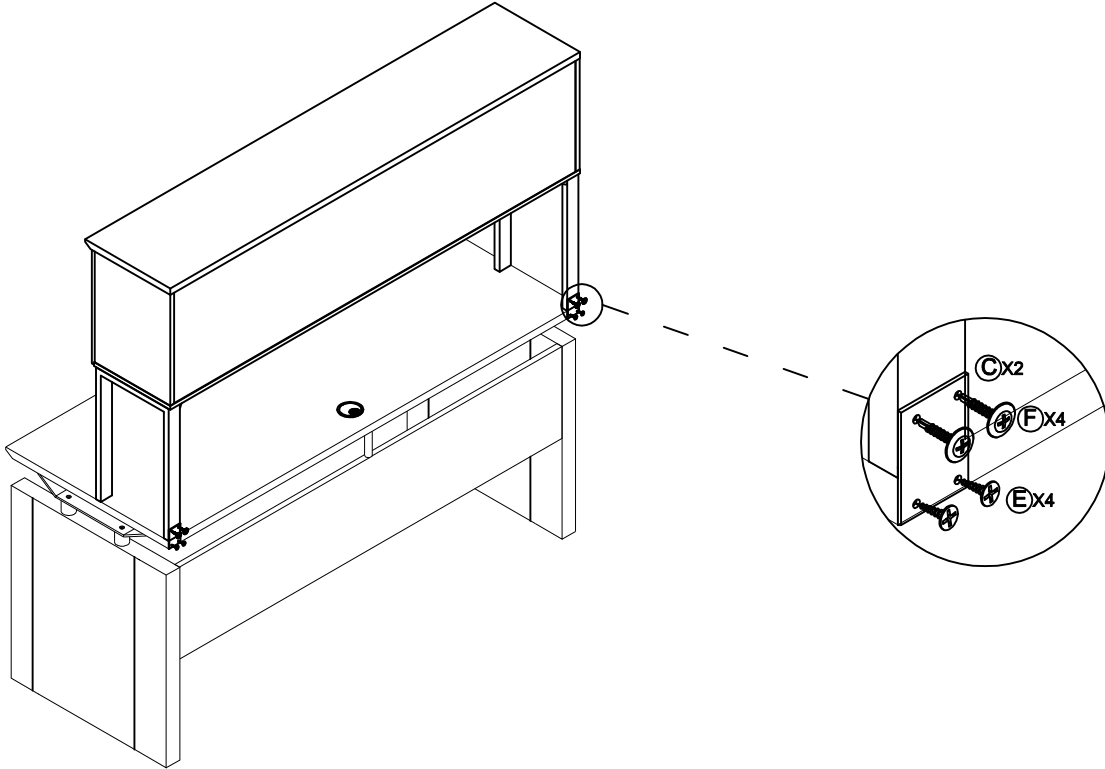


STEP 2



INSTRUCTIONS - Do not use power tools to assemble

STEP 2



COMPLETED

