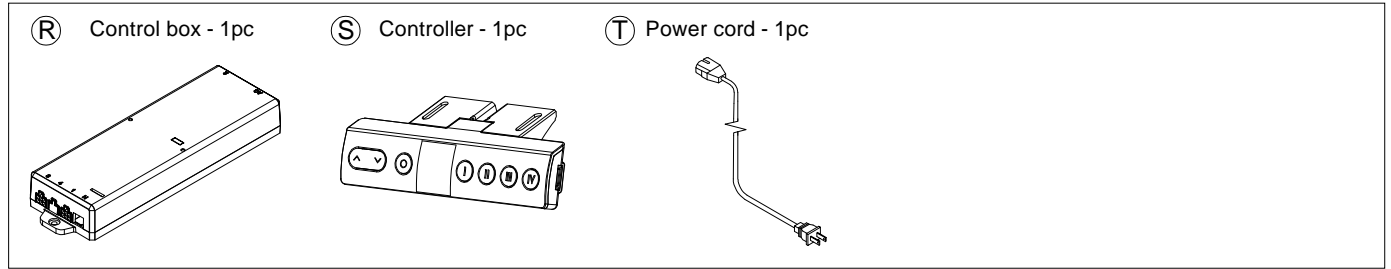
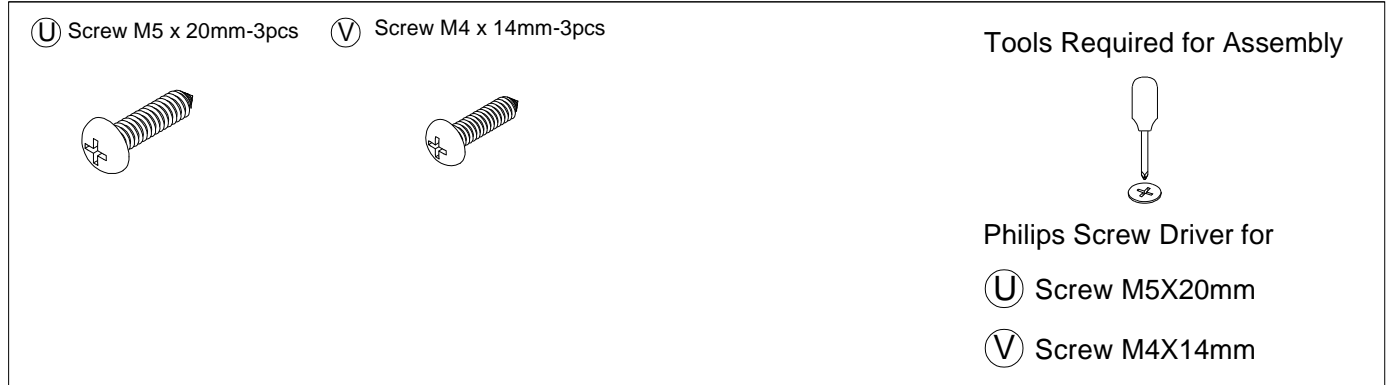


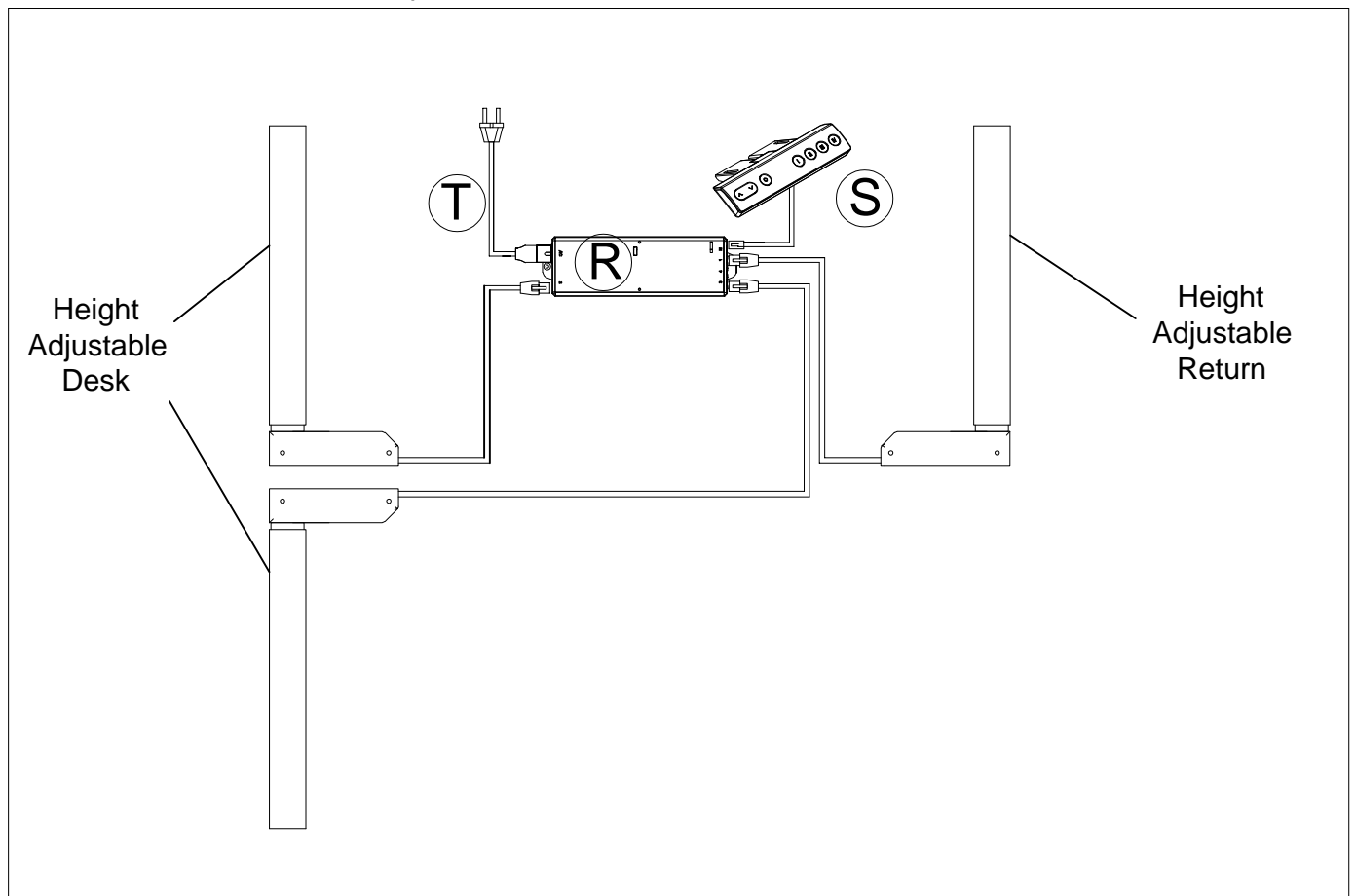
COMPONENTS



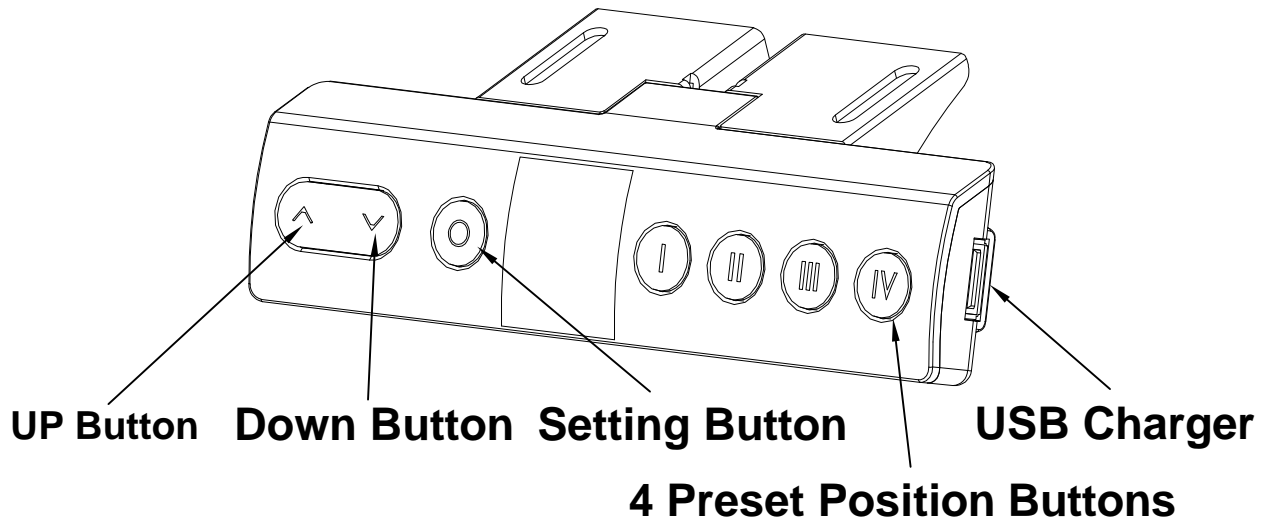
HARDWARE & TOOLS



INSTRUCTIONS - Do not use power tools to assemble



USER MANUAL



**Make sure no obstacles are in the desk's path.
Make sure the desktop is not touching any walls.
Make sure all cords are appropriate length to
accommodate the change in height.**



DESK MUST BE INITIALIZED BEFORE YOUR FIRST USE, and may need to be reinitialized (reset) from time to time to work properly.

INITIALIZATION: Press and hold Down Button until RST appears on the display. The desk will first go to the lowest position, then rise slightly and stop. Release the Down Button, Your desk is now ready to use.

RESET: Please note that desk needs to be reset from time to time when it is not working properly in events like sudden power outage, imbalance, etc. The reset process is the same as initialization and requires more than a simple power-off and power-on for most electronic devices. Unplug the power cord for 20 seconds, plug back in and follow initialization procedure.

USER MANUAL

PROGRAM UP/DOWN: Press the UP Button, the legs will move up; Press DOWN Button, the legs will move down; release to stop movement .

PROGRAM HEIGHT LIMITS: Move the desk to your desire upper height limit. Press the Setting Button and Up Button simultaneously for one second. The upper limit is set when HI is displayed. To cancel, press the same buttons again. The upper limit is cancelled when HCL is displayed. To set lower height limit, press Setting Button and Down Button simultaneously for one second. The lower limit is set when LO is displayed. To cancel, press the same buttons again. The lower limit is cancelled when LCL is displayed. If you need to program height limits, always do it before you program presets.

PROGRAM POSITION PRESETS: Use Up and Down Buttons to move desk to your desired position, press SETTING button and one of the four Preset Position buttons simultaneously. You can program up to four presets. The panel will display 1CF, 2CF , 3CF and 4CF for each preset when it is done.

PROGRAM INCH/CM: Press the Setting Button for 7 seconds until SET is display, and then press the first Preset Button. The LED will show the default unit of measurement, then press Up Button or Down button to change.

OVERHEAT: To avoid overheating, don't move the desk up and down continuously for over two minutes within any 20 minute period. If the desk overheats, LED will display OH. Stop using the desk for 18 minutes and let the desk cool down.

SLEEP MODE: The Buttons only operate at the second touch - due to recall from sleep mode before operation.

TROUBLE SHOOTING

Issues/Error Message	Solution
<p>Desk does not go up or down. The controller illuminates when any button is pressed.</p>	<p>Unplug the power cord. Wait for 20 seconds and re-plug. Reset desk. If the problem persists, switch motor cables at control box and attempt another reset.</p>
<p>Desk does not go up or down. The controller does not illuminate when any button is pressed.</p>	<p>Check all connections. Make sure power cord is plugged into the control box and a power outlet. Check fuse if the controller still does not illuminate. Reset desk when the controller illuminates. If the problem persists, switch motor cables at control box and attempt another reset.</p>
<p>Desk is unusually noisy</p>	<p>The desk has multiple stages. It is normal that it is noisier when one stage extends into another. Apply silicon lubricant if it is unusually noisy.</p>
<p>Columns do not go up evenly</p>	<p>Unplug the power cord. Wait for 20 seconds and re-plug. Reset desk. If the problem persists, switch motor cables at control box and attempt another reset.</p>

TROUBLE SHOOTING

Issues/Error Message	Solution
Desk does not reset	Perform a hard reset. Unplug one motor cable and press up button. ER1 or ER2 will be displayed. Re-plug the motor cable and press down button for 10 seconds until RST appears.
Overheat	The message is displayed as OH on the controller. Stop using the desk for 10 minutes and let the desk cool down.
Motor Jam	The message is displayed on the controller as ER1 or ER2. Reset the desk. If the problem persists, switch motor cables at control box and attempt another reset.
Motor Speed Malfunction	Unplug the power cord. Wait for 20 seconds and re-plug. Reset desk. If the problem persists, switch motor cables at control box and attempt another reset.
Motor Wire Malfunction	The message is displayed on the controller as ER1 or ER2. Switch motor cables at control box and reset the desk. If the problem persists, replace motor cables and reset.