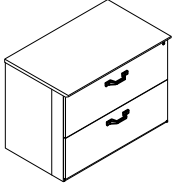


COMPONENTS

(A) Lateral File-1pc

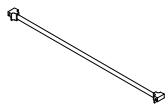


HARDWARE & TOOLS

(B) Keys-1pc

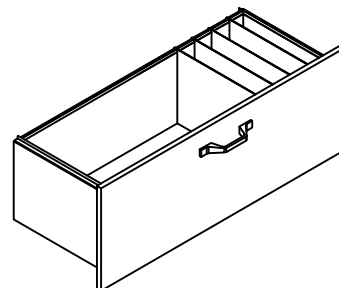
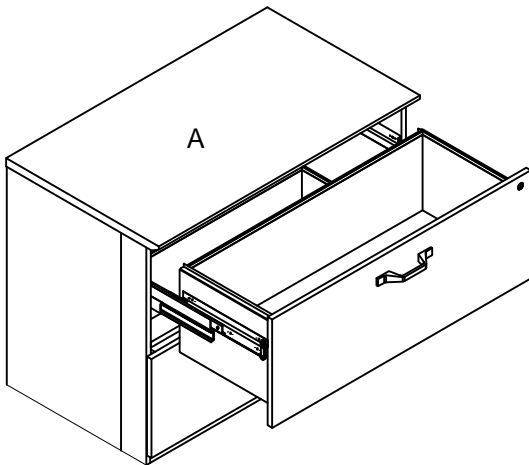


(C) Legal Hanger Bar-4pcs



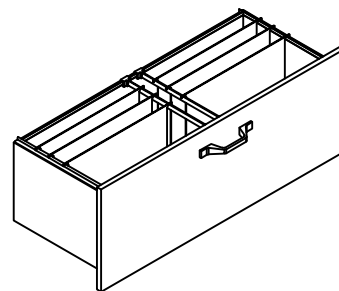
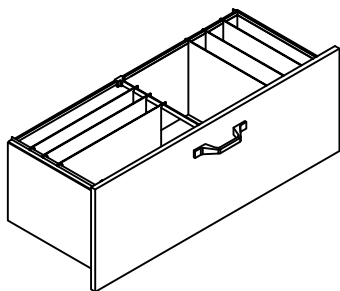
INSTRUCTIONS

Note: Only open one drawer at a time. No filing bars required for Letter sized hanging folders.



One filing bar for combination of Letter and Legal sized hanging folders.

Two filing bars for Legal sized hanging folders.



Attention:

When you look inside the cabinet in between the gaps there is an anti-tip mechanism one of the two sides.

There is a black lever coming out of the top and bottom.

One of the black levelers needs to be pushed in the opposite direction that it is in. Once that is done, the cabinet doors should close and everything should work ok.

Anti-tip Mechanism should look like this (showing left side of the cabinet) for Top Drawer open and Bottom Drawer closed:



Anti-tip Mechanism should look like this (showing right side of the cabinet) for Top Drawer closed and Bottom Drawer open:

