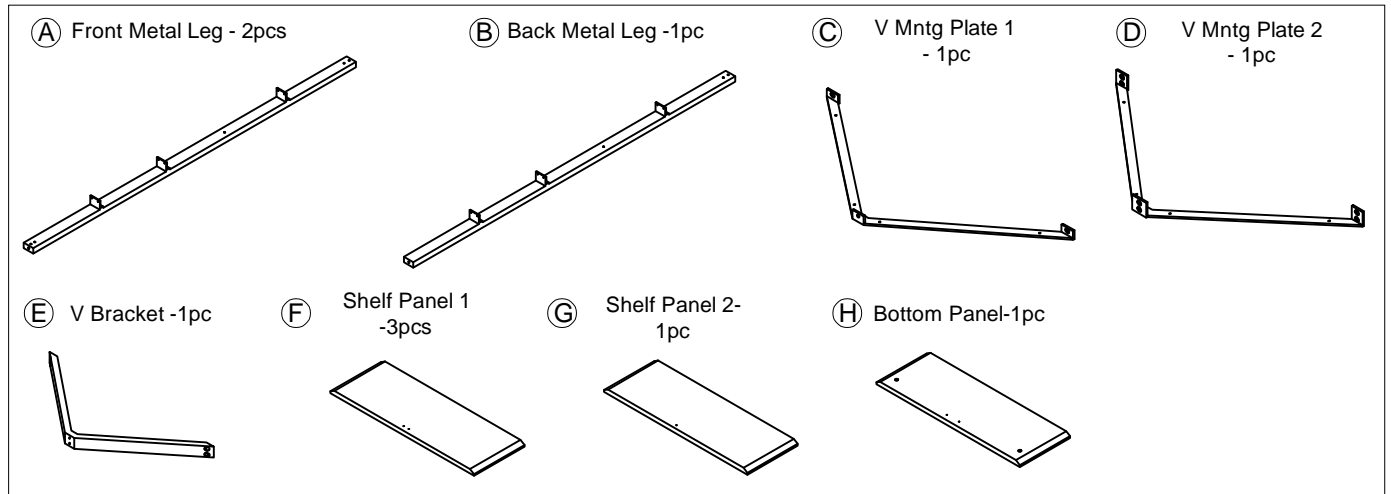
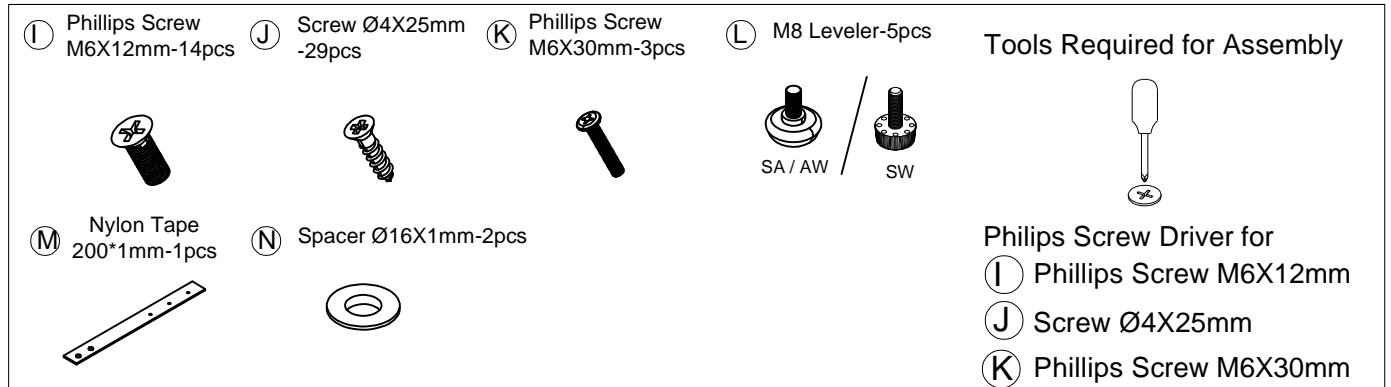


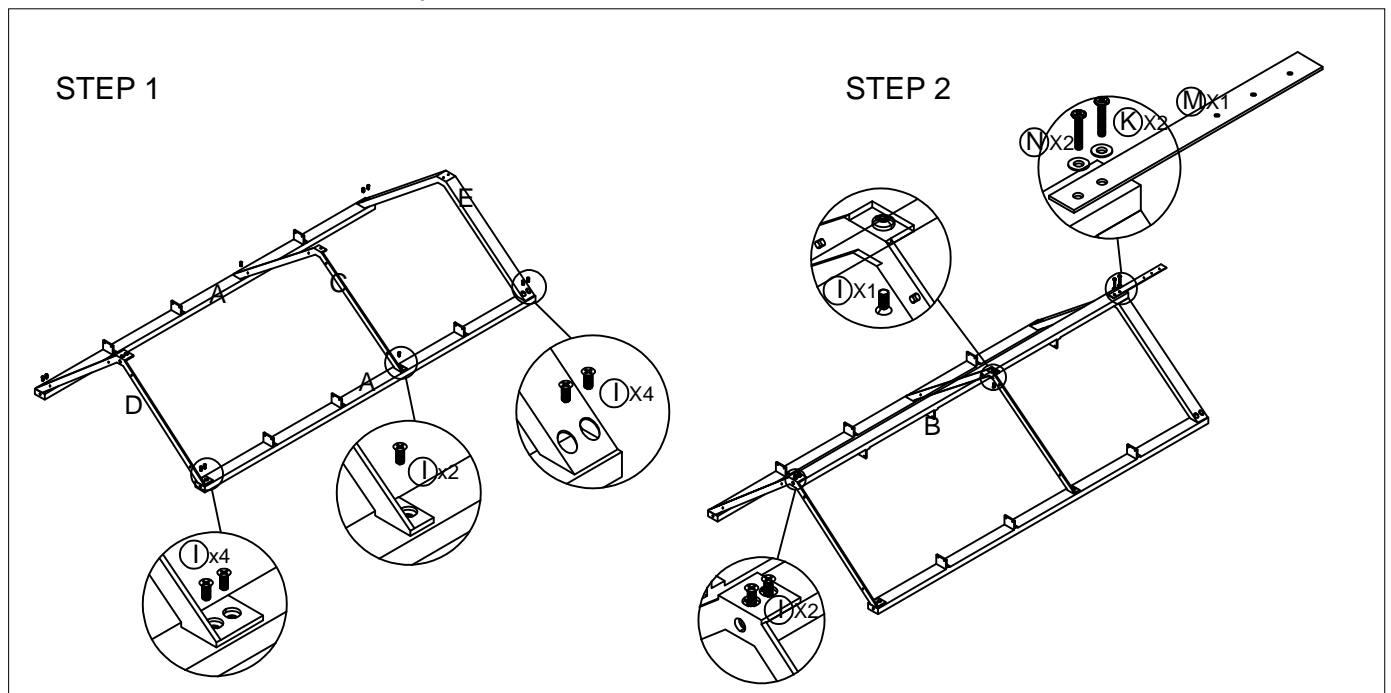
COMPONENTS



HARDWARE & TOOLS

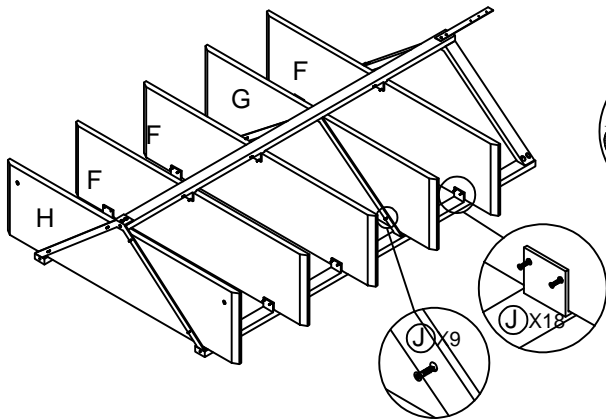


INSTRUCTIONS - Do not use power tools to assemble

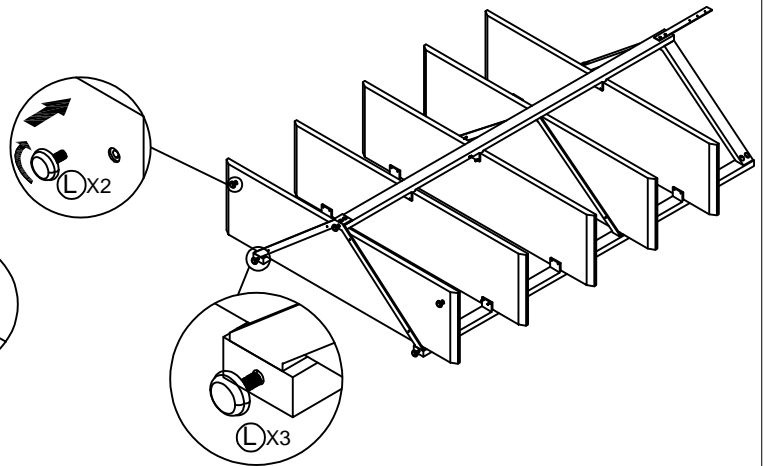


INSTRUCTIONS

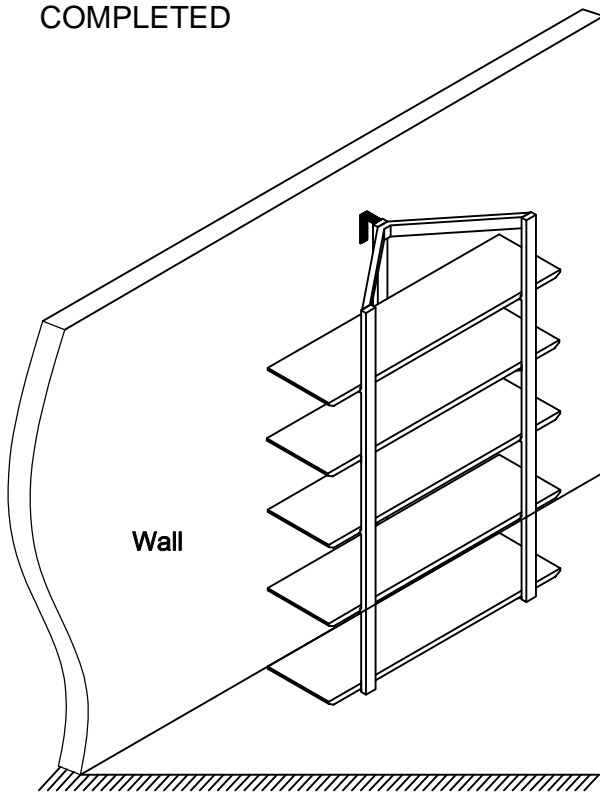
STEP 3



STEP 4



COMPLETED



Due to the various wall construction methods, it is up to a professional installer to secure the Nylon Tape (M) Bracket to the wall with the proper fasteners and/or anchors as required by the wall construction at the desired mounting location.