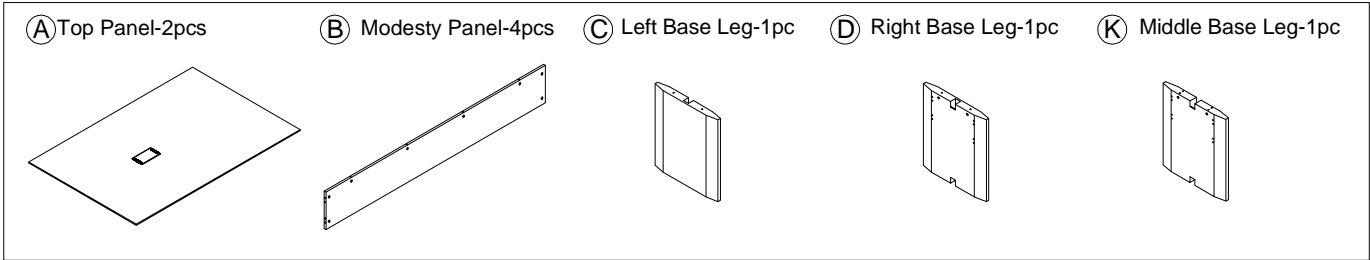
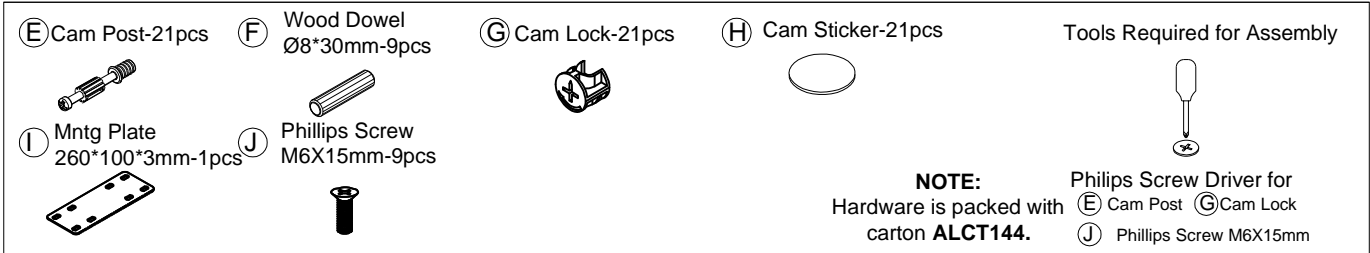


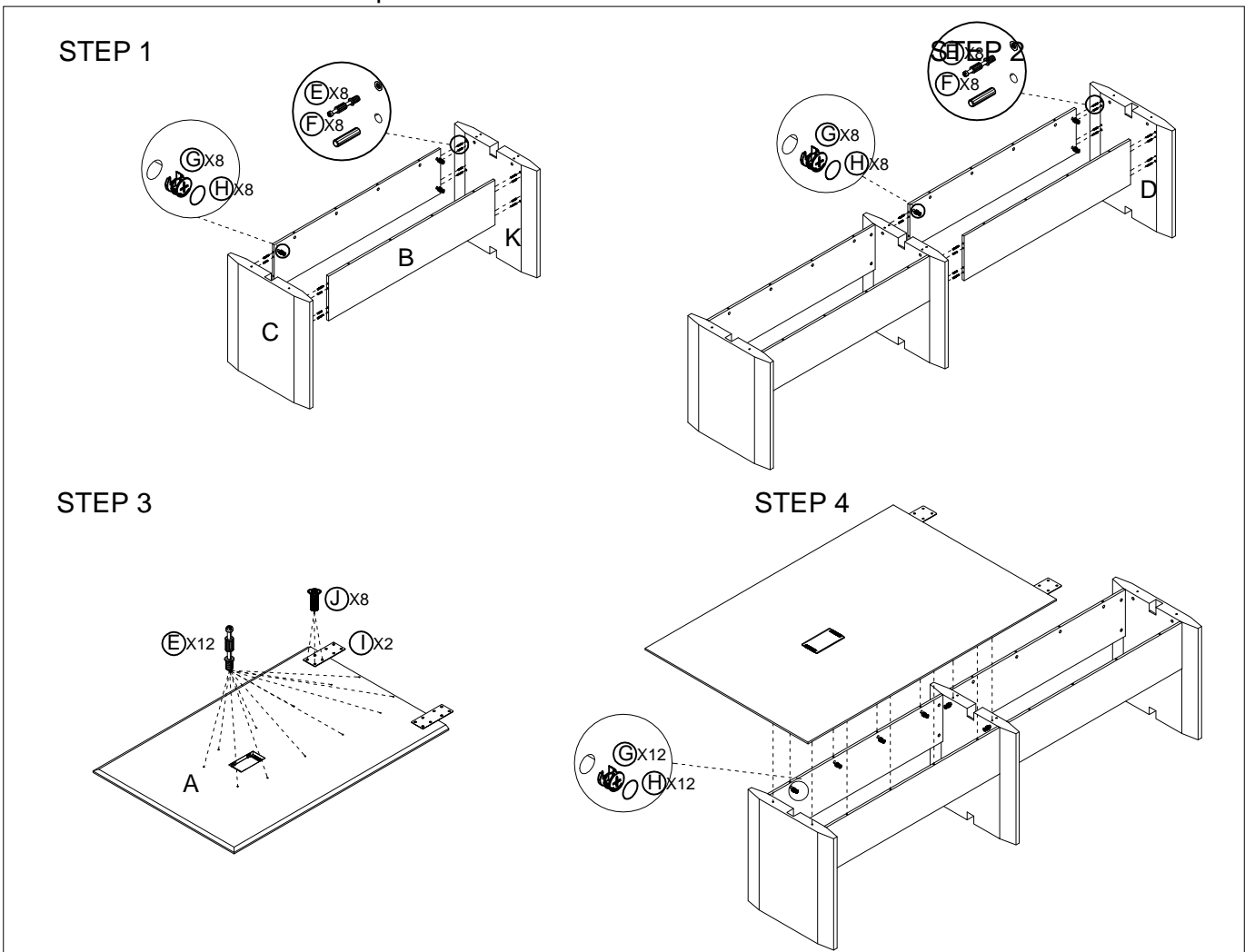
COMPONENTS



HARDWARE & TOOLS

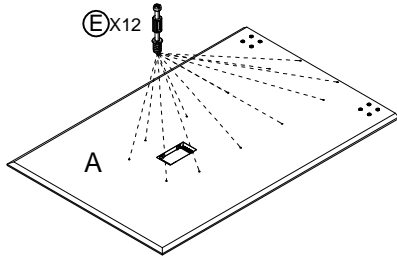


INSTRUCTIONS - Do not use power tools to assemble

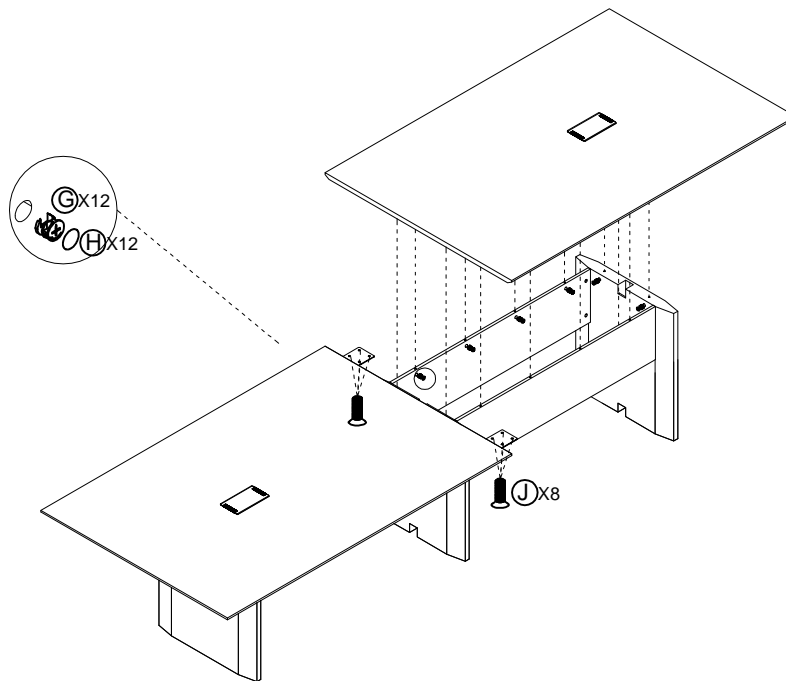


INSTRUCTIONS

STEP 5



STEP 6



COMPLETED

