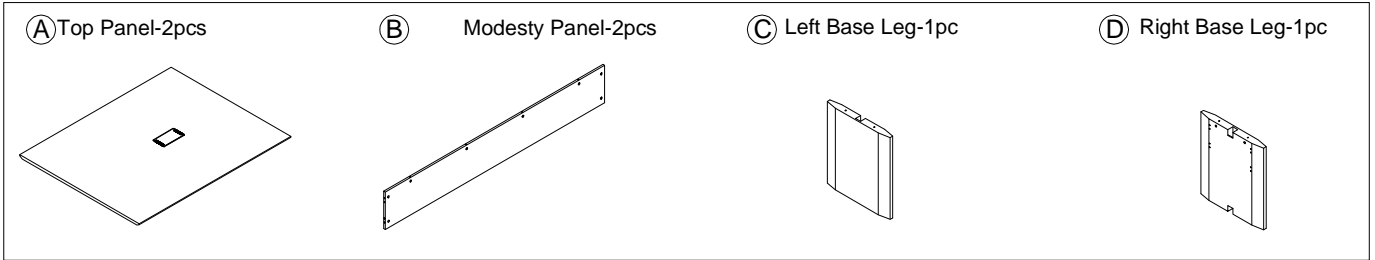
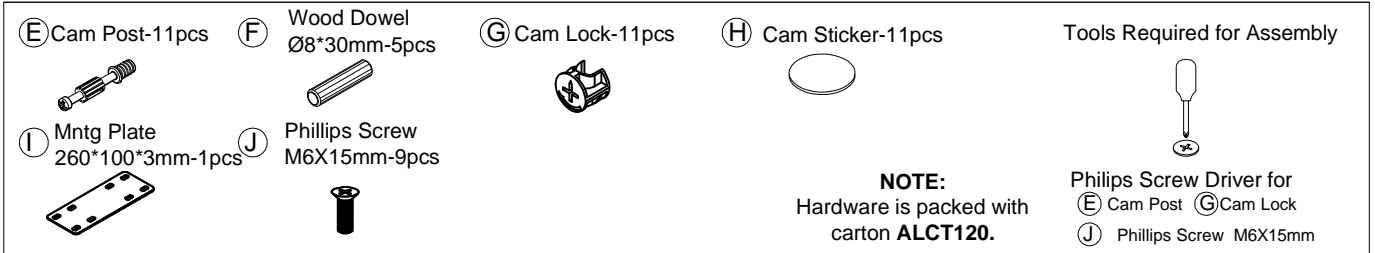


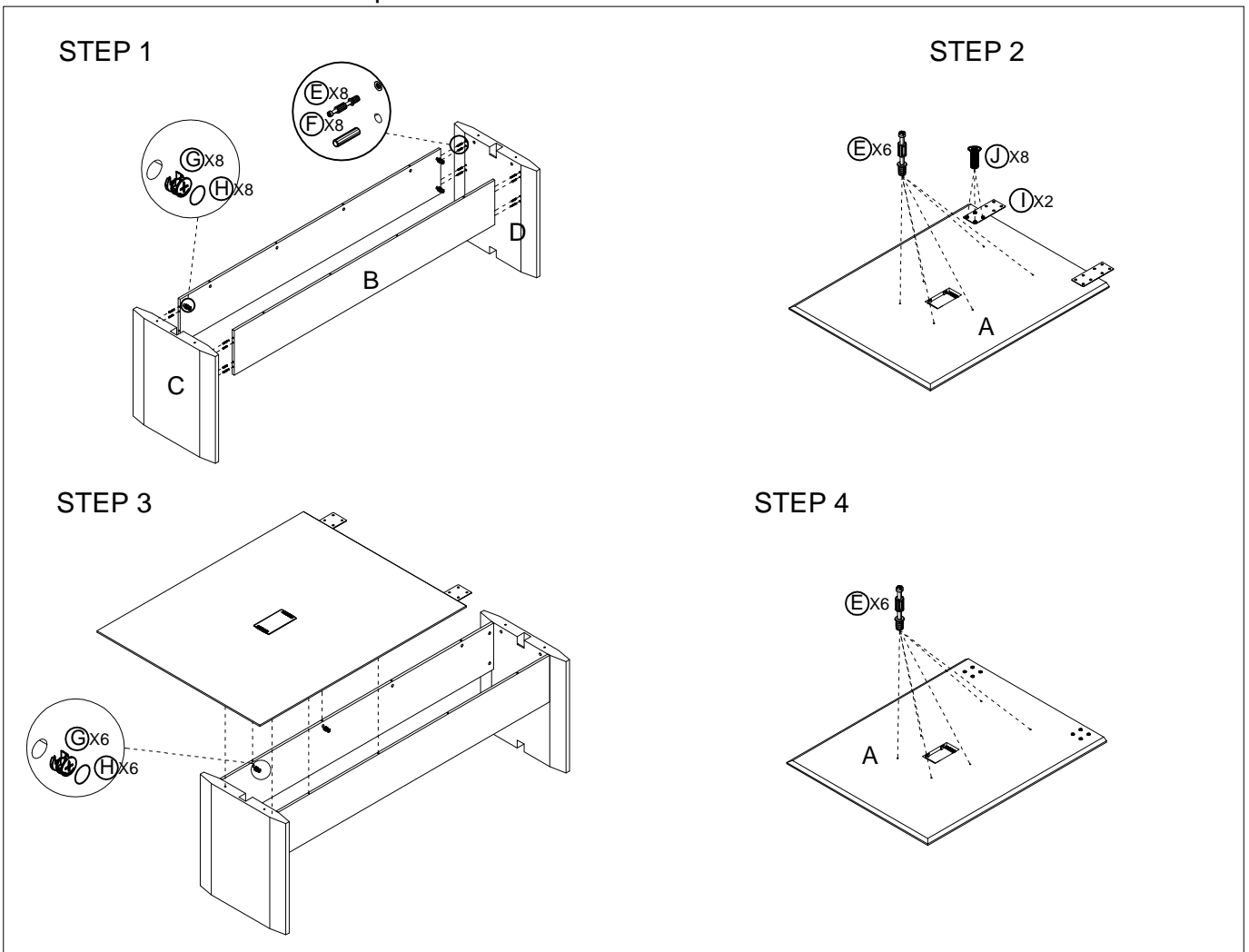
COMPONENTS



HARDWARE & TOOLS

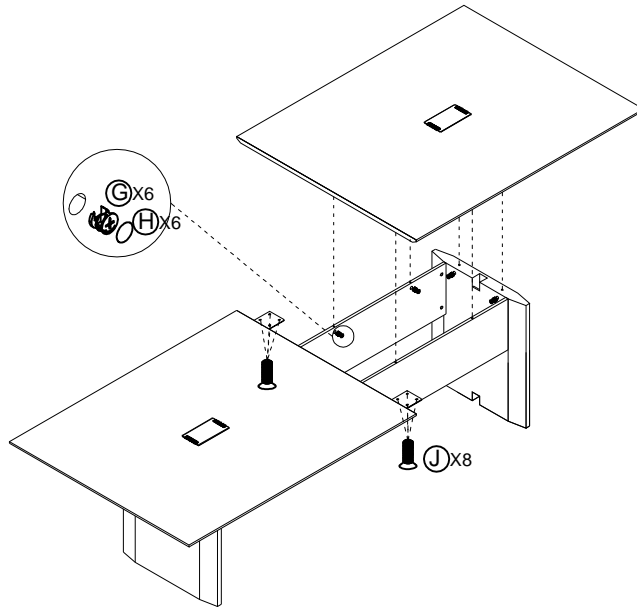


INSTRUCTIONS - Do not use power tools to assemble



INSTRUCTIONS

STEP 5



COMPLETED

