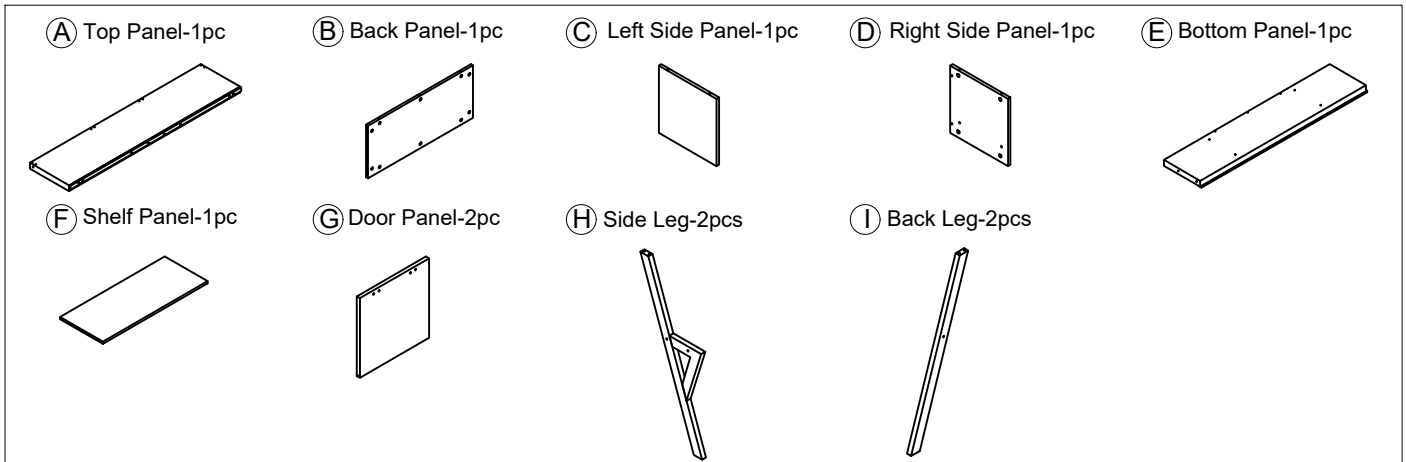
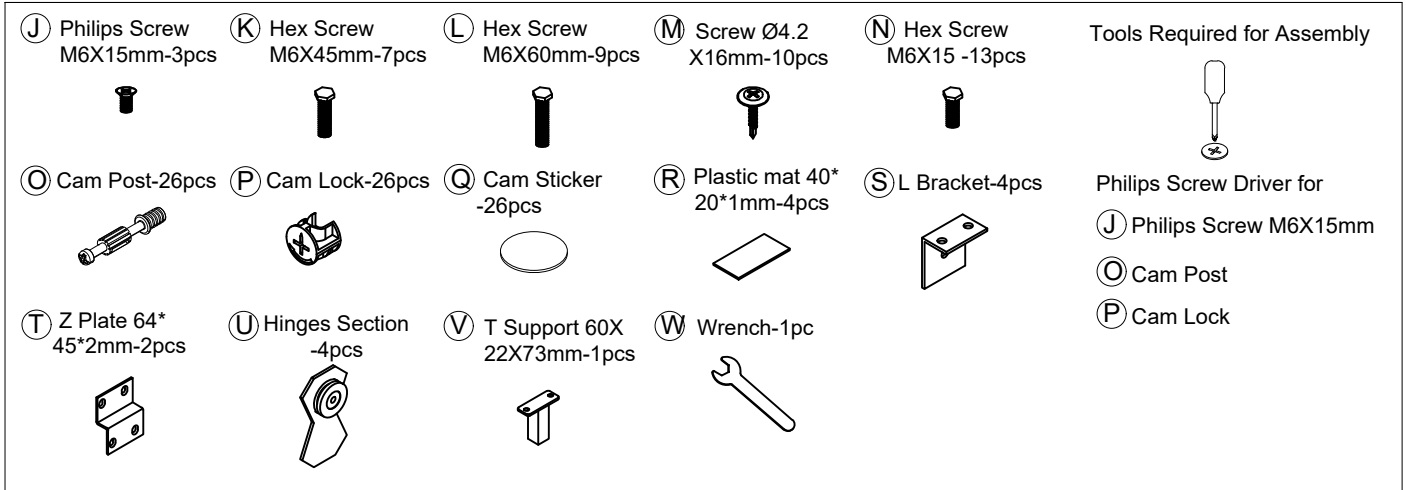




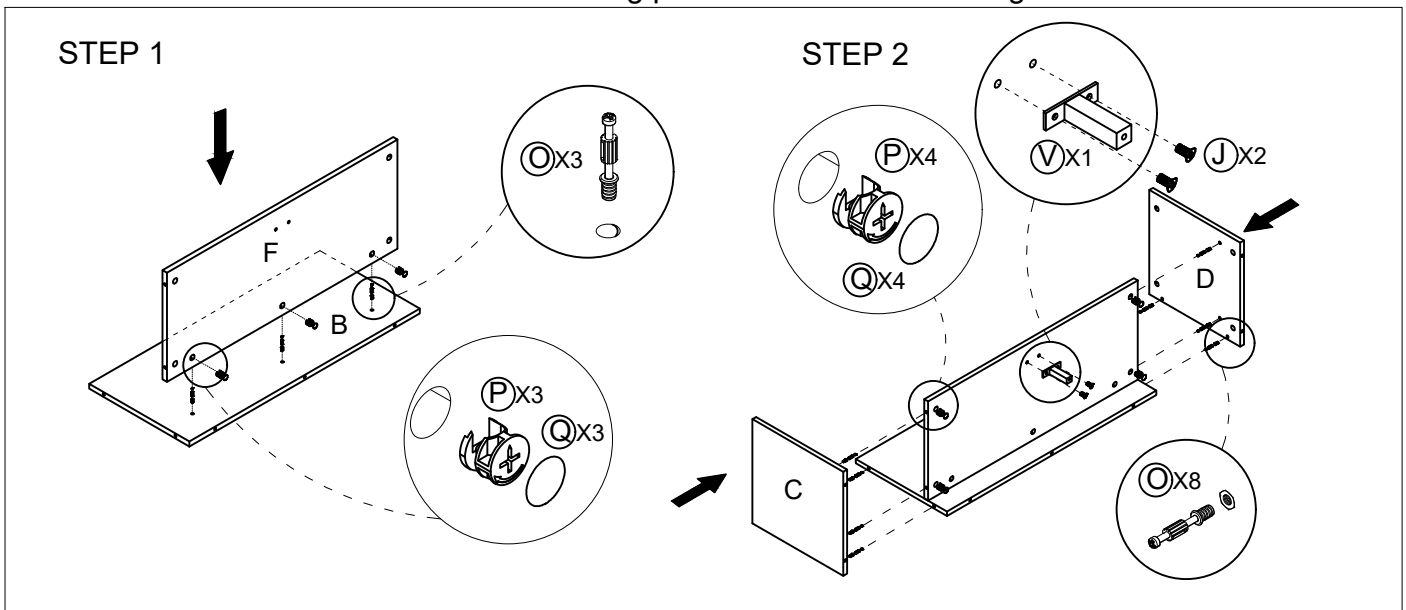
COMPONENTS



HARDWARE & TOOLS



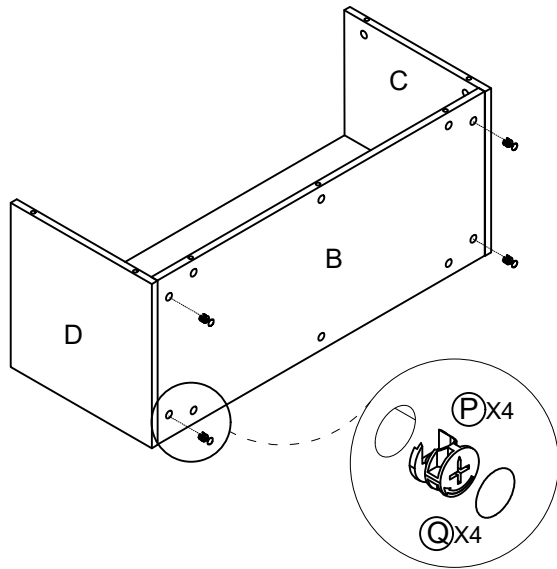
INSTRUCTIONS - We don't recommend using power tools when installing Cam Posts.



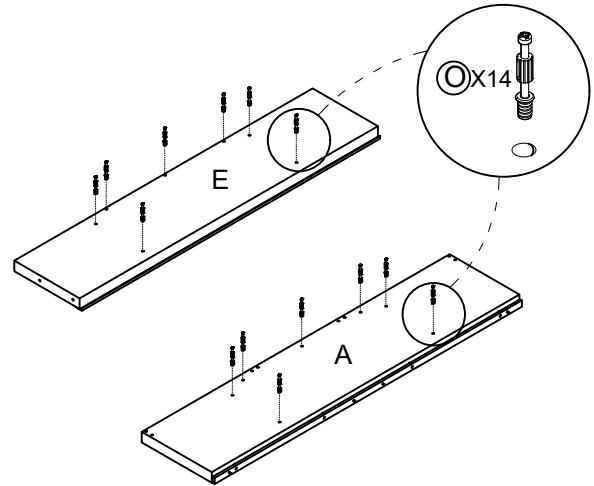


INSTRUCTIONS

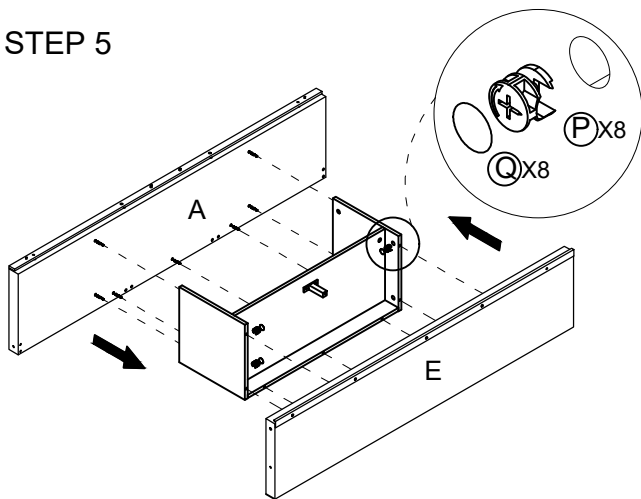
STEP 3



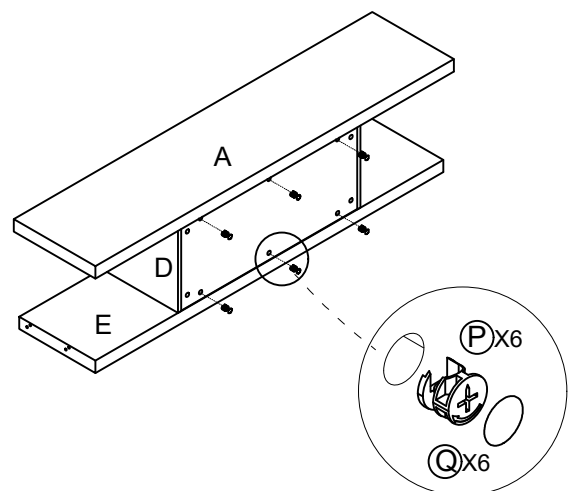
STEP 4



STEP 5



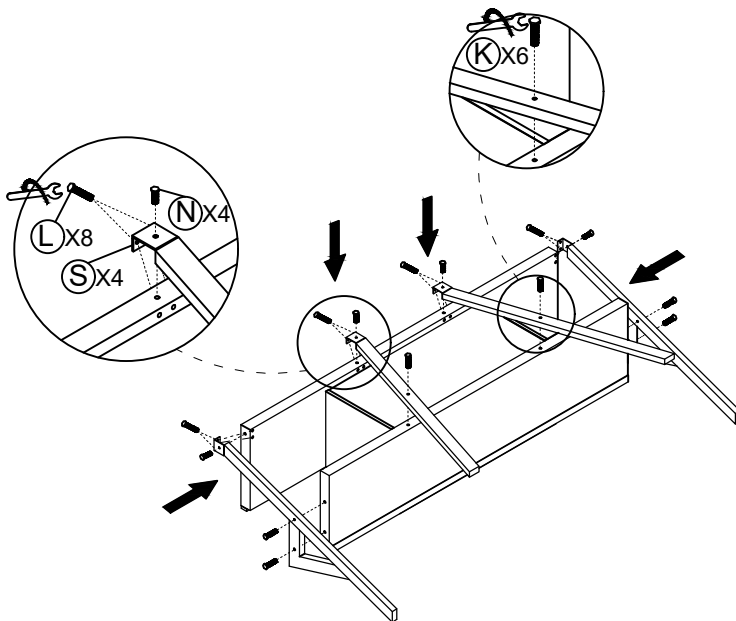
STEP 6



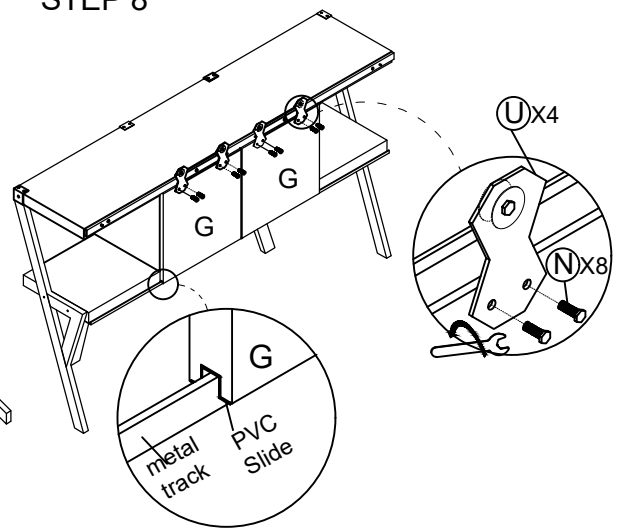


INSTRUCTIONS

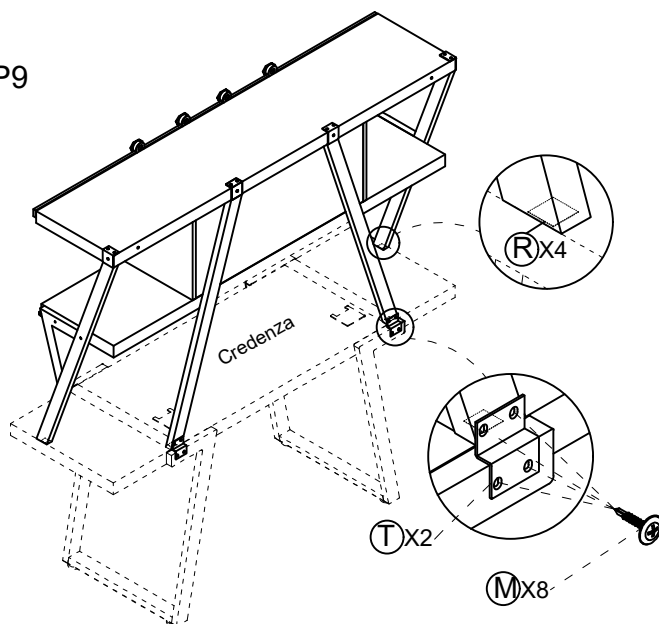
STEP 7



STEP 8



STEP 9



COMPLETED

