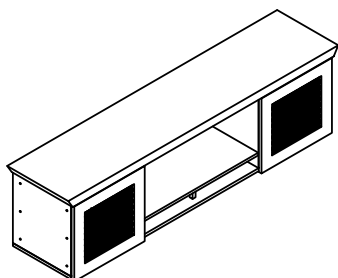
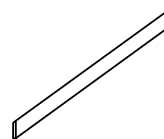


COMPONENTS

Ⓐ Hutch Body

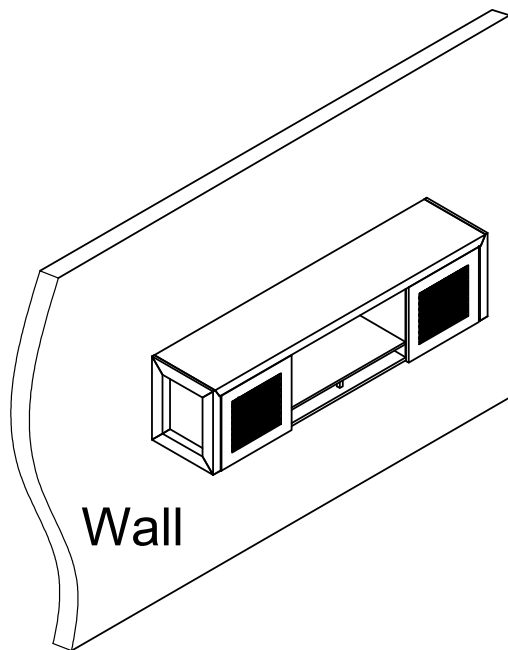


ⓧ Wall Mounting Board - 1pc

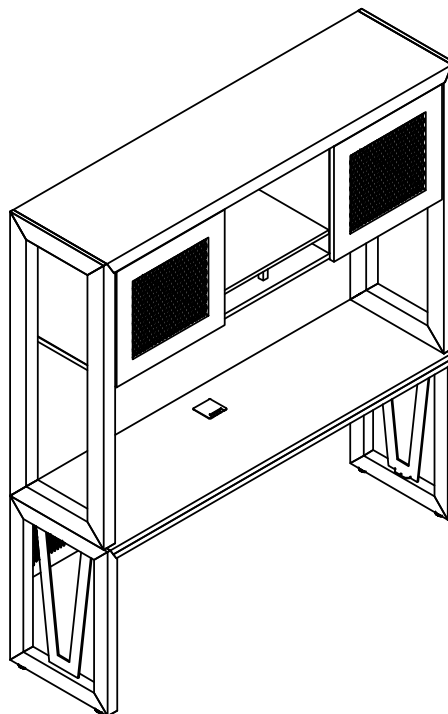


INSTRUCTIONS

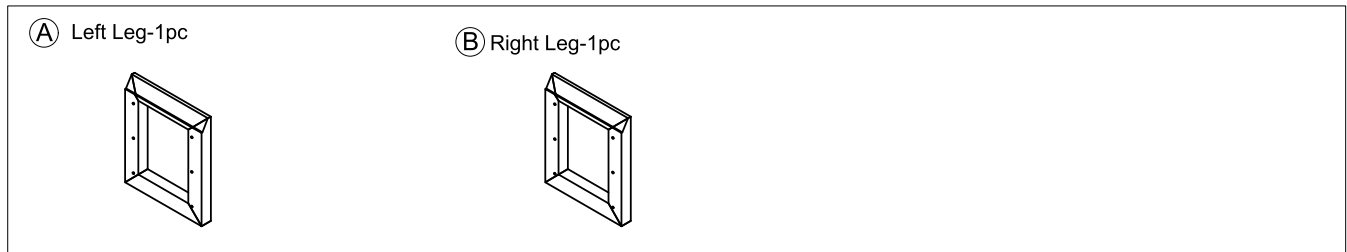
Wall Mounted Hutch



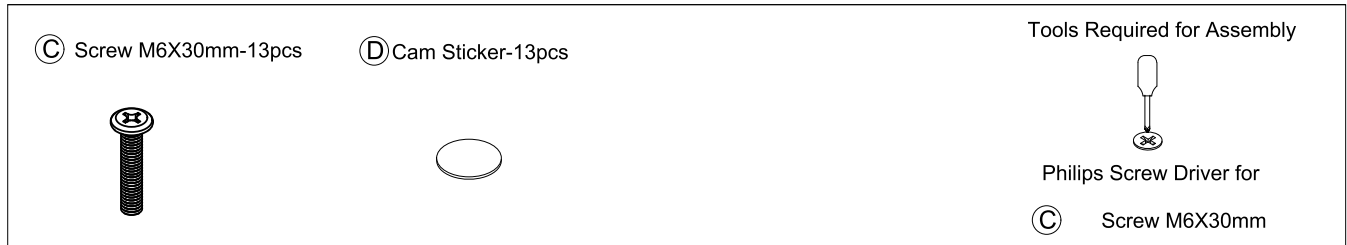
Credenza Hutch



COMPONENTS

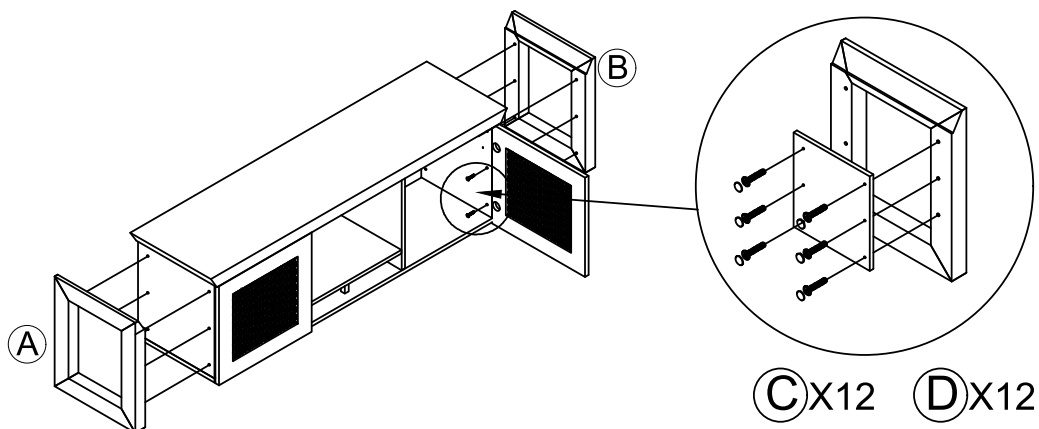


HARDWARE & TOOLS



INSTRUCTIONS - We don't recommend using power tools when installing Cam Posts.

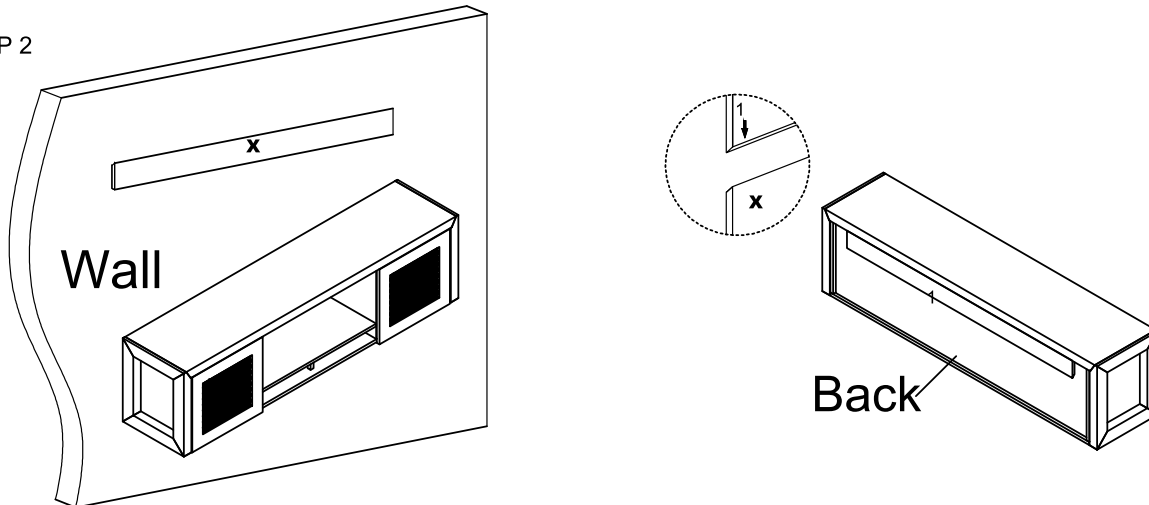
STEP 1



INSTRUCTIONS - We don't recommend using power tools when installing Cam Posts.

Wall Mounted Hutch

STEP 2



Mounting Board Installation - Due to the various wall construction methods, it is up to a professional installer to secure the Wall Mounting Board to the wall with the proper fasteners and/or anchors as required by the wall construction at the desired mounting location. NBF does not take responsibility for safe, proper fastening.

To Hang Cabinet - Position cabinet so that Mounting Board 1 is above Wall Mounting Board X and lower cabinet until Mounting Board 1 and Wall Mounting Board X lock together.

COMPLETED

