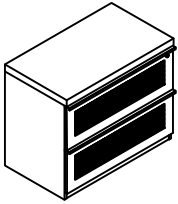




COMPONENTS

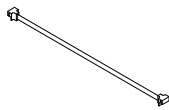
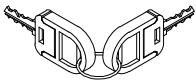
(A) Lateral File-1pc



HARDWARE & TOOLS

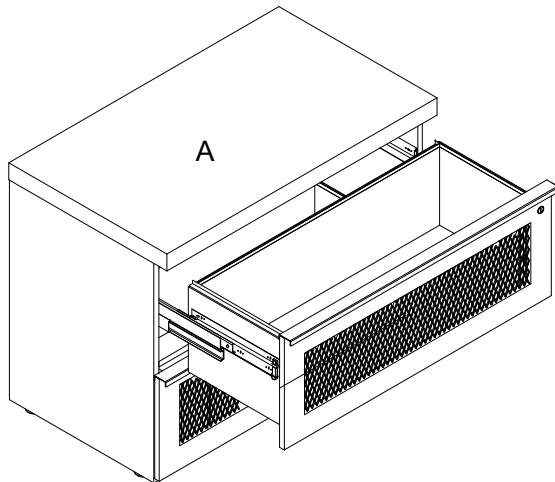
(B) Keys-1pc

(C) Legal Hanger Bar-4pcs

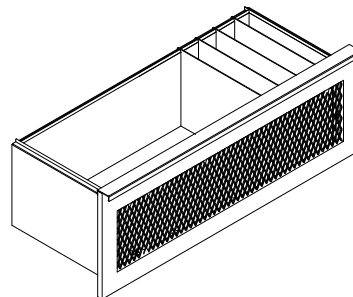


INSTRUCTIONS

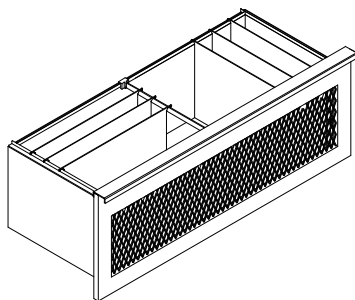
Note: Only open one drawer at a time.



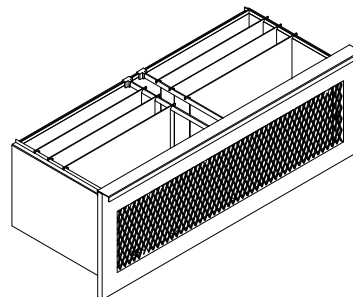
No filing bars required for Letter sized hanging folders.



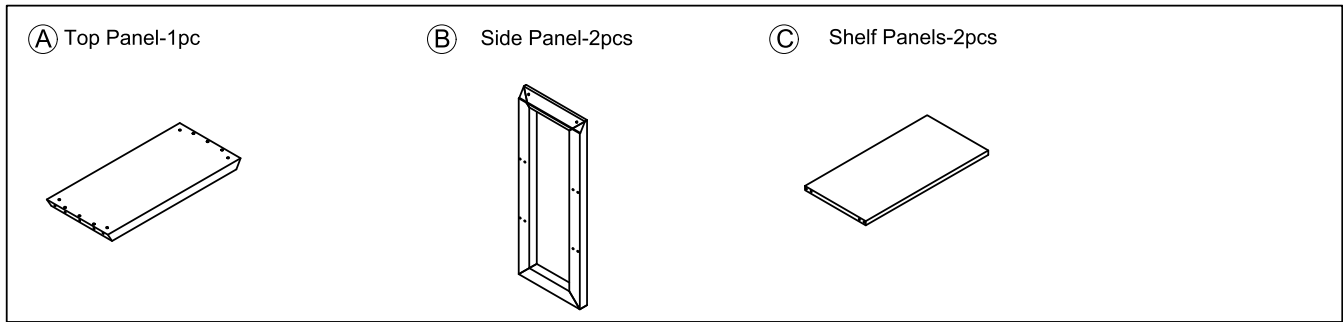
One filing bar for combination of Letter and Legal sized hanging folders.



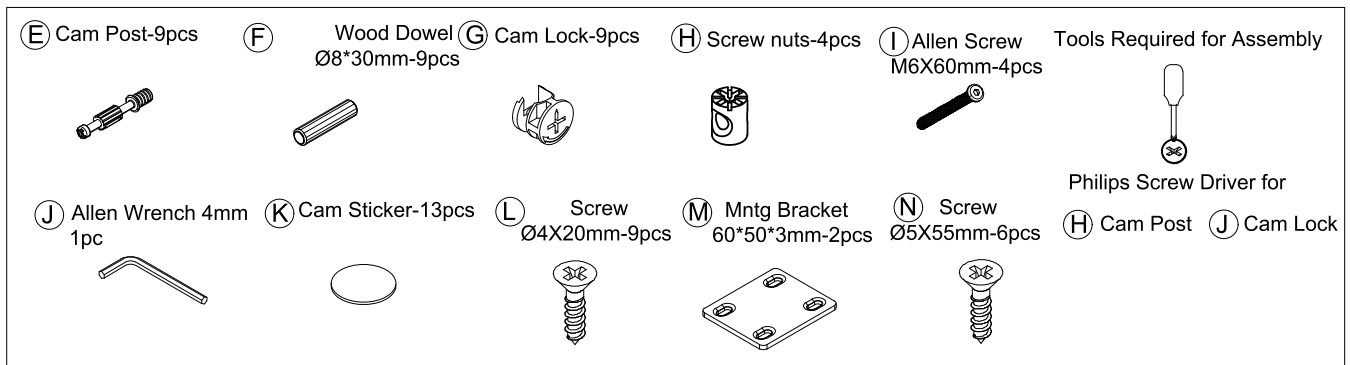
Two filing bars for Legal sized hanging folders.



COMPONENTS

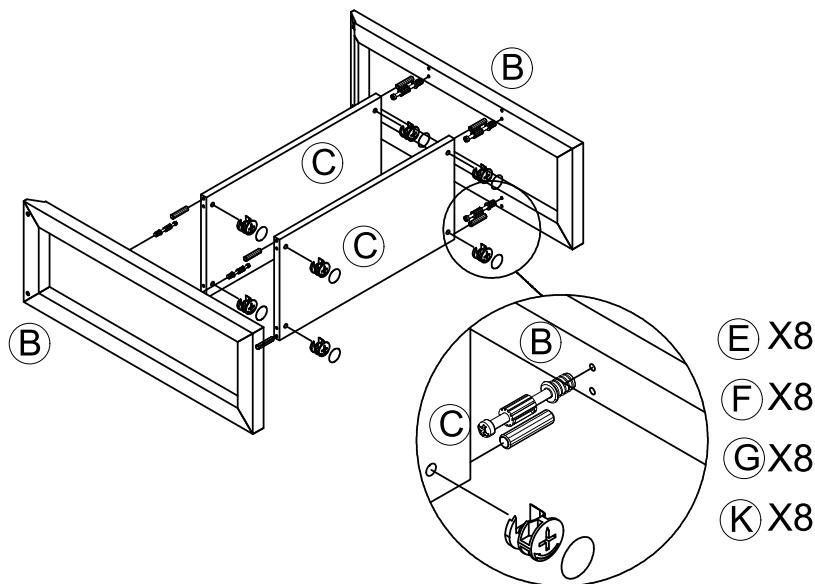


HARDWARE & TOOLS



INSTRUCTIONS - We don't recommend using power tools when installing Cam Posts.

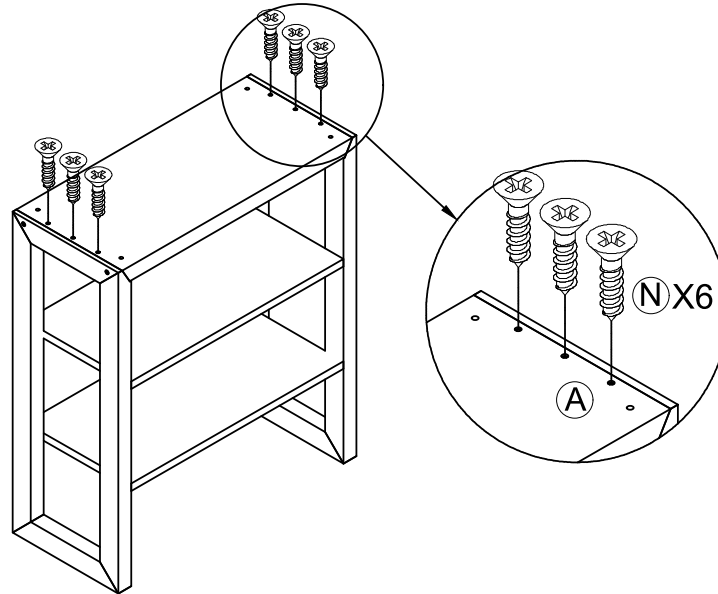
STEP 1



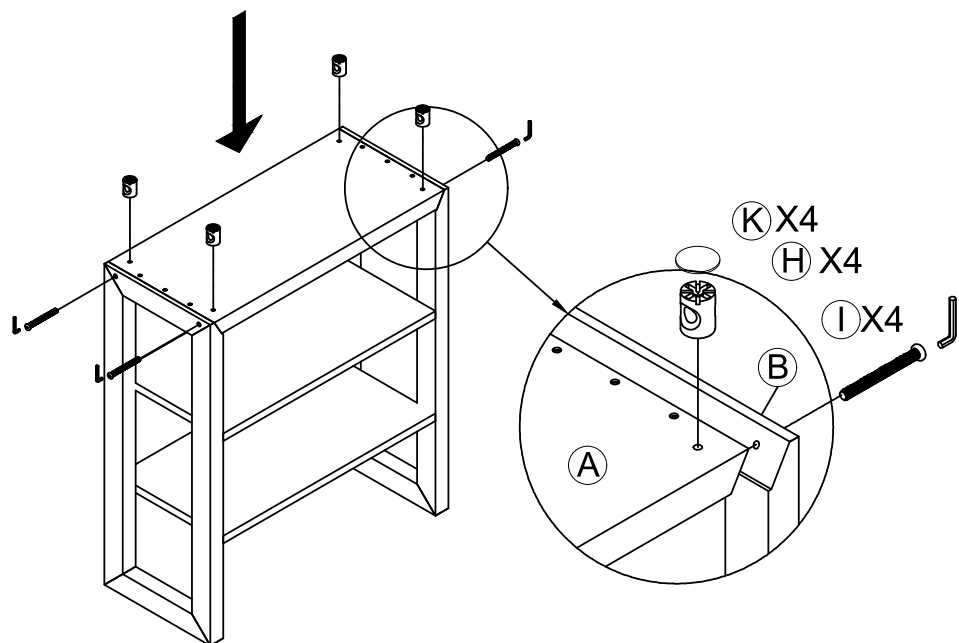


INSTRUCTIONS

STEP 2

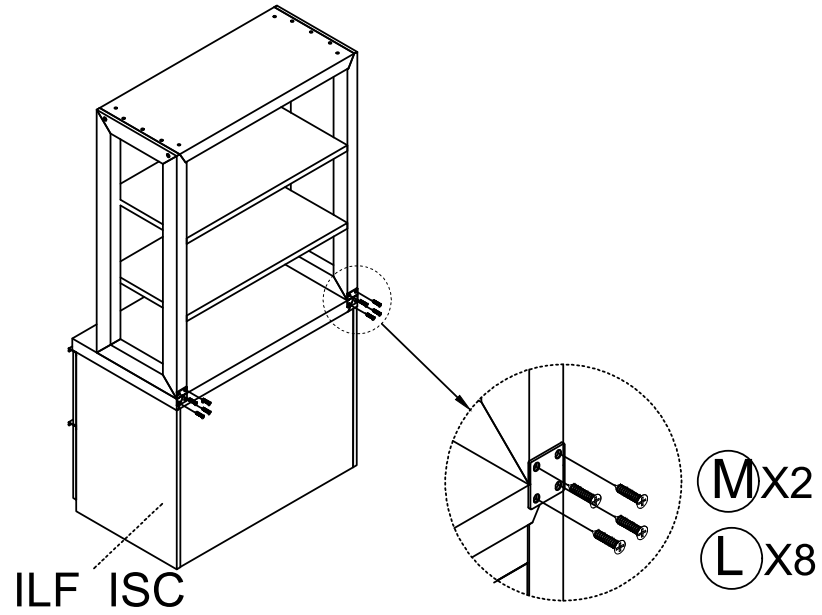


STEP 3



INSTRUCTIONS

STEP 4



COMPLETED

