

MARTIN®

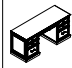
FURNITURE


SET-UP INSTRUCTIONS FOR ITEM

IMSF689 - COMPUTER CRENDENZA

info@martinfurniture.com

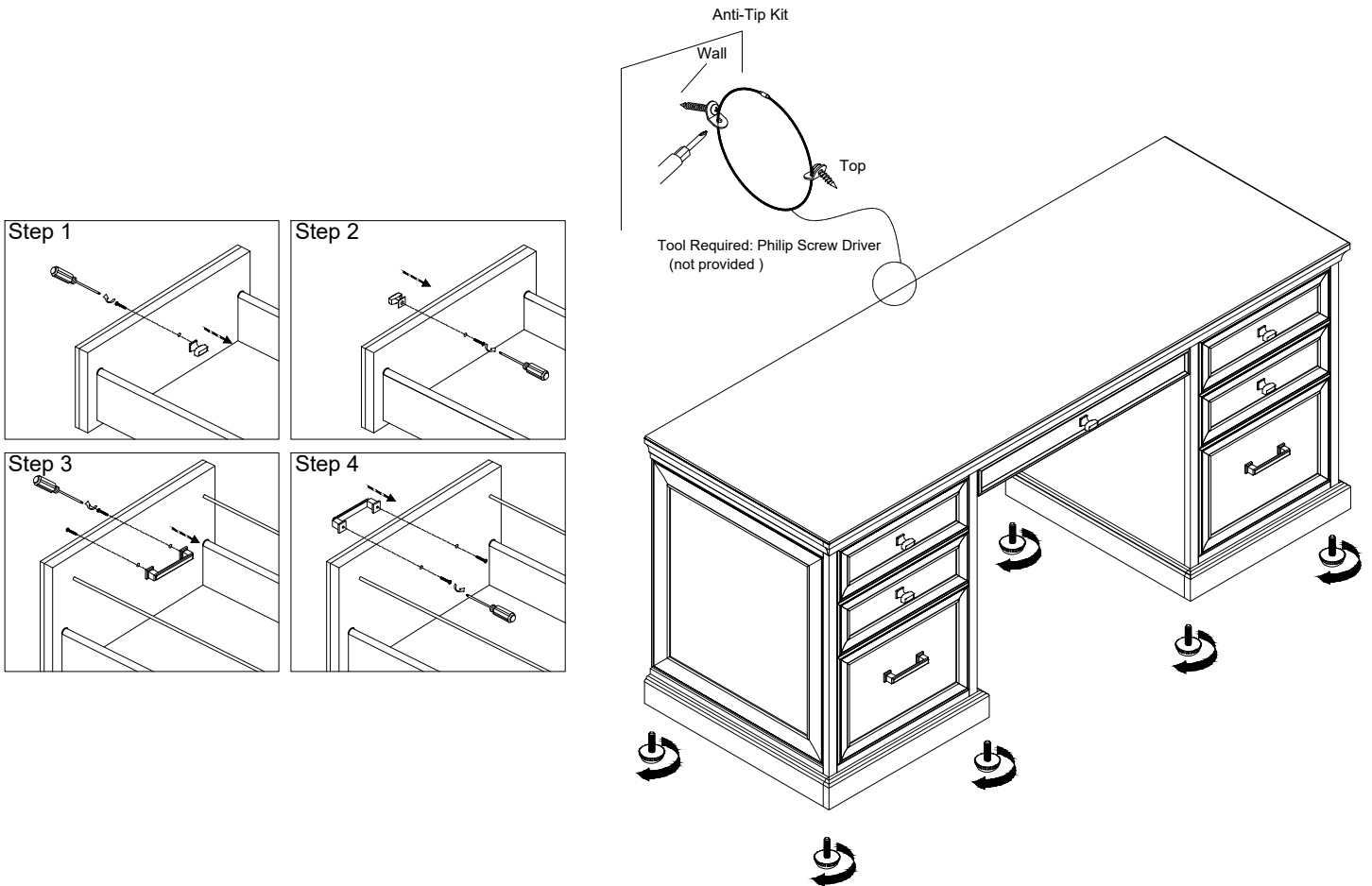
619-671-5100

No:	Part List	QTY
A	 Computer credenza	1 PC

No:	Hardware List	QTY
1	 Anti-Tip Hardware Kit	1 SET

Tool Required: Philip Screw Driver
(not provided)

Caution: Please read all instructions before assembly and check the carton for any parts that may have come loose during shipment. It is recommended to use two or more people during the assembly process.



Anti-tip hardware kit (1) must always be used to prevent the case from tipping.
Attach anti-tip restraint at top of the credenza inline to meet attachment on wall.
Screw anti-tip into wall stud or use appropriate anchor for the type of wall if not drywall.
Adjust levelers if needed.

WARRANTY PROTECTION

Please register your product at MartinFurniture.com. You'll find the warranty link on the bottom of the Home Page

CARING FOR YOUR FURNITURE

- Use a soft, clean cloth that will not scratch the surface when dusting.
- Use of furniture polishes are not necessary. Should you choose to use polishes, test in an inconspicuous area first.
- Using solvents of any kind on your furniture may damage your furniture finish.
- Never use water to clean your furniture as it may cause damage to the finish.
- Always use coasters under beverage glasses and flowerpots.
- Liquid spills should be removed immediately. Use a soft, clean cloth, blot the spill gently. Avoid rubbing.
- Direct sunlight may damage wood finishes.
- Extreme temperature and humidity changes can cause warping, shrinking and splitting of wood furniture. It is best to keep furniture in a climate controlled environment.
- Always use protective pads under hot dishes and plates. Heat can cause chemical changes that may create spotting within the furniture finish.
- In the event that your furniture is stained or otherwise damaged during use, we recommend that you call a professional to repair your furniture.