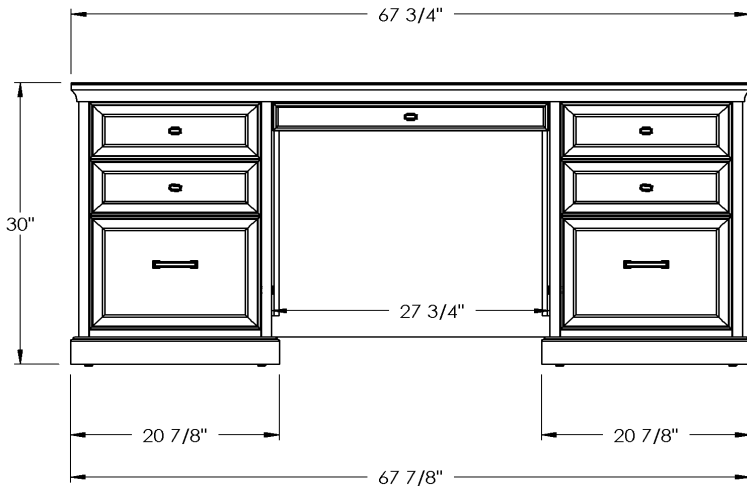
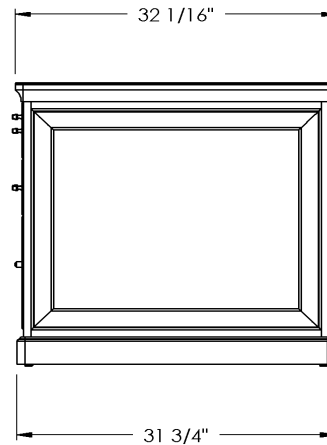


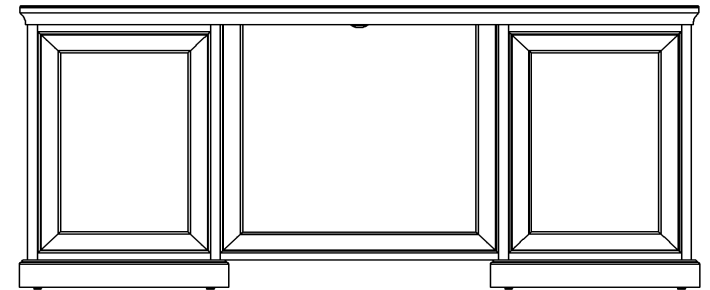
VISTA ISOMETRICA



FRONT VIEW



SIDE VIEW



BACK VIEW