



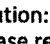
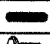


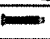
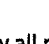
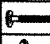
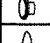

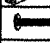




DIVIDER SETUP INSTRUCTIONS

| No: | Hardware List | Qty |
|-----|--|-----|
| 1 |  BOTTOM MESH PANEL | 1 |
| 2 |  MIDDLE BOARD PANEL | 1 |
| 3 |  TOP ACRYLIC PANEL | 1 |
| 4 |  METAL LEG BRACKET | 2 |
| 5 |  SIDE RAIL | 2 |

| No: | Hardware List | Qty |
|-----|--|-----|
| A |  DOWEL 8MM X 30MM | 4 |
| B |  CAP CONNECTOR | 16 |
| C |  BOLT 30mm | 20 |
| D |  ALLEN WRENCH | 2 |
| E |  DRYWALL SCREW 1 1/2" | 10 |

| No: | Hardware List | Qty |
|-----|--|-----|
| F |  BOLT 40mm | 2 |
| G |  PLASTIC CAP | 10 |
| H |  STICKER CAP | 18 |
| I |  BRACKET | 2 |
| J |  WASHER HEAD SCREW 1 1/4" | 2 |
| K |  1/2" FELP STRIP | 1 |

Caution:

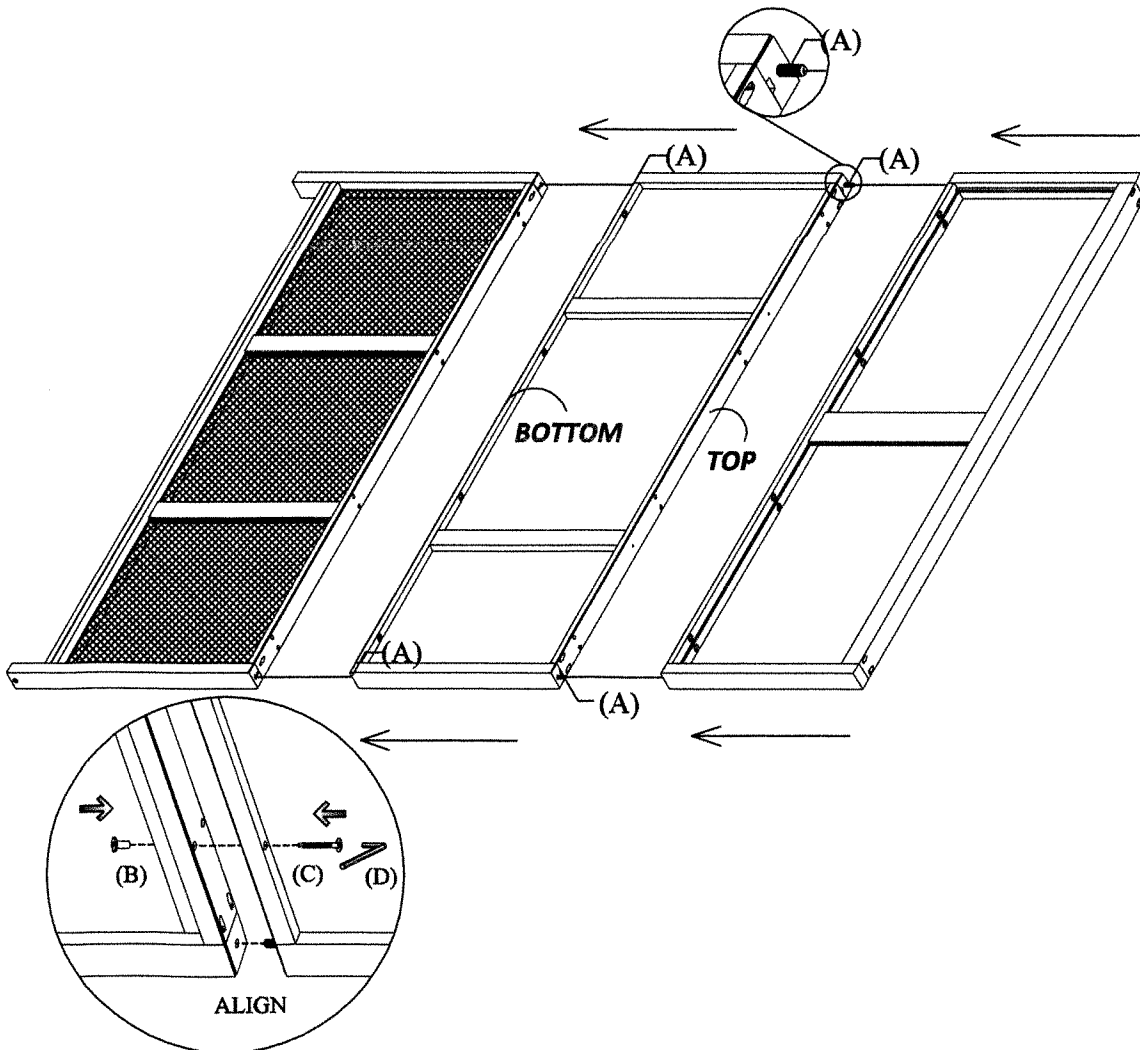
Please read all instructions before assembly and identify all parts that are inside the carton.

It is recommended to use two people during the assembly process.

STABILITY WARNING: although this unit may be utilized in a free standing position (unit complies with 10degree tilt as defined by ANSI/BIFMA X5.6-2016), it is most stable when connected to a desk unit with the supplied brackets. (see STEPS 6&7)

INSTRUCTIONS:

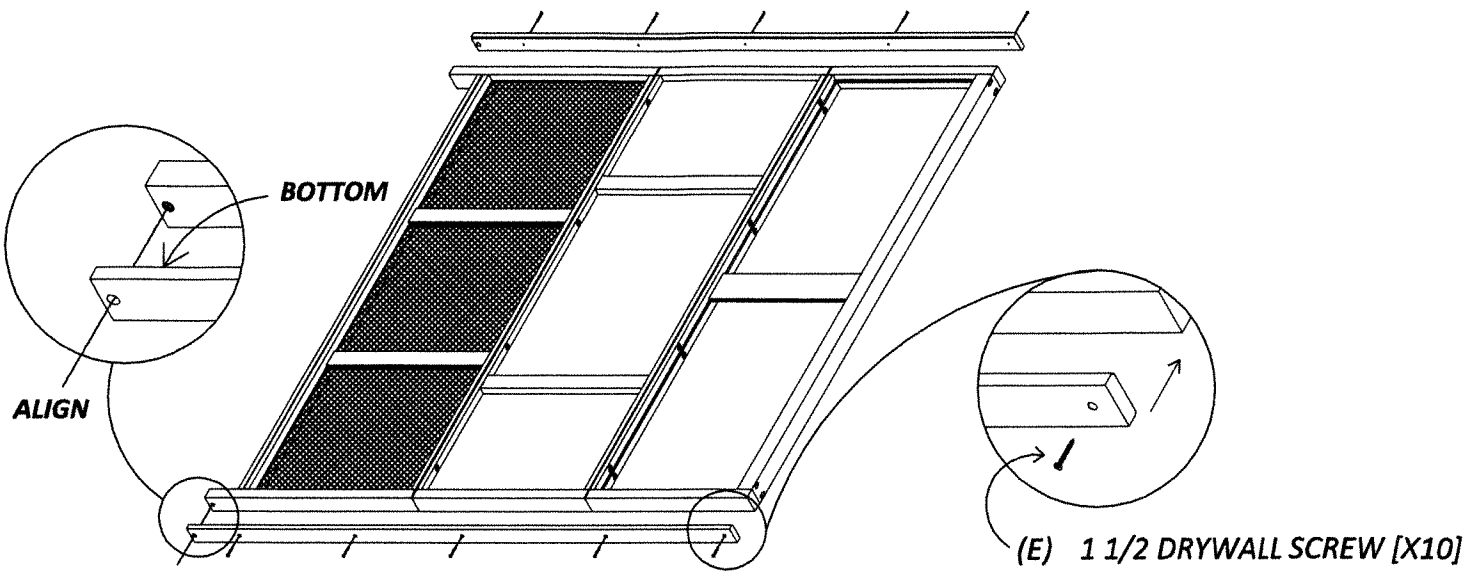
- STEP 1 Lay the three panels (#1, #2, #3) on a protected surface, Insert dowels (A) into the four alignment holes on the center panel, slide together
 STEP 2 Connect the three panels using eight of the Connector Caps (B) and eight of the 30mm KD Bolts (C) using the supplied 4mm Allen Wrench (D)



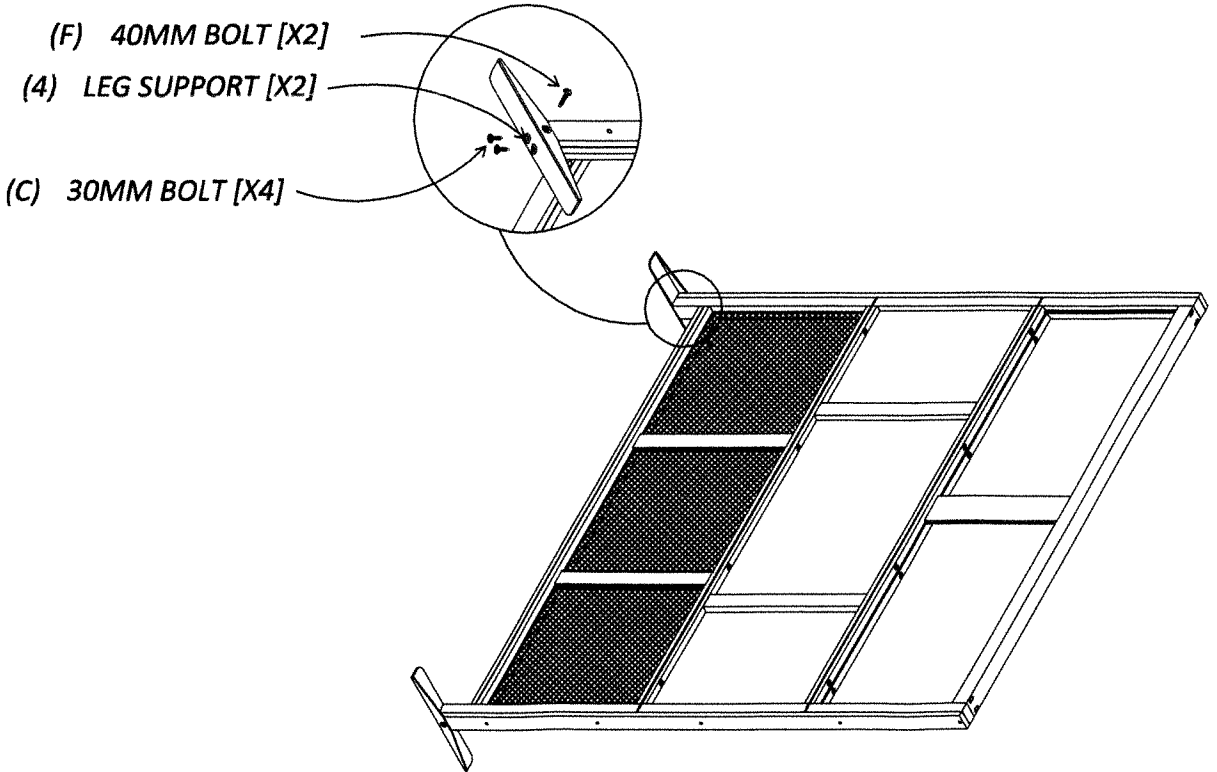
DIVIDER SETUP INSTRUCTIONS

STEP 3 Align the side rails (#5) following the "BOTTOM" indicators and secure with ten #6 x 1-1/2" drywall screws(E) [Phillips screw gun required]

ALIGN POST [X2] TO SIDES OF DIVIDER.



STEP 4 With an assistant lift up the screen from the bottom and attach the two Leg Support Brackets (#4) with four 30mm KD Bolts (C) through the bottom of the bracket and two 40mm KD Bolts (F) through the side of the Leg Support Bracket. Apply option FELT (K) to protect Flooring.



DIVIDER SETUP INSTRUCTIONS

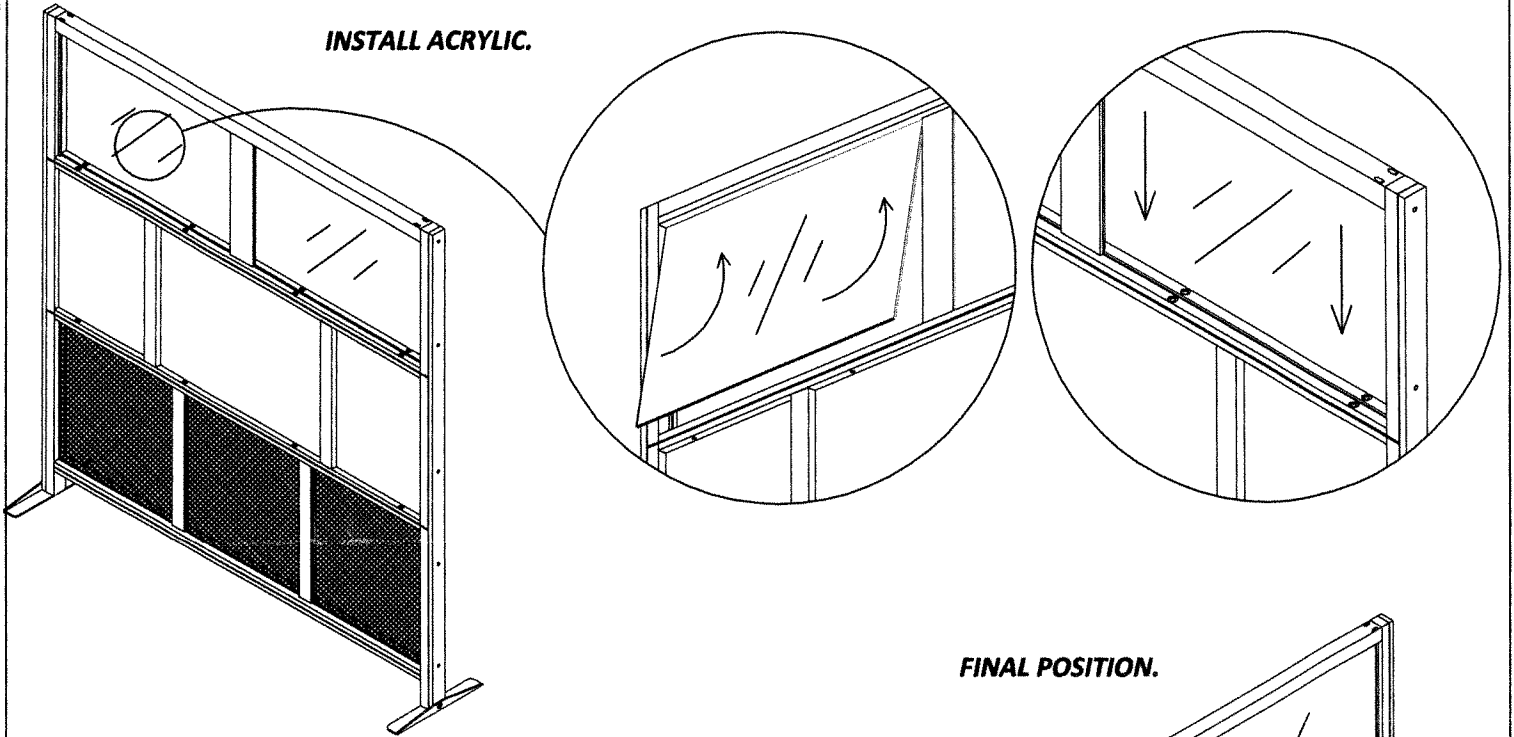
STEP 5 With an assistant lift divider into it upright position, Secure the remaining side with eight Connector Caps (B) and eight 30mm KD Bolts (C) using the supplied 4mm Allen Wrench (D).

Add the Plastic Caps (G) to the Vertical Side Post and the FASTCAP stickers (H) to the heads of the KD bolts on the Horizontal Rails.

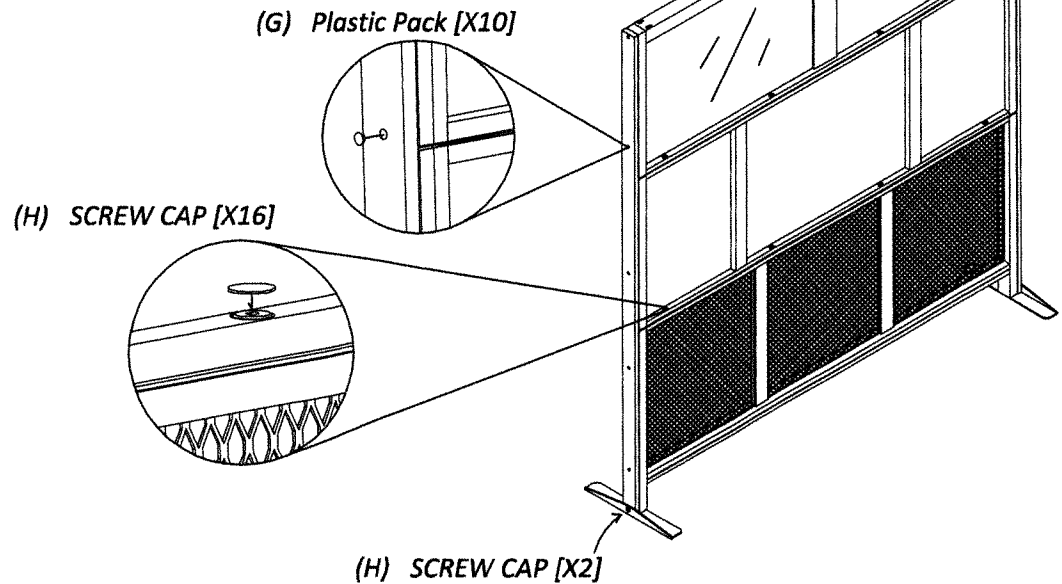
Remove protective film and Install two Acrylic Panels (#3) by sliding into the Upper Groove and lowering into Lower Groove.

Move into final position.

INSTALL ACRYLIC.



FINAL POSITION.

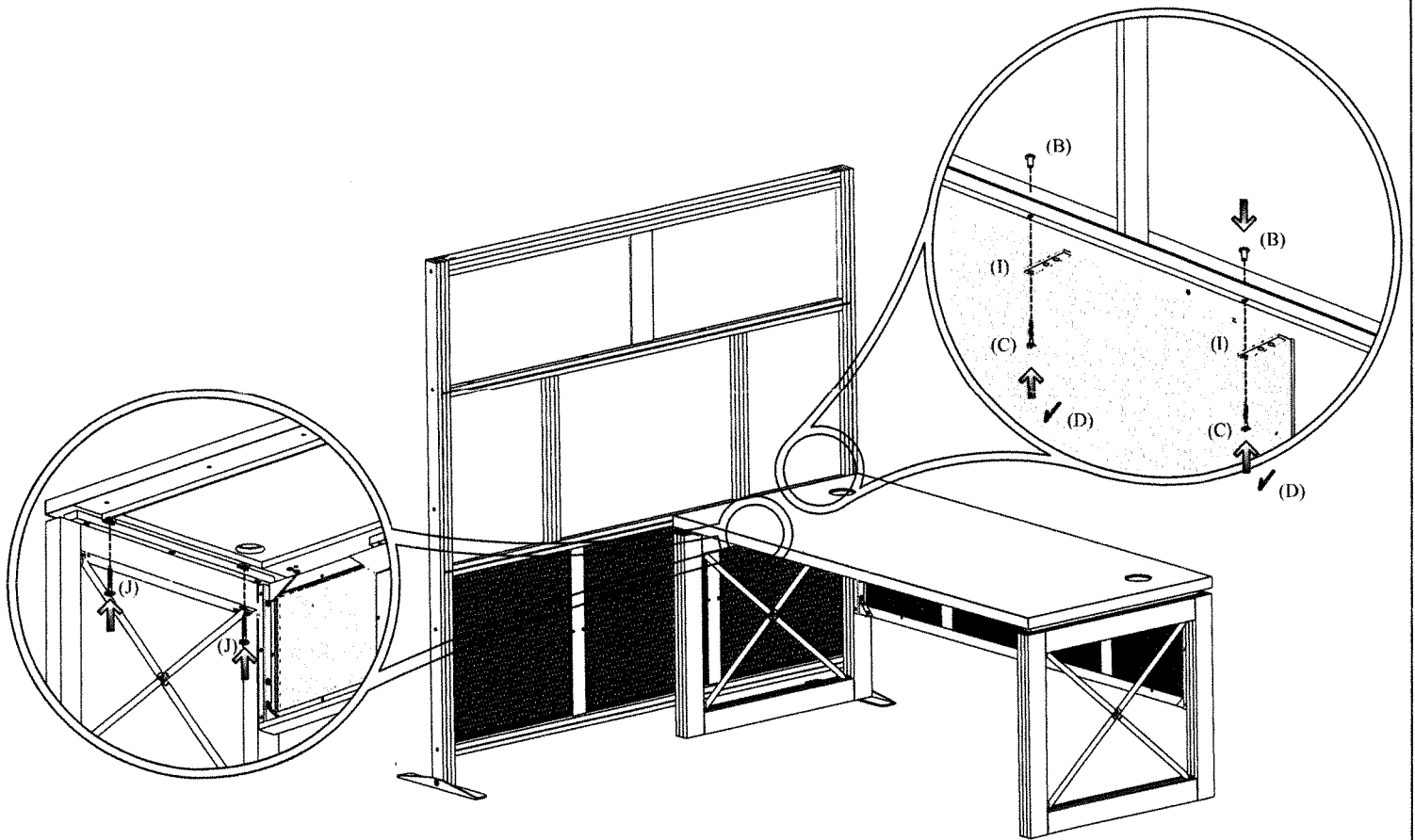


DIVIDER SETUP INSTRUCTIONS

STABILITY WARNING: although this unit may be utilized in a free standing position (unit complies with 10degree tilt as defined by ANSI/BIFMA X5.6-2016), it is most stable when connected to a desk unit with the supplied brackets. (see STEPS 6&7)

STEP 6 Attach brackets (I) to the lower side of the rail to the appropriate location where you wish to position your desk(s).

STEP 7 Position Desk and connect bracket to the underside of desk with one washer head screw 6 x 1 1/4" (J) through each of the brackets.



CARING FOR YOUR FURNITURE:

- * Use a soft, clean cloth that not scratch the surface when dusting
- * Use of furniture polishes are not necessary. Should you choose to use polishes, test in an inconspicuous area first.
- * Using solvents of any kind on your furniture may damage your furniture finish.
- * Never use water to clean your furniture as it may cause damage to the finish.
- * Always use coasters under beverage glasses and flowerpots.
- * Liquid spills should be removed immediately. Use a soft, clean cloth, blot the spill gently. Avoid rubbing.
- * Direct sunlight may damage wood finishes.
- * Extreme temperature and humidity changes can cause warping, shrinking and splitting of wood furniture. It is best to keep furniture in a climate controlled environment.
- * Always use protective pads under hot dishes and plates. Heat can cause chemical changes that may create spotting within the furniture finish.
- * In the event that your furniture is stained or otherwise damaged during use, we recommend that you call a professional to repair your furniture.