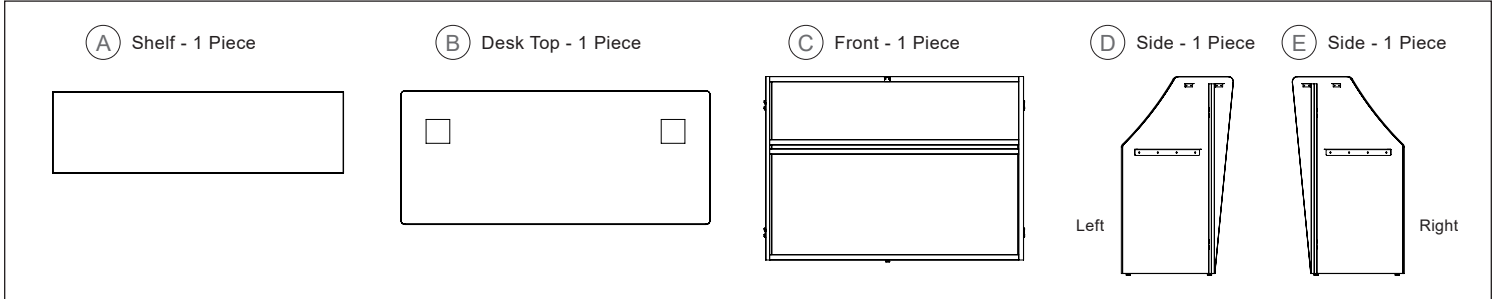
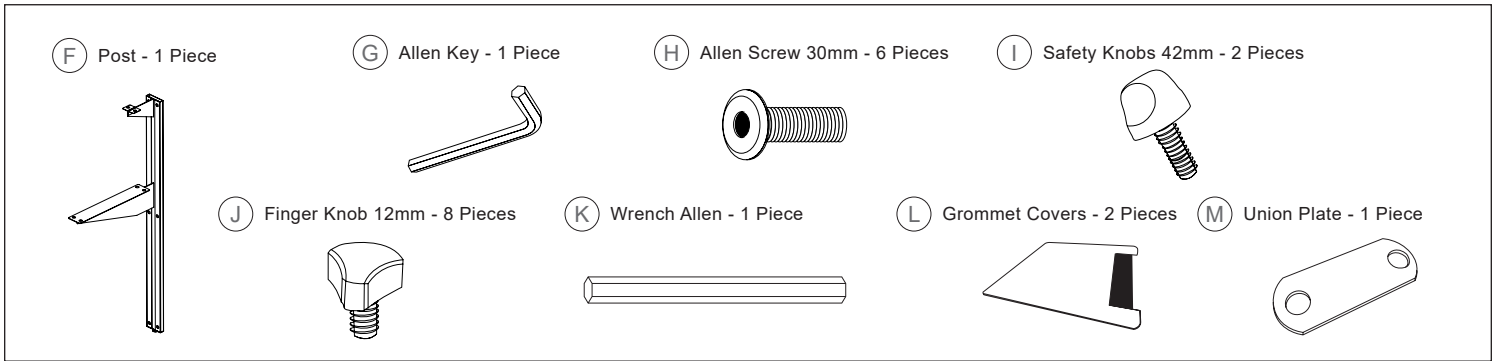


Congratulations on the purchase of your new *Signature Series* product!

COMPONENTS



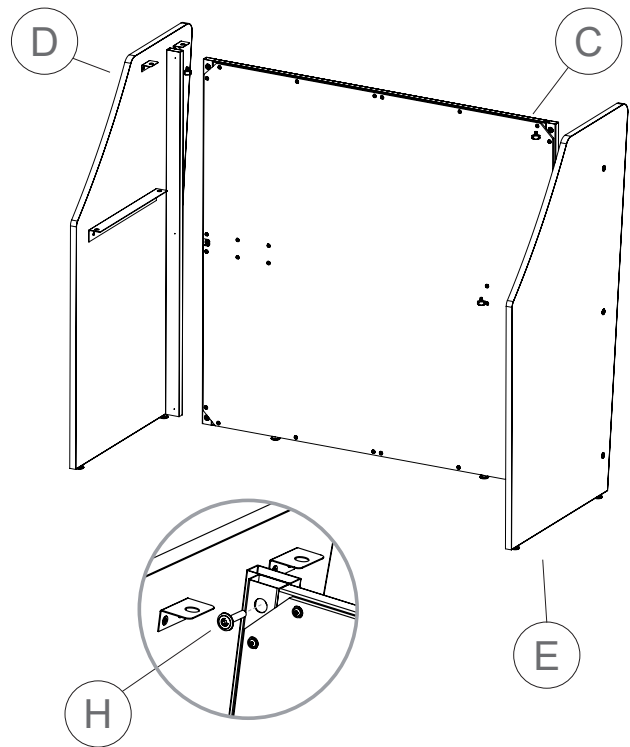
HARDWARE & TOOLS



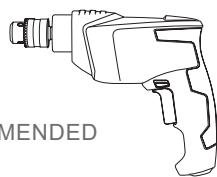
INSTRUCTIONS

STEP 1

Assemble the left side panel **(D)** and the right side panel **(E)** with the front panel **(C)** using the Allen screws **(H)** in upper corner, middle and bottom corner of the front panel **(C)**.



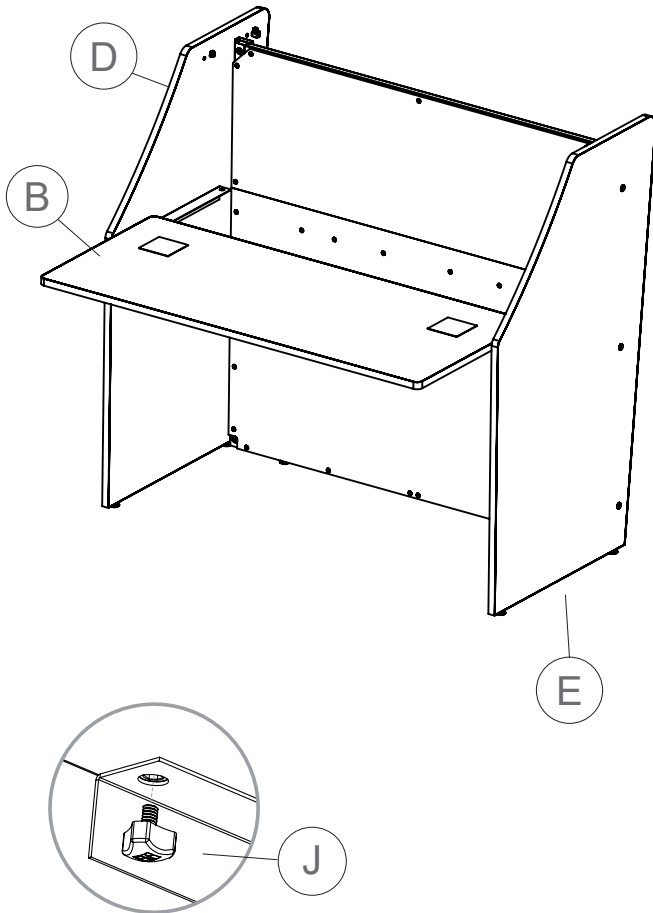
DRILL RECOMMENDED



Congratulations on the purchase of your new *Signature Series* product!

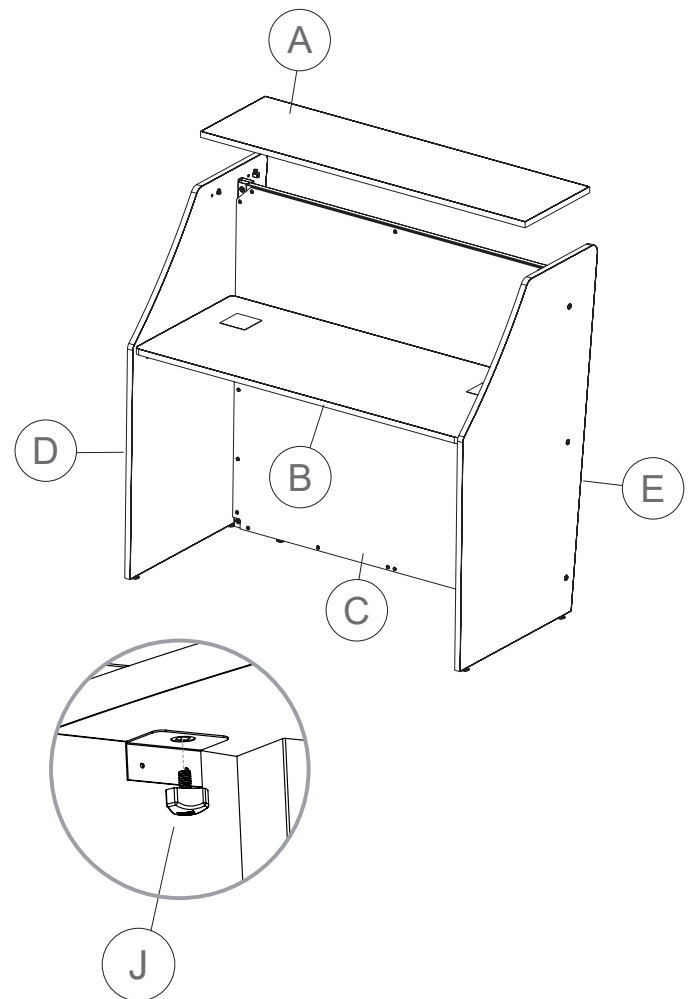
INSTRUCTIONS

STEP 2



Insert the Desk Top (B) and secure to the Side Panels (D) & (E) using Finger Knobs (J).

STEP 3



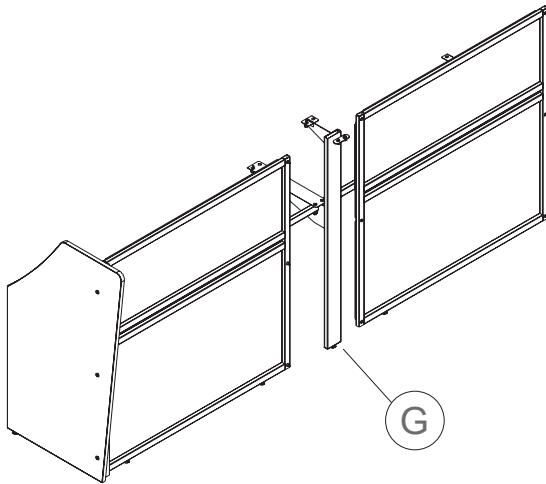
Place the shelf (A) on the top of the side panels (D) & (E) and the Front (C) and secure using Finger Knobs (J).

Congratulations on the purchase of your new *Signature Series* product!

INSTRUCTIONS

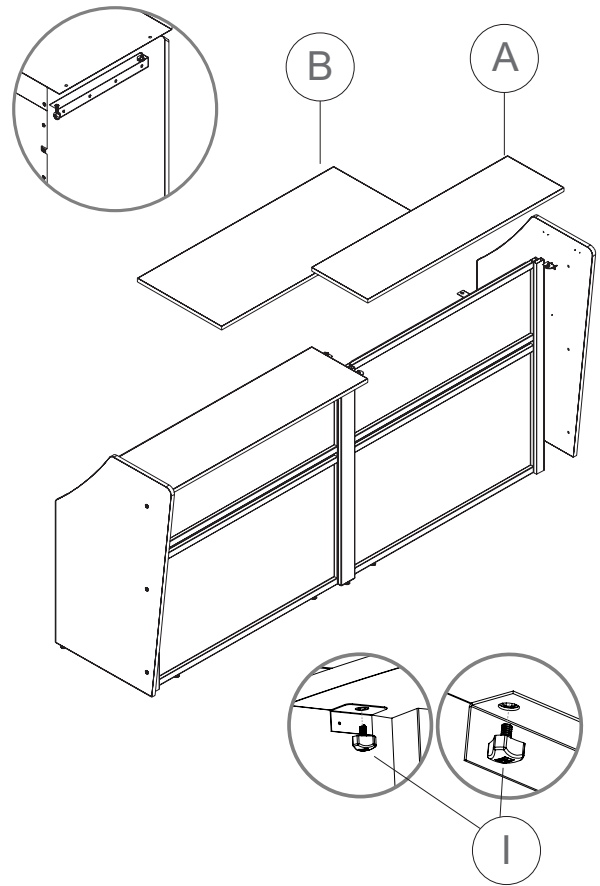
STEP 1

Steps to ensamble with another Straight Reception



Remove a Side and attach the post (G) with screws (I) with help of allen wrench (K) on the structure.

STEP 2

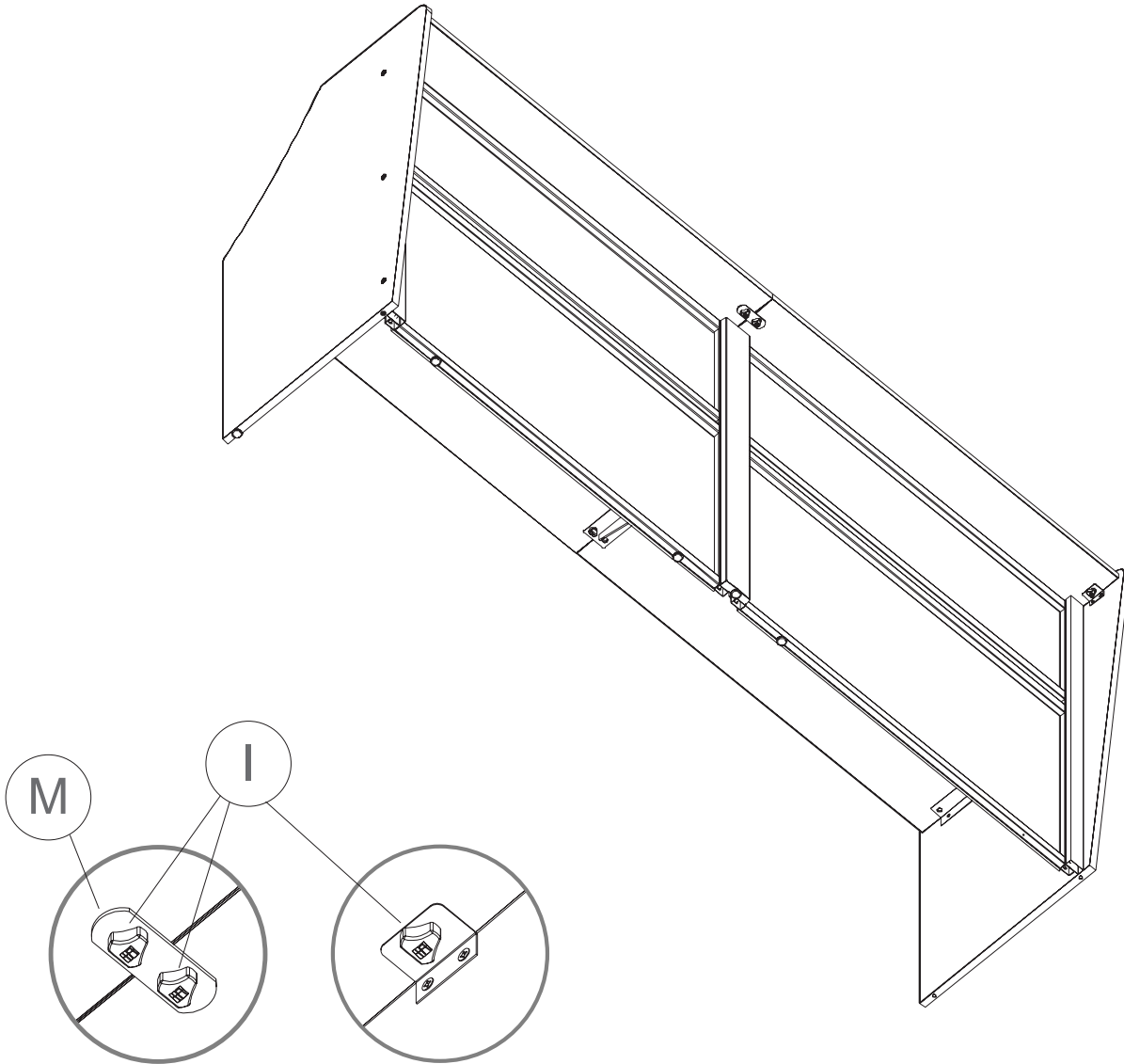


Place the cover (A) & Desk Top (B) in the structure and Secure them with Safety Knobs (I).

Congratulations on the purchase of your new *Signature Series* product!

INSTRUCTIONS

STEP 3



Put the union plate (M) between the covers and secure them with Finger Knobs (I).