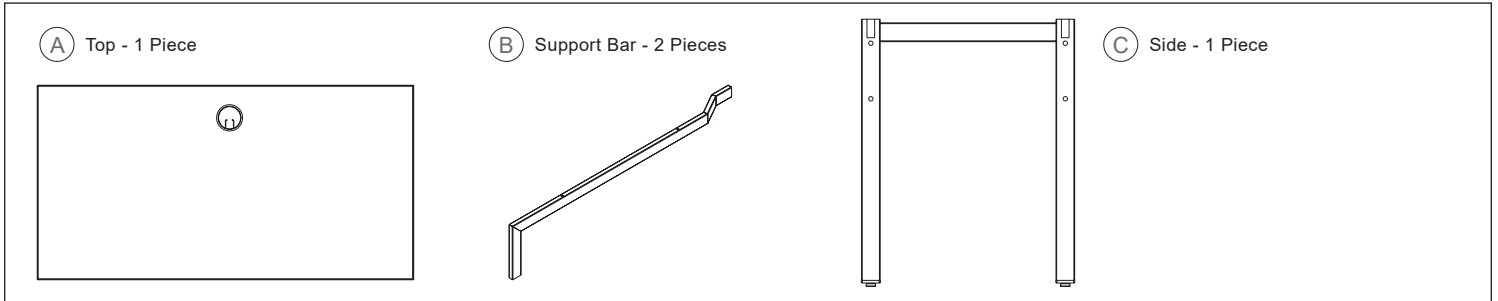
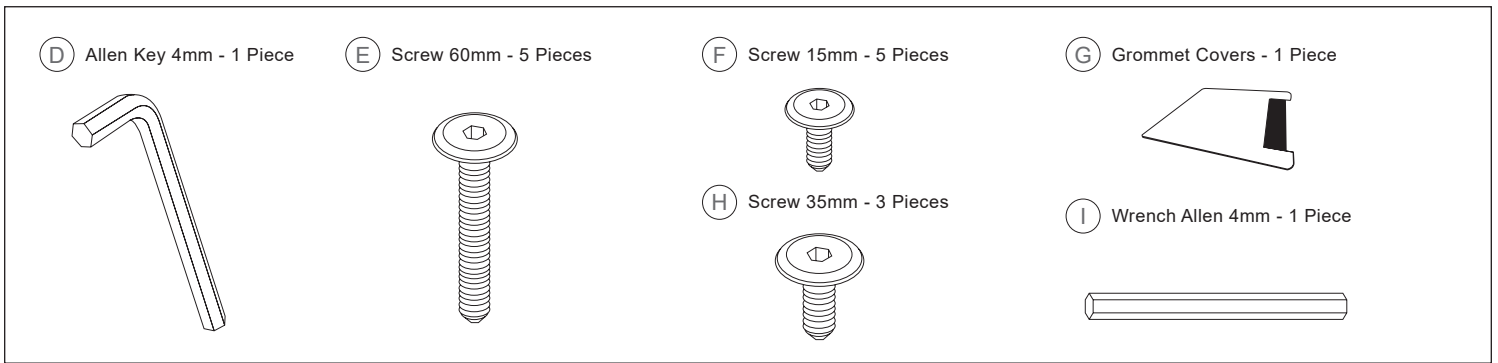


Congratulations on the purchase of your new *Signature Series* product!

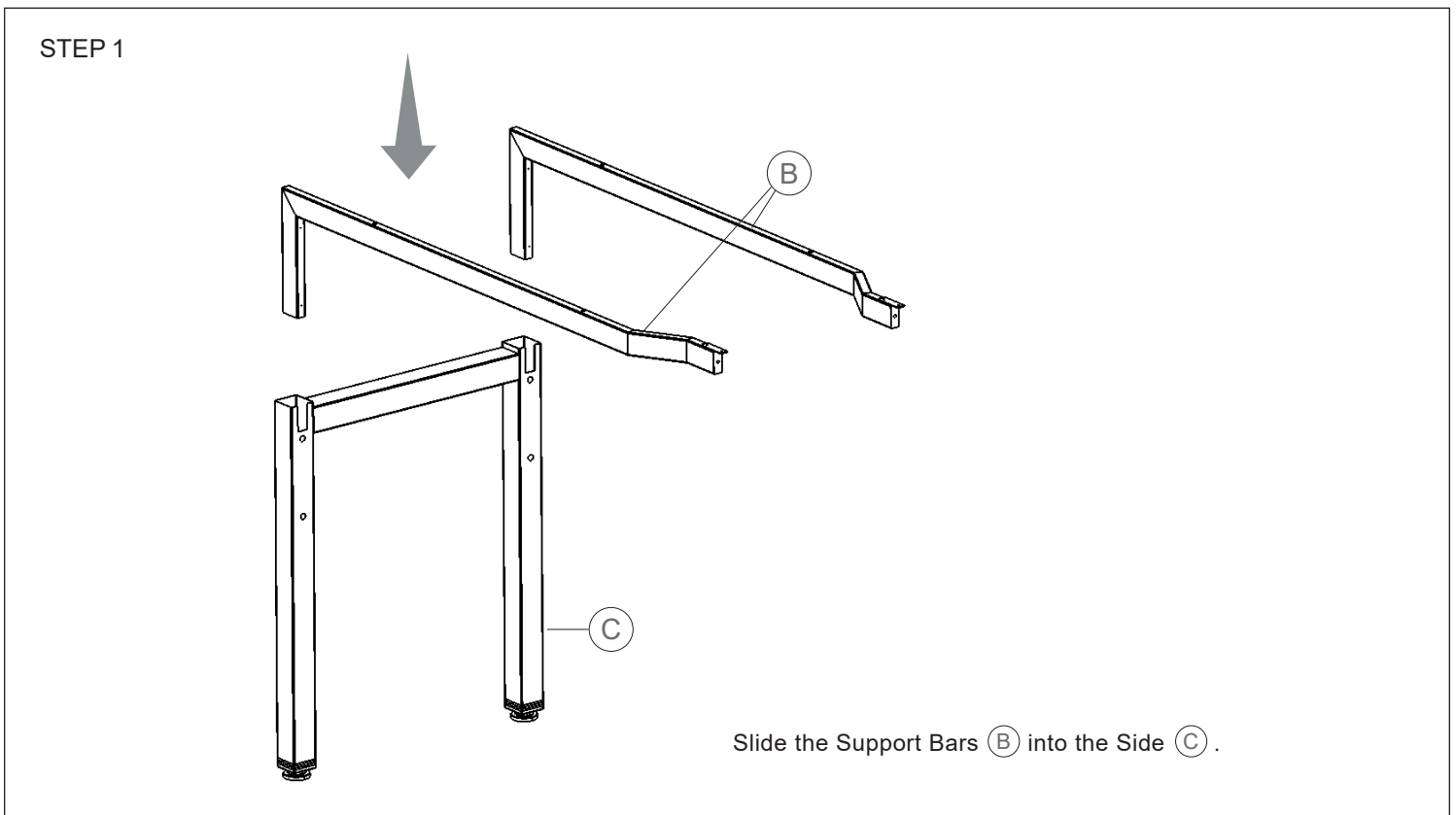
COMPONENTS



HARDWARE & TOOLS



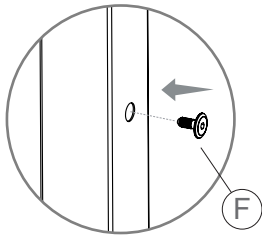
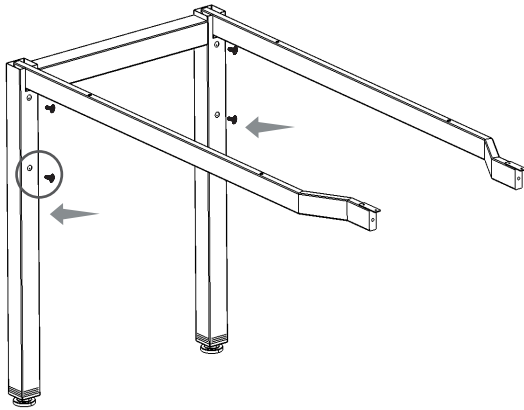
INSTRUCTIONS



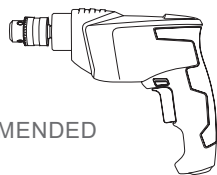
Congratulations on the purchase of your new *Signature Series* product!

INSTRUCTIONS

STEP 2

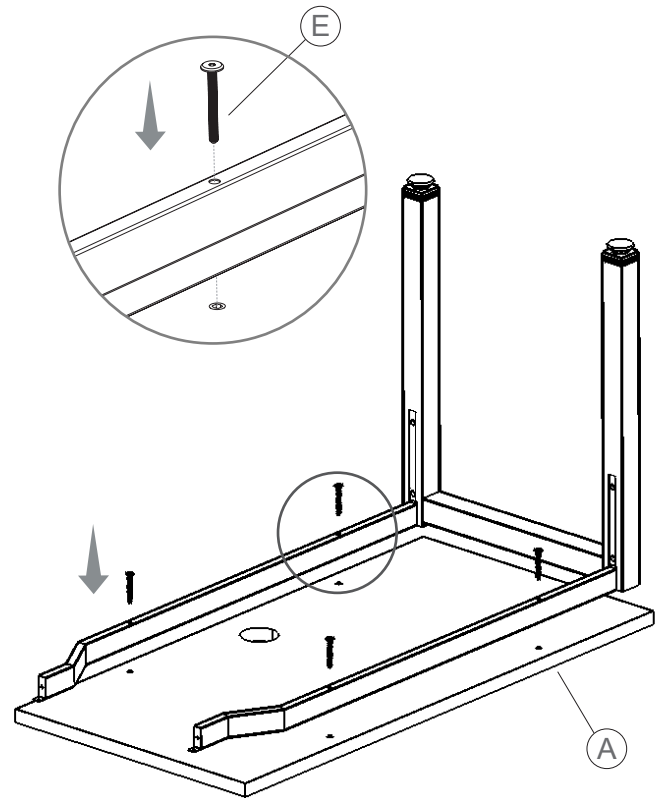


Fasten Support Bars (B) to Side (C) using
Screws (F) and Allen Key (D).



DRILL RECOMMENDED

STEP 3



Put the cover (A) on the structure.
Fix with the screws (E) using the Allen Key (D).

Congratulations on the purchase of your new *Signature Series* product!

INSTRUCTIONS

STEP 4

Once the return is assembled, align the inserts in the support bars with the slots in the desk.

Fasten with Screws (H) using the Allen key (D).

