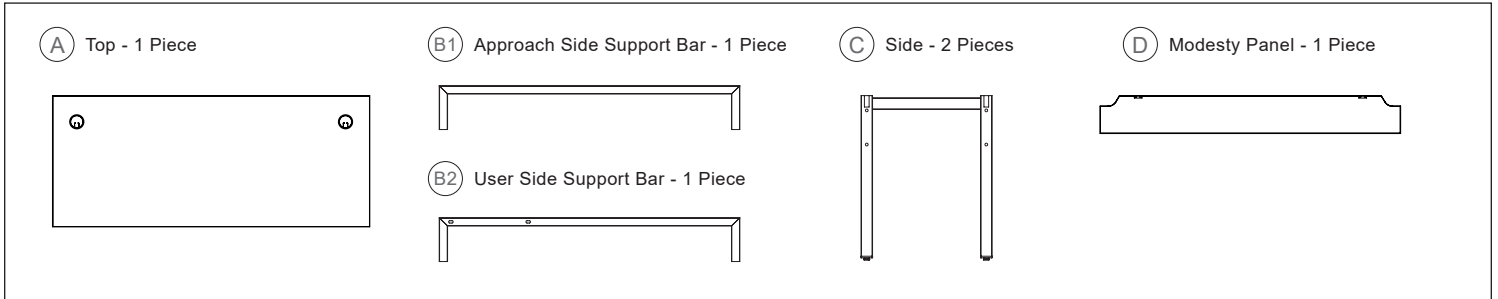
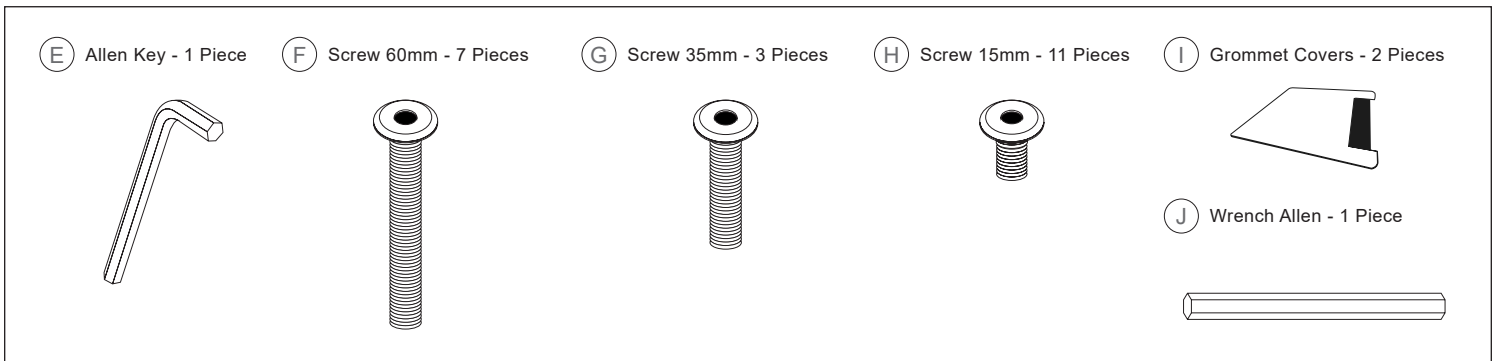


Congratulations on the purchase of your new *Signature Series* product!

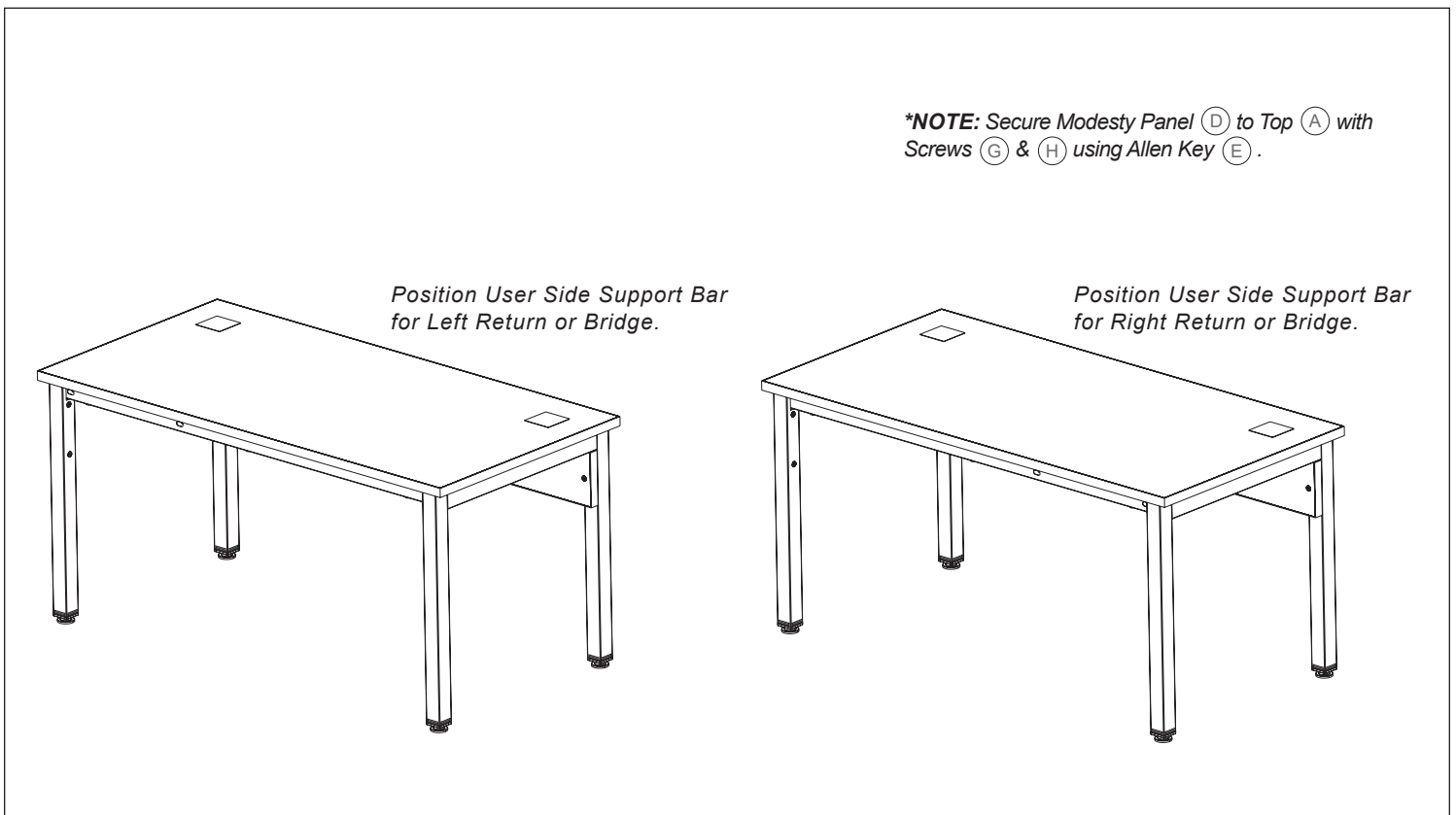
COMPONENTS



HARDWARE & TOOLS



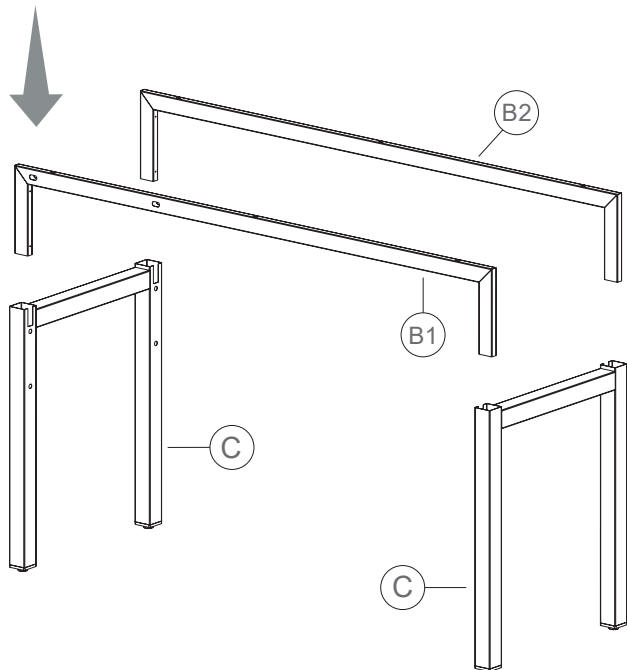
INSTRUCTIONS



Congratulations on the purchase of your new *Signature Series* product!

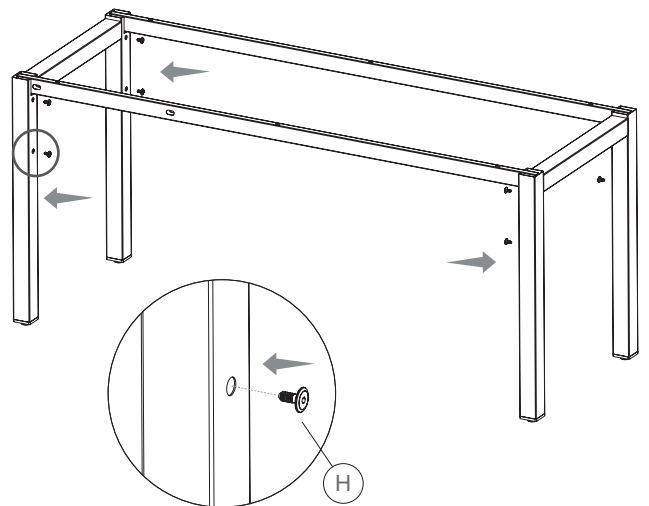
INSTRUCTIONS

STEP 1

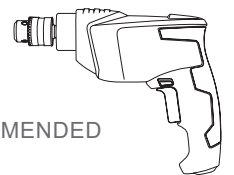


Slide Support bars (B1) & (B2) into Sides (C) .

STEP 2



Put the screws (H) in the inserts of the sides.



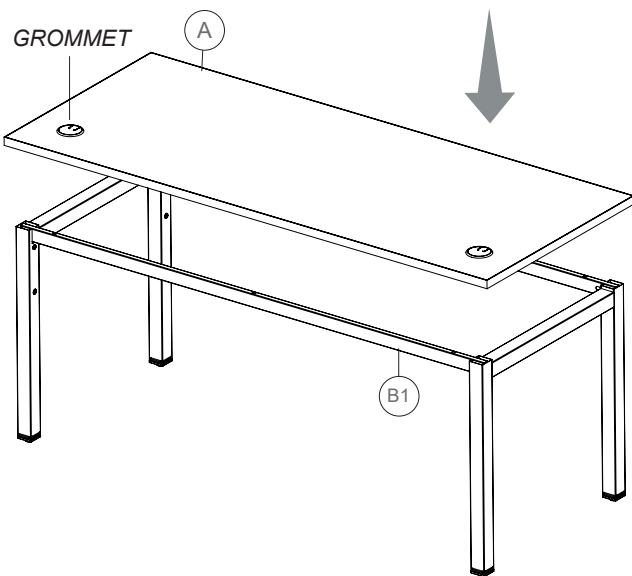
DRILL RECOMMENDED

Congratulations on the purchase of your new *Signature Series* product!

INSTRUCTIONS

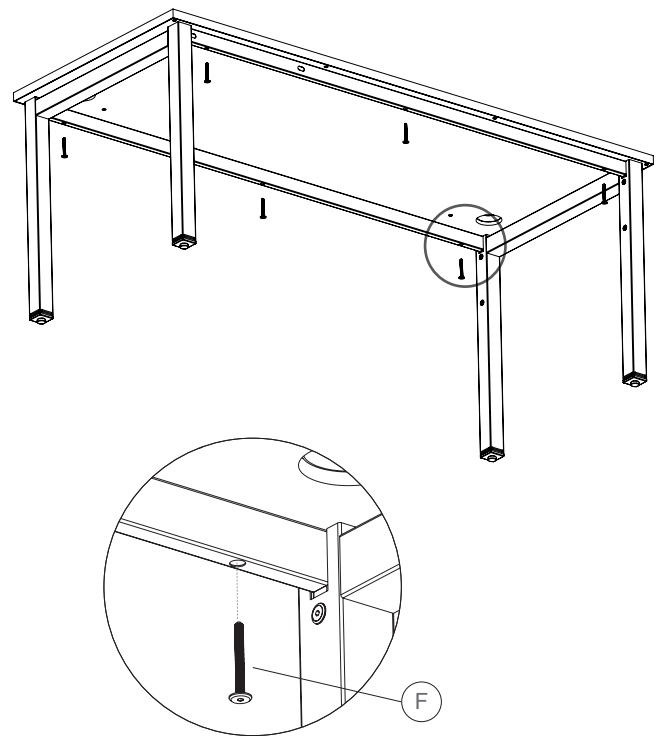
STEP 3

***NOTE: THE TOP MUST HAVE THE GROMMET
IN DIRECTION TO THE SUPPORT BAR (B1) .**



Place the top (A) on the structure.

STEP 4

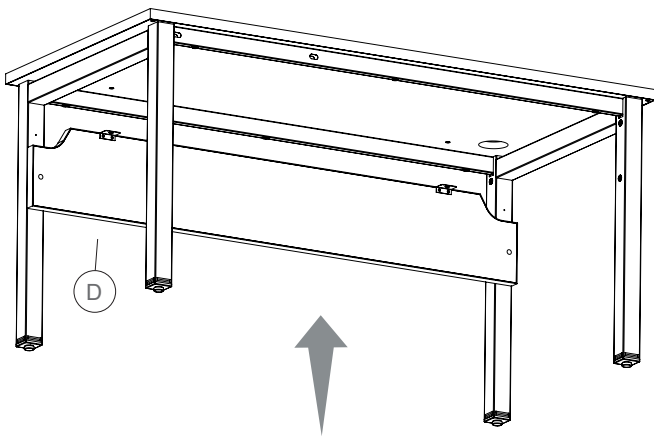


Fix with the screws (F) using the Allen Key (E) .

Congratulations on the purchase of your new *Signature Series* product!

INSTRUCTIONS

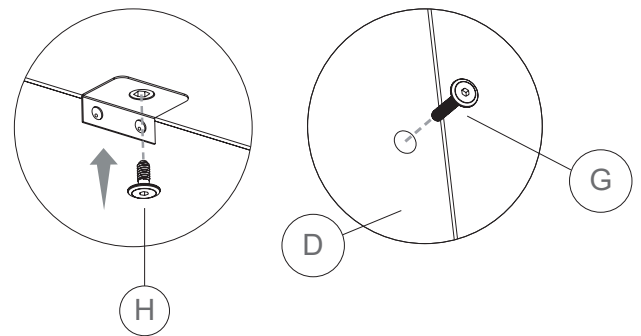
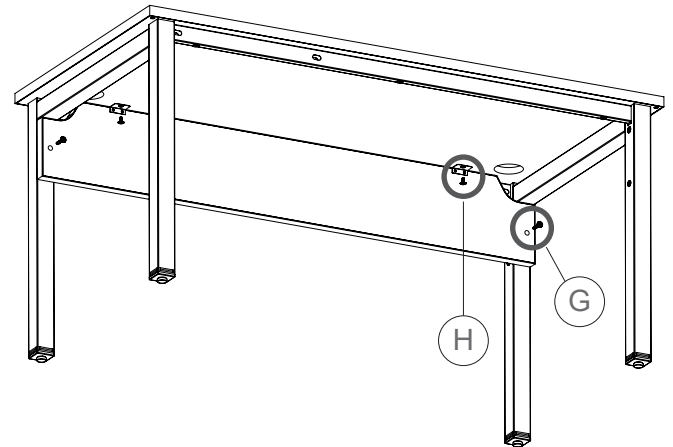
STEP 5



Position Modesty Panel (D) by aligning hole sin the brackets with threaded inserts in underside of Top (A) .

STEP 6

**NOTE: Before adjust the screws, center the front. Once the front were in place, adjust the screws in the front and sides.*



Secure Modesty Panel (D) to Top (A) with Screws (G) & (H) using the Allen Key (E) .