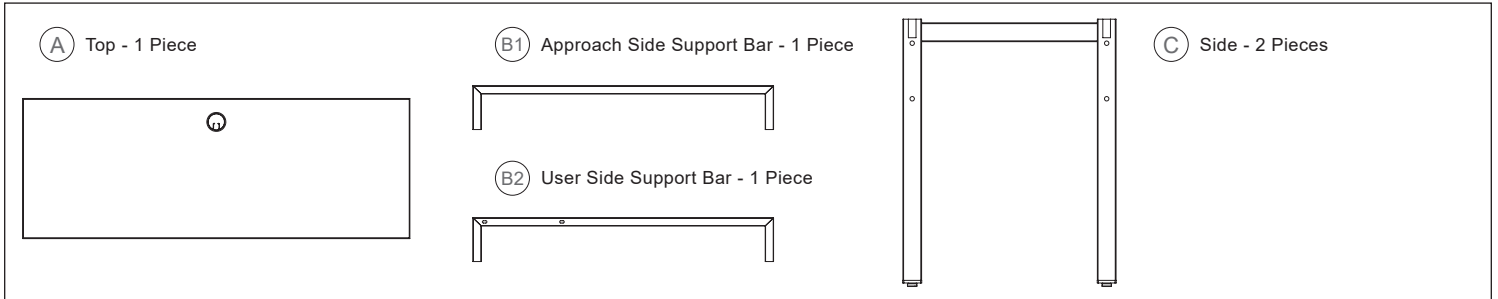
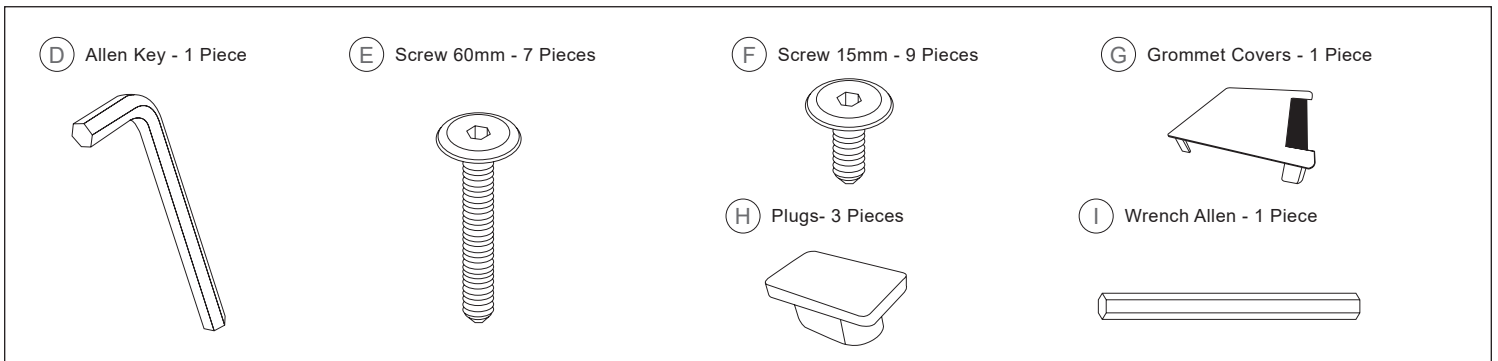


**Congratulations on the purchase of your new *Signature Series* product!**

COMPONENTS



HARDWARE & TOOLS

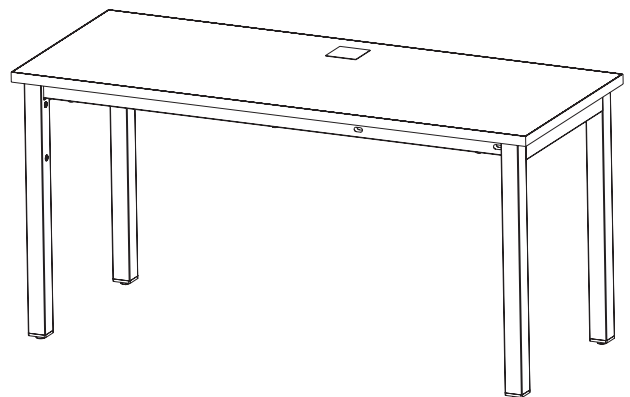
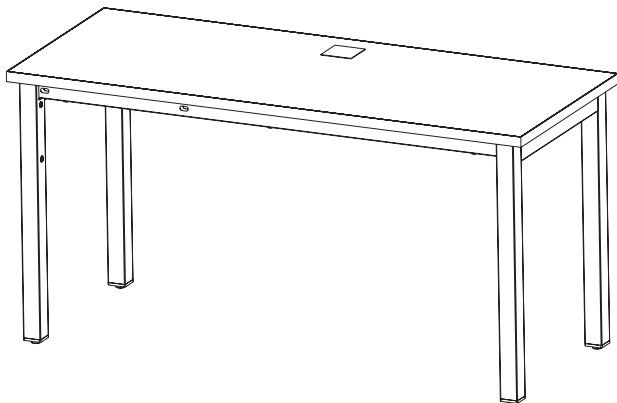


INSTRUCTIONS

**\*NOTE:** If attaching a Bridge or Return, position holes in User Side Support Bar (B2) in the position desired as shown below.

*If attaching a Bridge or Return, position holes in User Side Support Bar (B2) in the position desired as shown below.*

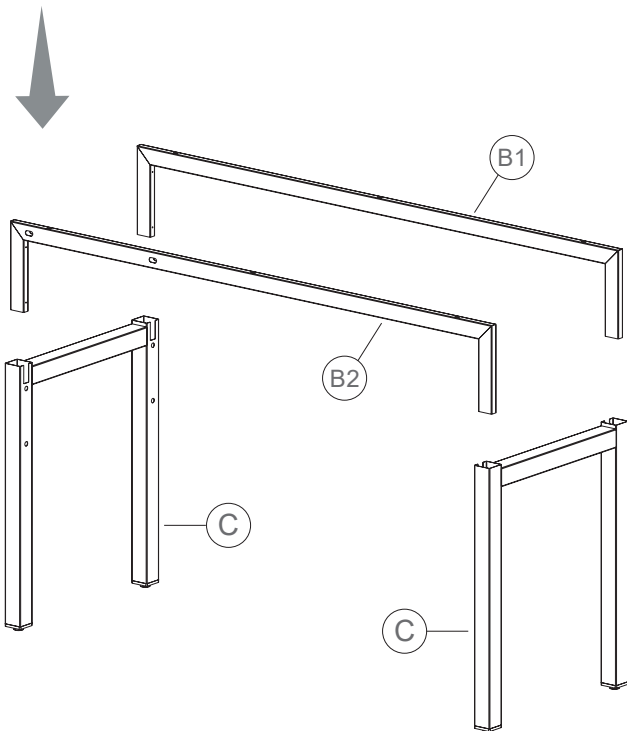
*Position User Side Support Bar for Right Return or Bridge.*



Congratulations on the purchase of your new *Signature Series* product!

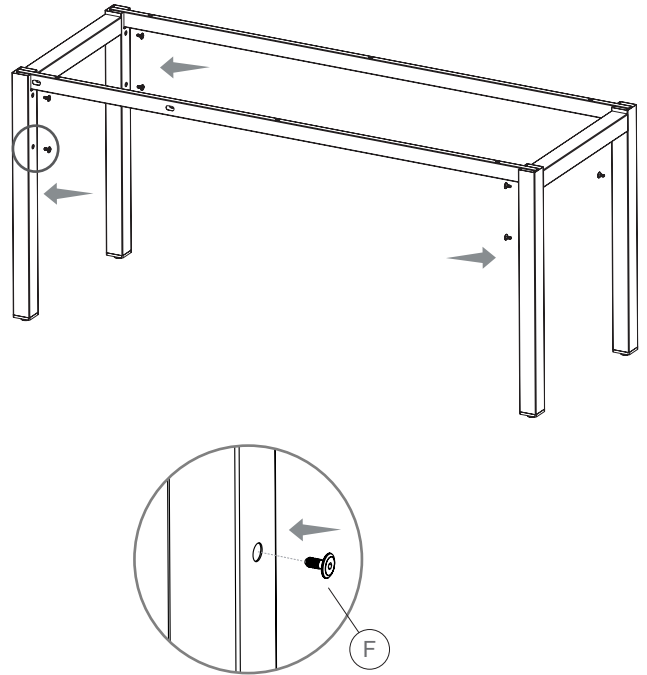
INSTRUCTIONS

STEP 1



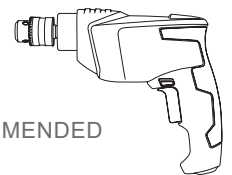
Slide Support Bars (B1) & (B2) into Sides (C) .

STEP 2



Secure assembly using Screws (F) and Allen Key (D) .

DRILL RECOMMENDED

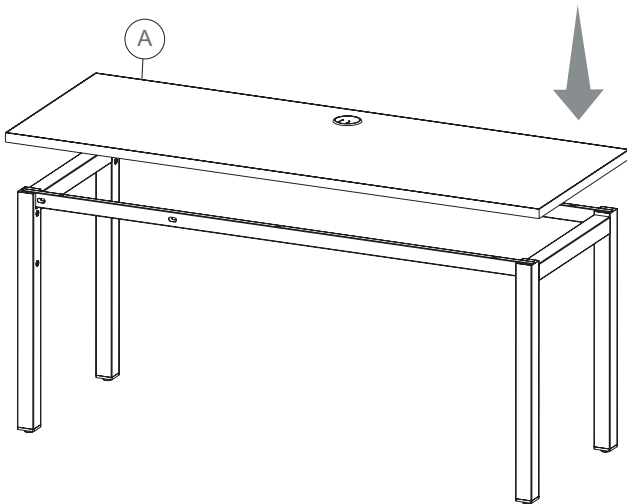


**Congratulations on the purchase of your new *Signature Series* product!**

INSTRUCTIONS

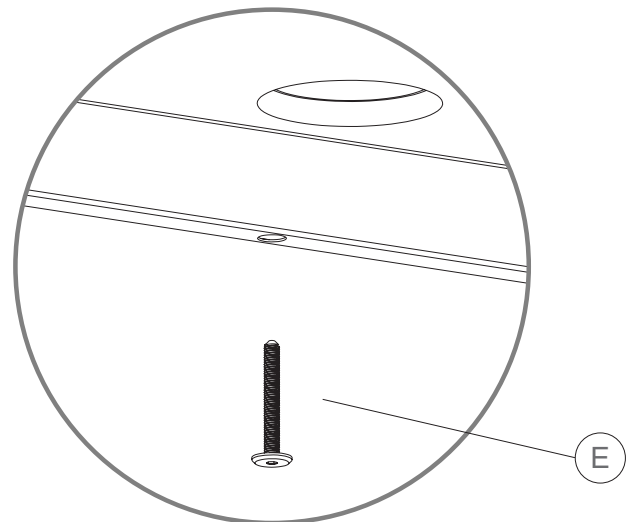
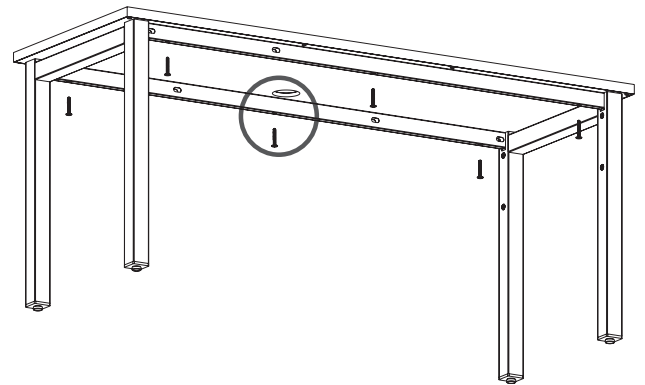
STEP 3

**\*NOTE: THE TOP MUST HAVE THE GROMMET IN DIRECTION TO THE SUPPORT BAR (B1).**



Place the top (A) on the structure

STEP 4



Secure Top (A) with Screws (E) and Allen Key (D).