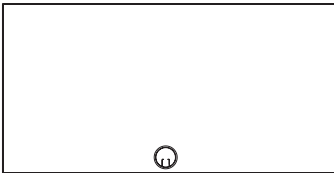


Congratulations on the purchase of your new *Signature Series* product!

COMPONENTS

(A) Cover - 1 Piece

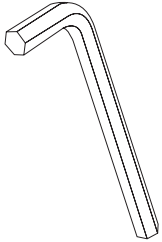


(B) Support Bar - 2 Pieces

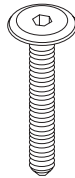


HARDWARE & TOOLS

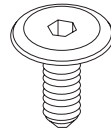
(D) Allen Key 4mm - 1 Piece



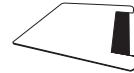
(D) Screw 50mm - 5 Pieces



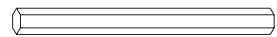
(E) Screw 35mm - 5 Pieces



(L) Grommet Covers - 1 Piece

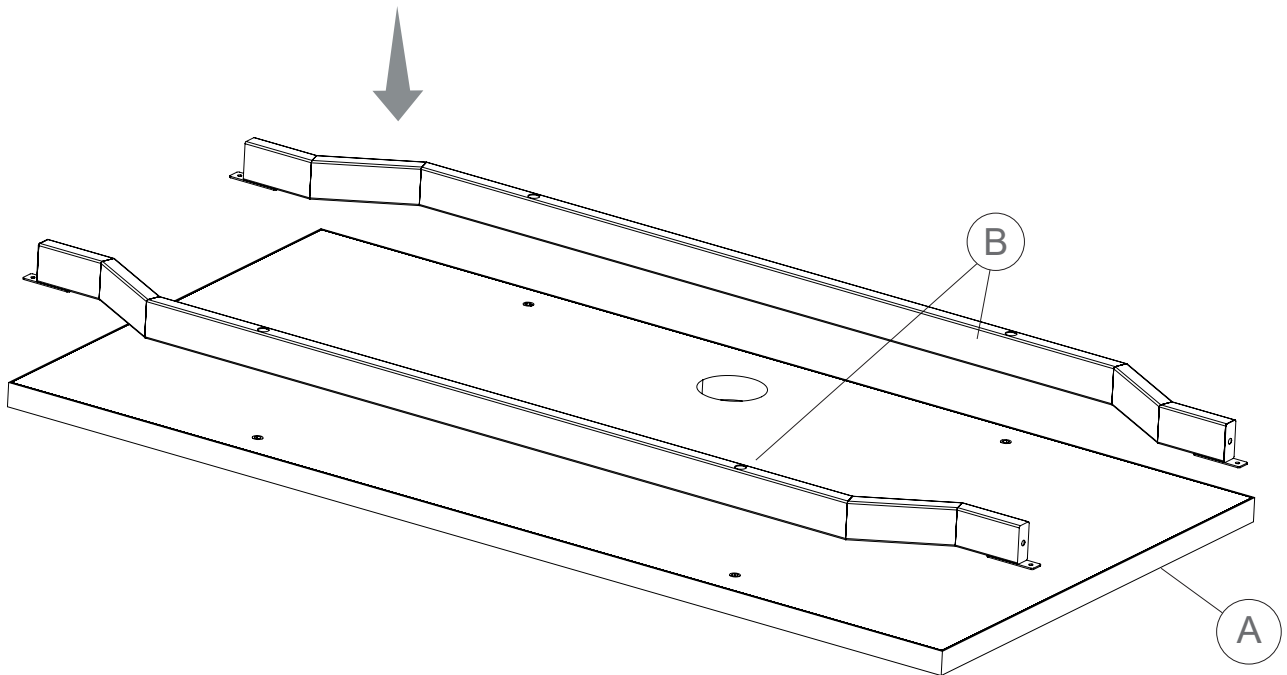


(J) Wrench Allen 4mm - 1 Piece



INSTRUCTIONS

STEP 1

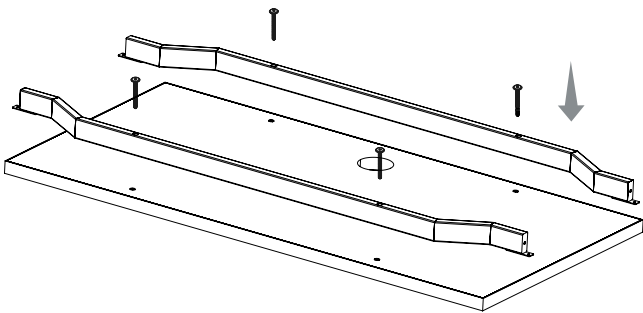


Position the Support Bars (B) on the underside of the Top (A) aligning the holes in the support bars with inserts in Top (A).

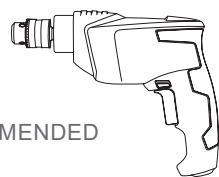
Congratulations on the purchase of your new *Signature Series* product!

INSTRUCTIONS

STEP 2

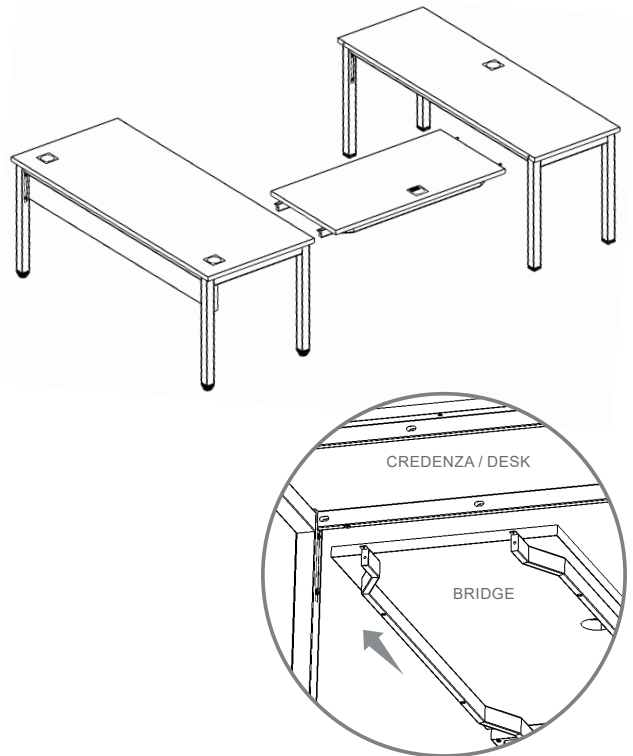


Fasten Support Bars (B) to the Top (A) with Screws (D) .



DRILL RECOMMENDED

STEP 3



Once the bridge is assembled, align the inserts in the support bars with the slots in the credenza and desk.

Fasten with Screws (D) .

